

38

8385 A 01

Multimodul™ connectors, pitch 2.5 mm

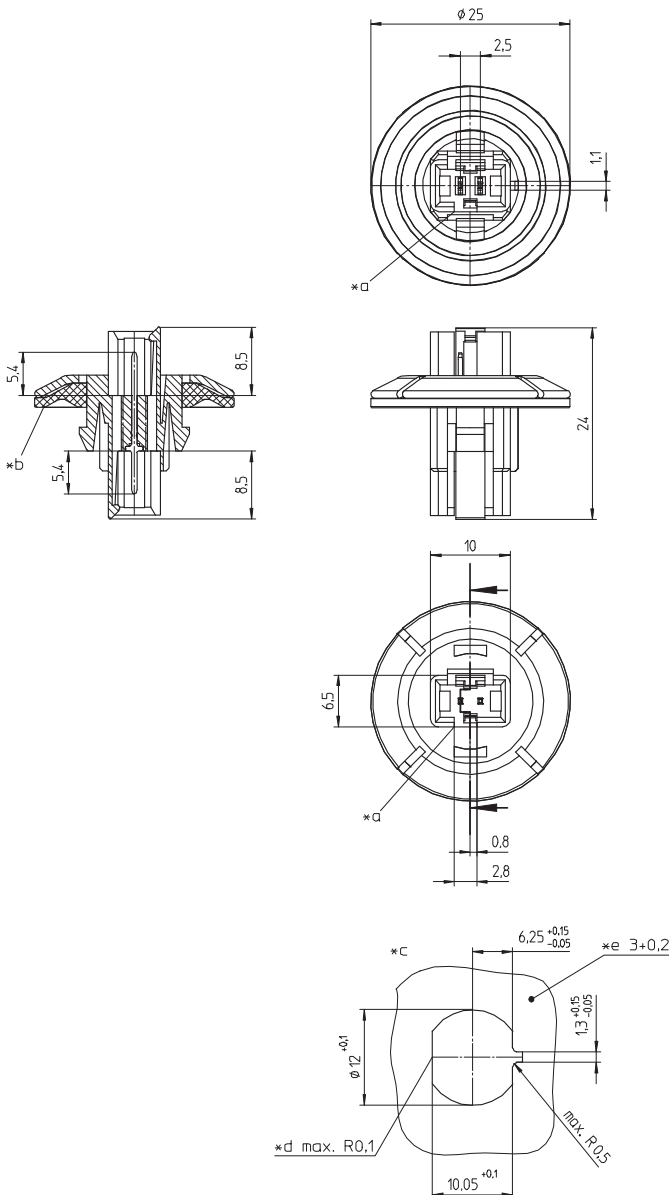


Double Multimodul™ chassis pin header as feed-through connector, with locking latches and gasket

State: Active

38

8385 A 01



- *a keying groove position
- *b gasket
- *c port in mounting plate
- *d maximum edge rounding
- *e thickness of mounting plate

Environmental conditions

Temperature range -40 °C/+120 °C

Materials

Insulating body PBT, V-0 according to UL94
 Contact pin CuZn, pre-nickel and tin-plated
 Seal EPDM

Mechanical data

Retaining force contact in insulating body > 40 N
 Further data proposed keyings on request

Electrical data (at T_{amb} 20 °C)

Material group IIIa (CTI ≥ 175)
 Creepage distance ≥ 1,6 mm
 Clearance ≥ 1,6 mm
 Insulation resistance > 1 GΩ

Associated products

Counterparts
 ☞ 2,54 MKB ☞ 2,54 MKBL ☞ 3820
 ☞ 3821 ☞ 3823 ☞ 4143 01

38

8385 A 01

Designation	Pole Number	PU (Pieces)	MDQ (Pieces)
8385 A 01	2	500	500

Packaging:

in bulk, in a cardboard box