



POWER MANAGEMENT GROUP
14930 East Alondra Blvd, La Mirada, CA 90638-5752
TEL: (714) 994-6500 FAX: (714)994-3013

BR250-S0105

General

Contact Arrangement: 1PDT (1 Form C)

Weight: 1.6 oz approx.

Performance

Contact Rating:

Resistive: 25 Amps @ 28 VDC

Inductive:

- 10 Amps @ 28 VDC

Motor:

- 10 Amps @ 28 VDC

Lamp:

- 5 Amps @ 28 VDC

Life: 20,000 operations minimum @ rated resistive load, 220°C

Pull In Power: 500 mw approx.

Operate/Release Time:

Excluding bounce time at nominal coil voltage

DC Coil: 15 ms max

Contact Bounce Time: 1 ms max @ rated contact load, 28 VDC

Contact Voltage Drop:

Before Life: 150 mv max @ 25 Amps and 6 VDC

After Life: 175 mv max @ 25 Amps and 6 VDC

Environmental

Temperature Range: -40°C to +220°C

Vibration: 0.12" DA 10 - 70 Hz, 30 G's 70 - 3,000 Hz

Shock (Operating): 200 G's 6 ms

Note: Only online copies of this document are controlled. Printed copies are for reference purposes.

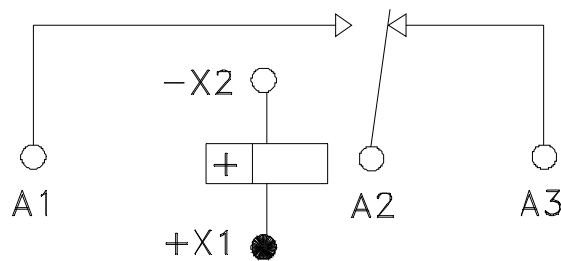
Electrical Characteristics

Duty Cycle: Continuous
Insulation Resistance: 100 megohms @ 500V 25°C
Dielectric Strength:
 Sea Level:
 Contact to Case 1,250 VRMS
 Contact to Coil 1,250 VRMS
 Coil to Case 1,000 VRMS
 Across Open Contacts 1,250 VRMS
 80,000 Feet:
 All Points 350 VRMS

	Nominal Coil Voltage	Maximum Coil Voltage	Pull In Voltage (Max @ +220°C)	Drop Out Voltage (Max)	Coil Resistance ±10% @ 25°C
BR250-S0104	28 VDC	29 VDC	24VDC	7.5 VDC	320 OHMS

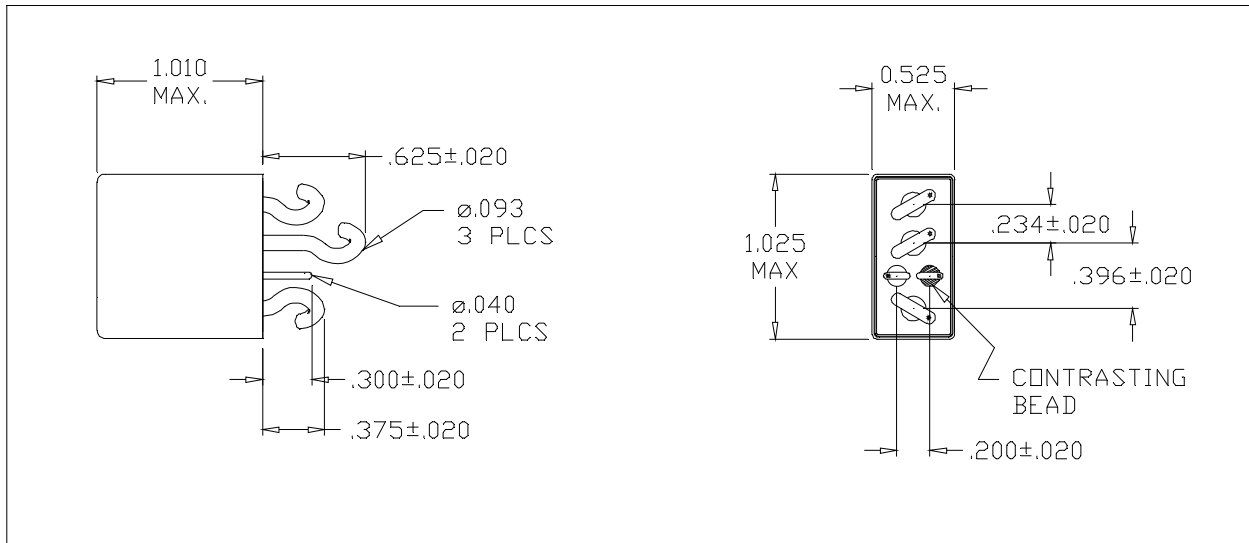
Schematic Terminal Views

Numbers for reference only.



CIRCUIT

Note: Only online copies of this document are controlled. Printed copies are for reference purposes.

**General Notes**

- Unless otherwise specified, all tests made at nominal coil voltages, @ 25°C.
- Unless otherwise specified, tolerances on decimal dimensions are $\pm .010$ ".
- Specifications contained herein are subject to change without notice.

Note: Only online copies of this document are controlled. Printed copies are for reference purposes.