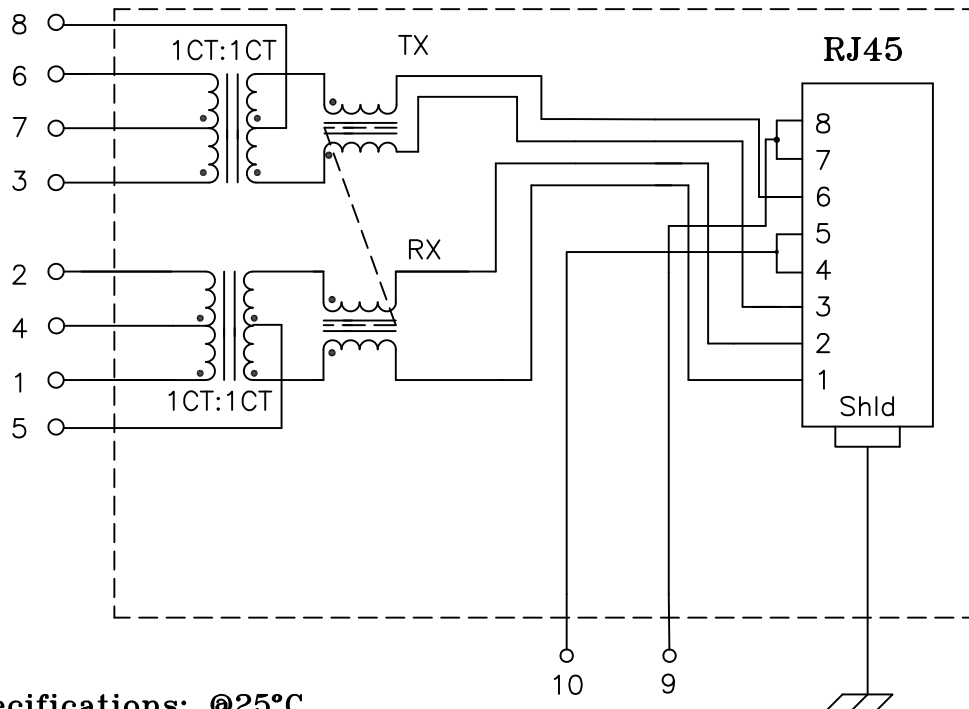


Schematic:



Electrical Specifications: @25°C

Isolation Voltage: 2250 Vdc/60 Secs (Input to Output)

Isolation Voltage: 500 Vrms (P1+2+4 to P3+6+7)

Isolation Voltage: 500 Vrms (P9+10 to J1+3 & P8)

Isolation Voltage: 500 Vrms (P9 to P10)

Turns Ratio: TX 1CT:1CT ±3% RX 1CT:1CT ±3%

Q: 10 Min @100KHz 0.1V

Insertion Loss: -1.2dB Max @1-100 MHz

Return Loss: 1-30MHz 40MHz 50MHz 60-80MHz
-16dB -14dB -13dB -12dB (Min)

Differential to Common Mode Rejection:

30MHz	60MHz	100MHz
-50dB	-43dB	-35dB (Min)

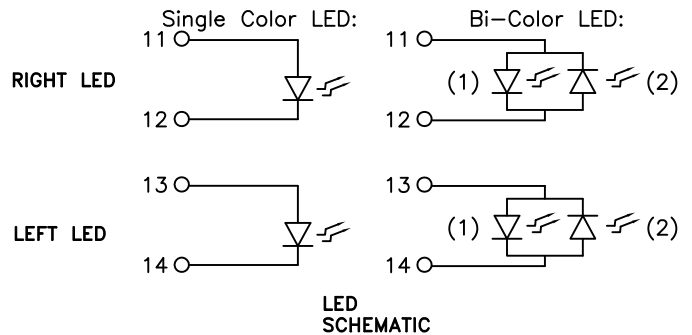
Cross Talk: 30MHz	60MHz	100MHz
-43dB	-37dB	-33dB (Min)

Balanced DC Line Current: 700mA Max @57Vdc continuous Pins 5,8
1200mA Max @57Vdc for 200milliseconds Pins 5,8

DC Current: 1.5A/pin, J4,5,7&8.

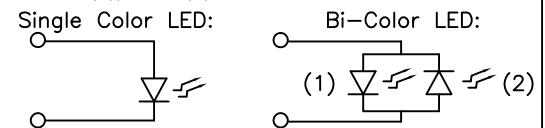
Notes:

- Solderability: Leads shall meet MIL-STD-202G, Method 208H for solderability.
- Flammability: UL94V-0
- ASTM oxygen index: > 28%
- UL Recognized Component: File Number E165866
- Operating Temperature Range: All listed parameters are to be within tolerance from -40°C to +85°C
- Storage Temperature Range: -55°C to +125°C
- Aqueous wash compatible
- Electrical and mechanical specifications 100% tested
- RoHS Compliant Component



Complete the Combo P/N as follows:

Replace 'x' & 'u' in the part number with one of the LED color letters:
Y=Yellow
G=Green
A=Amber
R=Red
C=Green(1)/Amber(2) Bicolor
D=Amber(1)/Green(2) Bicolor
M=Green(1)/Yellow(2) Bicolor
N=Yellow(1)/Green(2) Bicolor
P=Red(1)/Green(2) Bicolor
Q=Green(1)/Red(2) Bicolor
E=Red(1)/Yellow(2) Bicolor
F=Yellow(1)/Red(2) Bicolor
H=Amber(1)/Yellow(2) Bicolor
J=Green(1)/Green(2) Bicolor



DOC. REV: A/2

PROPRIETARY:

Document is the property of XFMRs Group & is not allowed to be duplicated without authorization.

XFMRs Inc.
www.XFMRs.com

Title: 2X4 POE Stacked Combo with dual Rows LED

UNLESS OTHERWISE SPECIFIED

P/N: XFVOIP5E-STKVDxu8-4 REV. A

TOLERANCES:

DWN.	Yuan	Sep-20-12
------	------	-----------

.xxx ±0.010

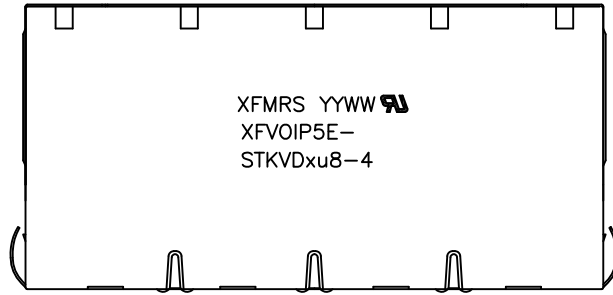
CHK.	YK Liao	Sep-20-12
------	---------	-----------

Dimensions in Inch

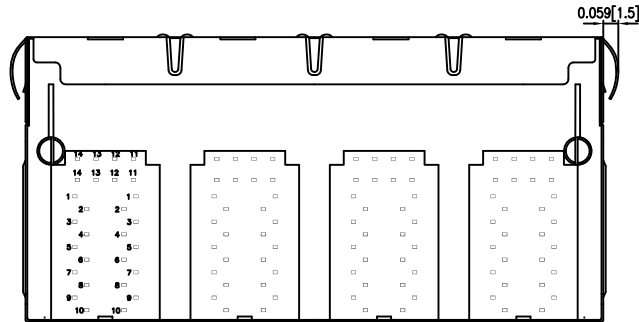
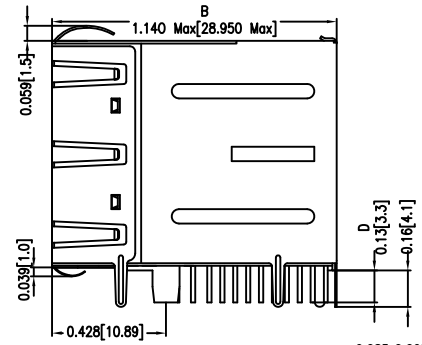
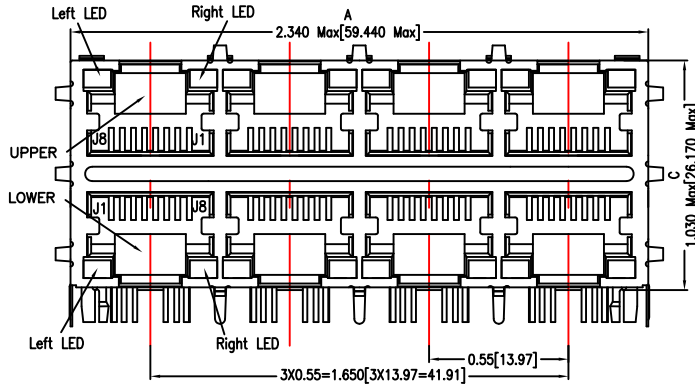
APP.	BW	Sep-20-12
------	----	-----------

SHEET 1 OF 2

Mechanical Dimensions:



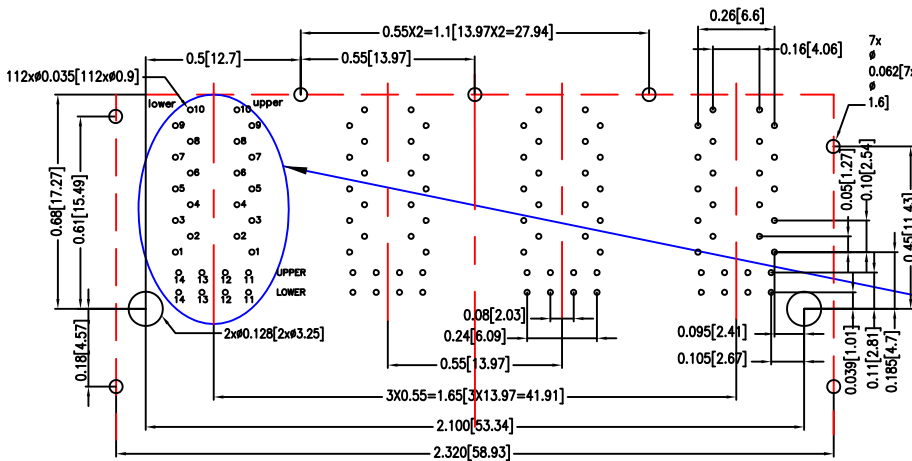
Top view



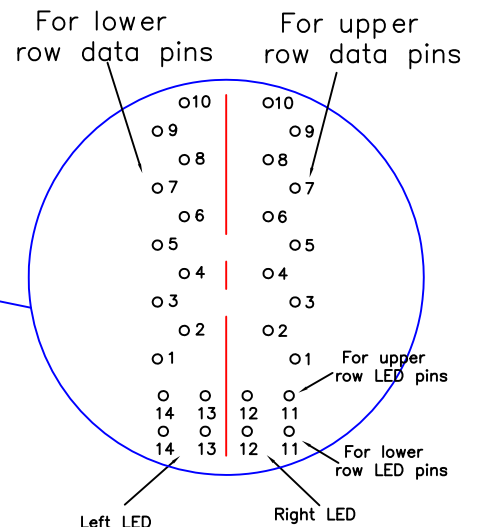
Bottom view

RECOMMENDED PANEL CUT OUT

TO TOP OF PCB



P.C.B RECOMMENDED HOLE LAYOUT SEEN FROM COMPONENT SIDE



Pin-out Assignment

XFMRS Inc.
www.XFMRS.com

Title: Mechanical Dimensions For 2x4 Stacked COMBO with Vertical Dual lines Pins

UNLESS OTHERWISE SPECIFIED TOLERANCES:
.xxx ±0.010[±0.25]
Dimensions in Inch[mm]

P/N: XFVOIP5E-STKVDxu8-4	REV. A
DWN. Yuan	Sep-20-12
CHK. YK Liao	Sep-20-12
APP. BW	Sep-20-12

DOC. REV: A/2

PROPRIETARY:

Document is the property of XFMRS Group & is not allowed to be duplicated without authorization.

SHEET 2 OF 2