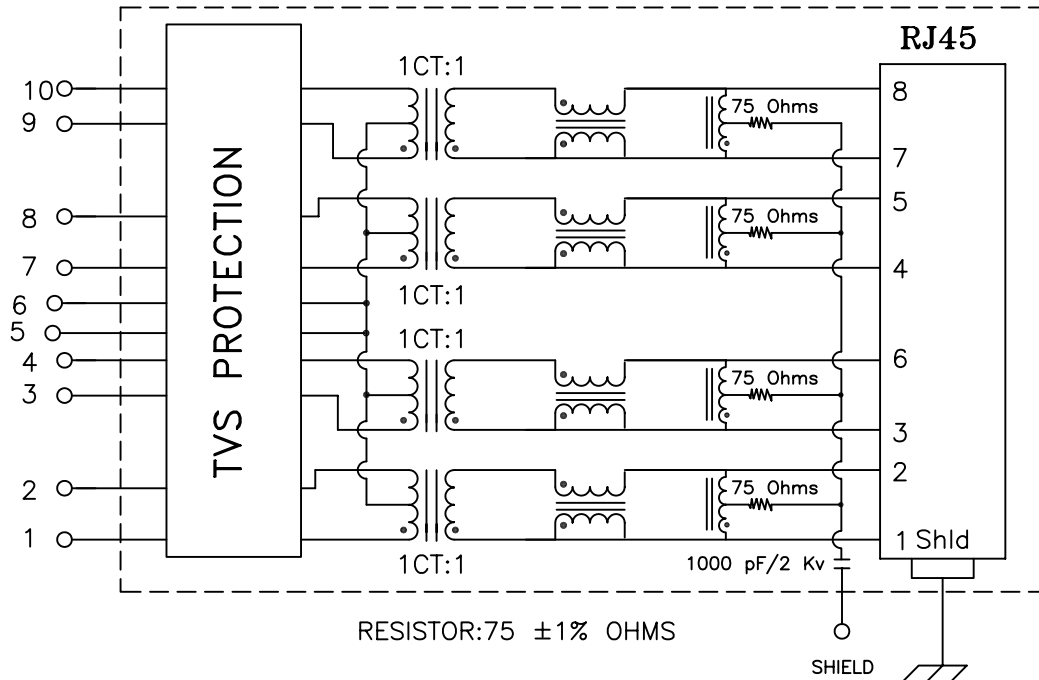


Schematic:



Electrical Specifications: @25°C

Isolation Voltage: 1500 Vrms (Input to Output)

OCL: 350uH MIN @100KHz 100mV 8mADC

TURNS RATIO: (PRI/SEC) 1CT:1CT ±2%

Q: 16 Min @100KHz 0.1V

Insertion Loss: -1.0dB Typ @1-100 MHz

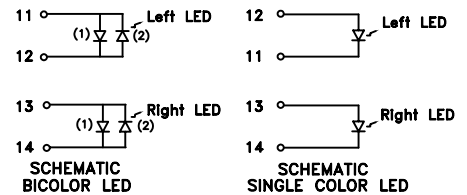
Return Loss: 1-30MHz 30-60MHz 60-80MHz
 -16dB 16-20 Log(f/30 MHz)dB -10dB (Min)

CMRR: 1-60MHz 60-100MHz
 -40dB -35dB (Min)

Cross Talk: 1-60MHz 60-100MHz
 -40dB -38dB (Min)

Notes:

- Solderability: Leads shall meet MIL-STD-202G, Method 208H for solderability.
- Flammability: UL94V-0
- ASTM oxygen index: > 28%
- UL Recognized Component: File Number E200238
- Operating Temperature Range: All listed parameters are to be within tolerance from -40°C to +85°C
- Storage Temperature Range: -55°C to +125°C
- Aqueous wash compatible
- Electrical and mechanical specifications 100% tested
- RoHS Compliant Component
- Designed to meet GR1089 Intra-Building Lightning Standard.

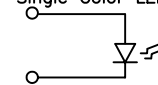


Complete the Combo P/N as follows:

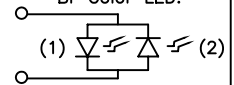
Replace 'x' & 'u' in the part number with one of the LED color letters:

Y=Yellow 'x' = Left LED Color
 G=Green 'u' = Right LED Color
 A=Amber
 R=Red
 C=Green(1)/Amber(2) Bicolor
 D=Amber(1)/Green(2) Bicolor
 M=Green(1)/Yellow(2) Bicolor
 N=Yellow(1)/Green(2) Bicolor
 P=Red(1)/Green(2) Bicolor
 Q=Green(1)/Red(2) Bicolor
 E=Red(1)/Yellow(2) Bicolor
 F=Yellow(1)/Red(2) Bicolor
 H=Amber(1)/Yellow(2) Bicolor
 J=Green(1)/Green(2) Bicolor

Single Color LED:



Bi-Color LED:



XFMRs Inc.
 www.XFMRs.com

Title: **SINGLE PORT COMBO**

UNLESS OTHERWISE SPECIFIED

P/N: XFGIG12NTVS-CTGxu4-4M REV. A

TOLERANCES:
 .xxx ±0.010

DWN.	Feng	Feb-16-11
CHK.	YK Liao	Feb-16-11

Dimensions in Inch

APP.	BW	Feb-16-11
------	----	-----------

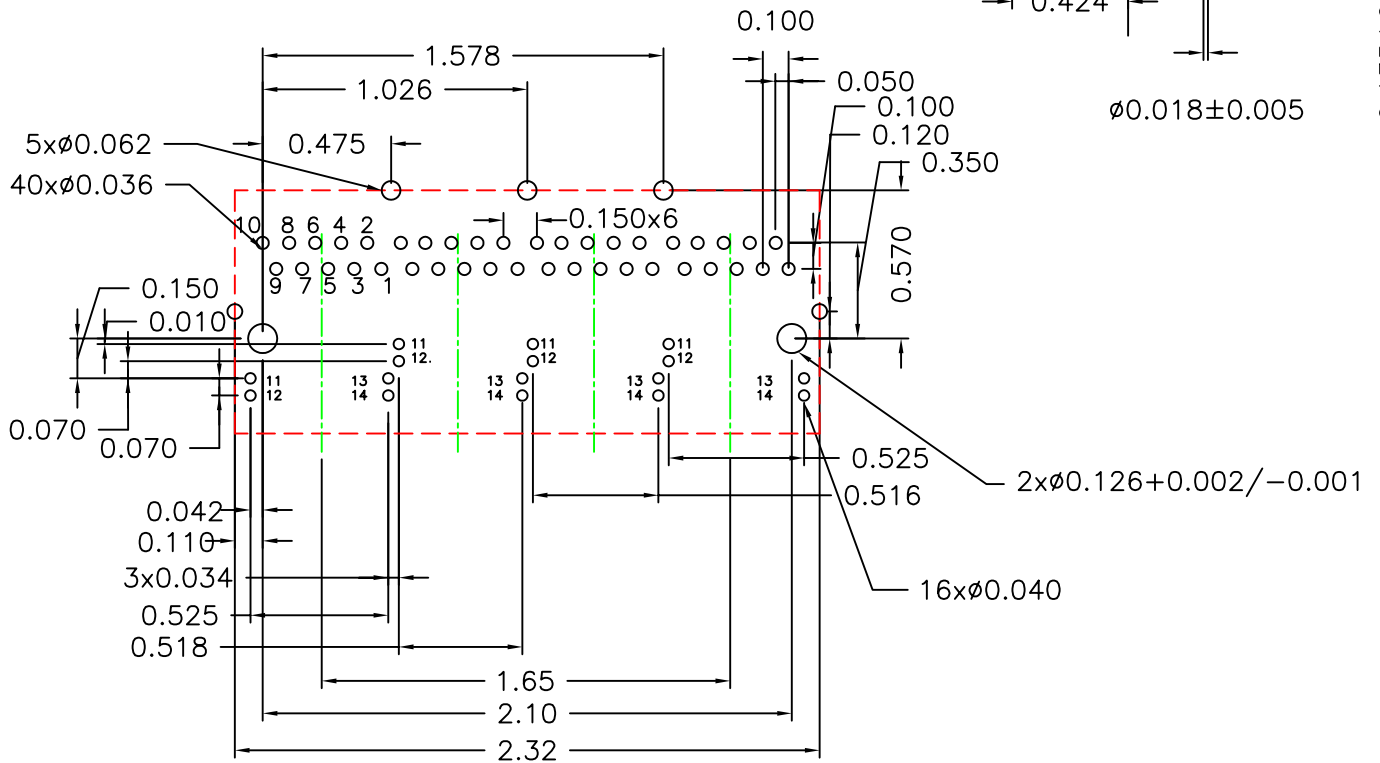
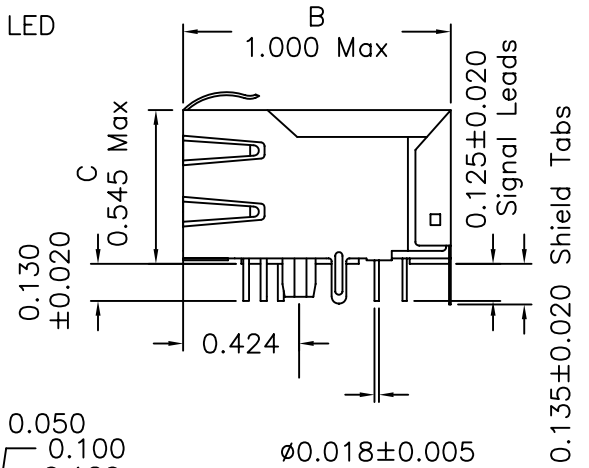
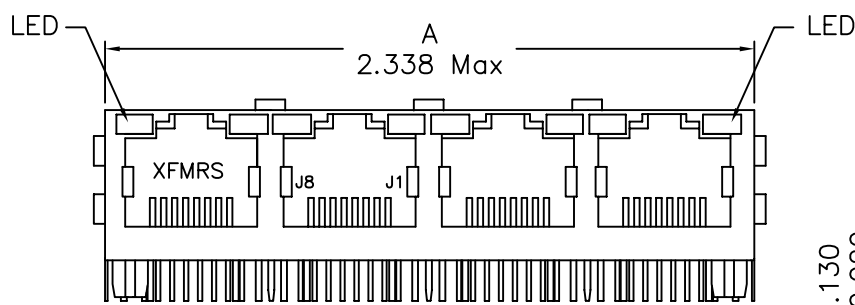
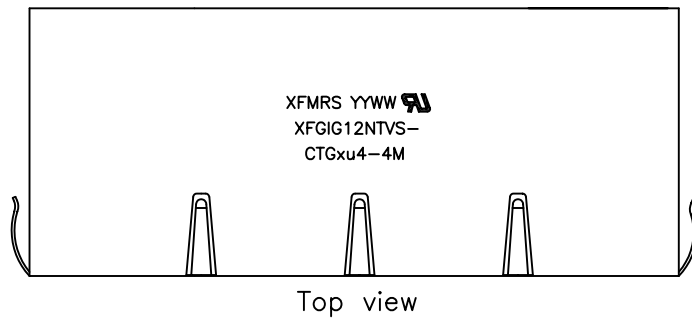
SHEET 1 OF 2

DOC. REV: A/2

PROPRIETARY:

Document is the property of XFMRs Group & is not allowed to be duplicated without authorization.

Mechanical Dimensions: (FOR CTGxu4-4M)



Four Port Suggested Footprint: (Top View)

XFMRS Inc www.XFMRS.com	Title: 1" FOUR PORT COMBO TAB UP			
	UNLESS OTHERWISE SPECIFIED TOLERANCES: .xxx ±0.010 Dimensions in Inch	P/N: XFGIG12NTVS-CTGxu4-4M	REV. A	
DOC REV: A/2		DWN.	Feng	Feb-16-11
		CHK.	YK Liao	Feb-16-11
		APP.	BW	Feb-16-11
SHEET 2 OF 2				

PROPRIETARY:
Document is the property of XFMRS Group & is not allowed to be duplicated without authorization.