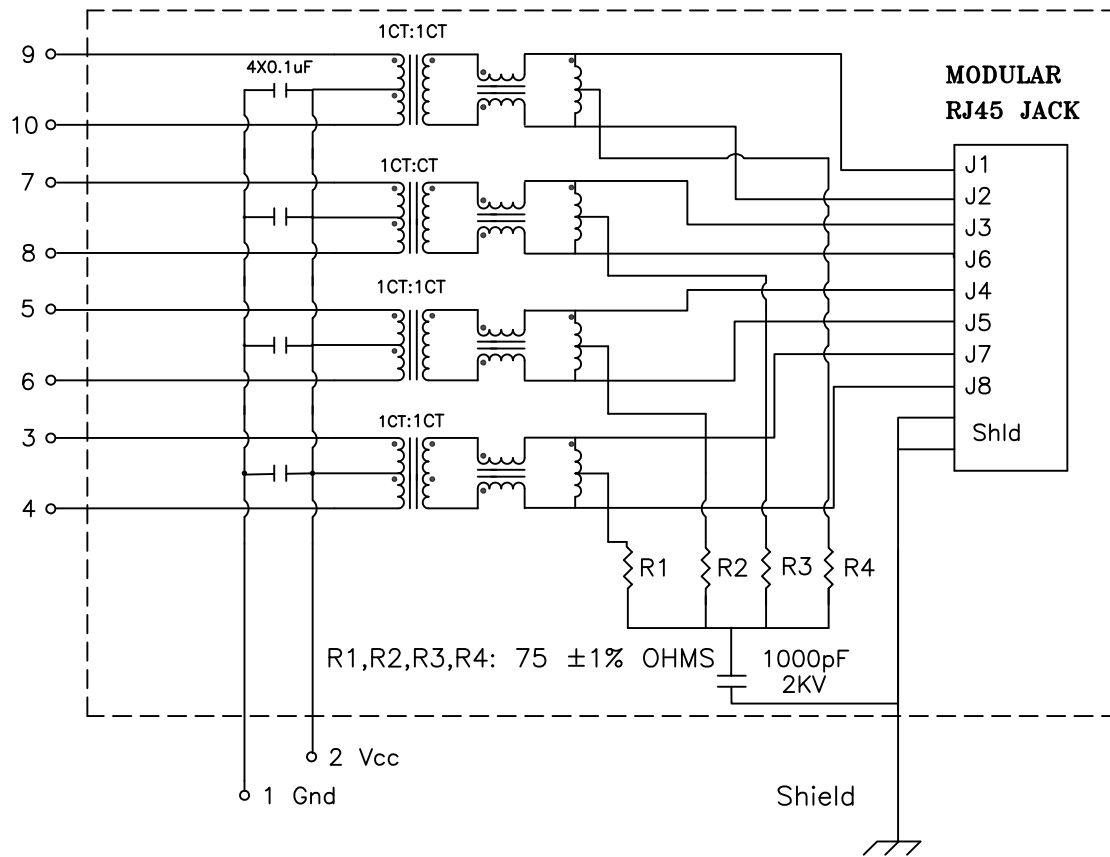
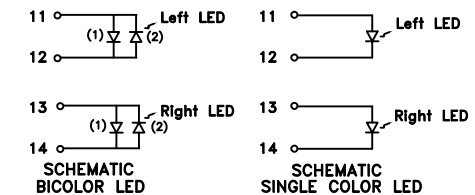


Schematic: (Two Ports)



Electrical Specifications: @25°C

- ISOLATION: 2250VDC
- URNS RATIO: (PRI/SEC) 1CT:1CT ±2%
- OCL: 350uH MIN @100KHz 100mV 8mADC
- RISE TIME: 2.50ns Max.
- INSERTION LOSS: -1.1dB Max @0.5MHz-100MHz
- RETURN LOSS: -18dB Min @0.5MHz-40MHz
-12-20LOG(f/80)dB Min @40.1Mhz-100MHz
- CROSSTALK: -35dB Min @0.5MHz-40MHz
-33-20LOG(f/50)dB Min @40.1Mhz-100Mhz
- COMMON MODE REJECTION: -30dB Min @0.5MHz-100MHz
- Q: 10 Min 100KHz 0.1V



Complete the Combo P/N as follows:

Replace 'x' & 'u' in the part number with one of the LED color letters:
 Y=Yellow 'x' = Left LED Color
 G=Green 'u' = Right LED Color
 A=Amber
 R=Red

C=Green(1)/Amber(2) Bicolor
 D=Amber(1)/Green(2) Bicolor
 M=Green(1)/Yellow(2) Bicolor
 N=Yellow(1)/Green(2) Bicolor
 P=Red(1)/Green(2) Bicolor
 Q=Green(1)/Red(2) Bicolor
 E=Red(1)/Yellow(2) Bicolor
 F=Yellow(1)/Red(2) Bicolor
 H=Amber(1)/Yellow(2) Bicolor

Single Color LED: Bi-Color LED:

Notes:

1. Solderability: Leads shall meet MIL-STD-202G, Method 208H for solderability.
2. Flammability: UL94V-0
3. ASTM oxygen index: > 28%
4. Insulation System: Class F 155°C. UL file E165866
5. Operating Temperature Range: All listed parameters are to be within tolerance from 0°C to +70°C
6. Storage Temperature Range: -55°C to +125°C
7. Aqueous wash compatible
8. Electrical and mechanical specifications 100% tested
9. RoHS Compliant Component

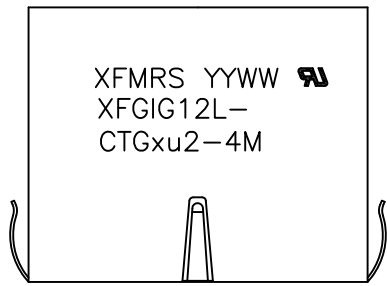
DOC. REV: A/2

PROPRIETARY:

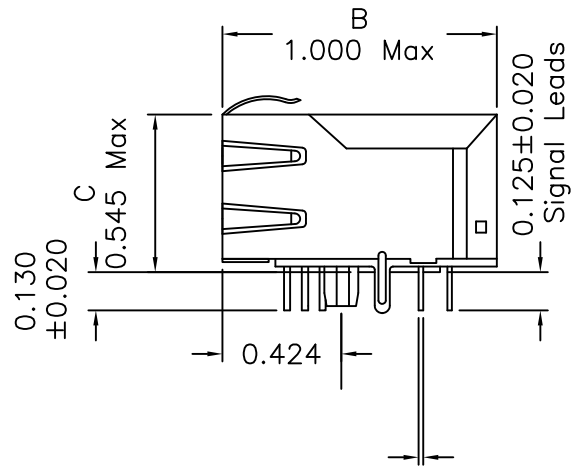
Document is the property of XFMRs Group & is not allowed to be duplicated without authorization.

XFMRs Inc www.XFMRs.com	Title: "1" DUAL PORT COMBO TAB UP			
	UNLESS OTHERWISE SPECIFIED TOLERANCES:	P/N: XFGIG12L-CTGxu2-4M	REV. A	
.xxx ±0.010	DWN.	Feng	Jul-09-12	
Dimensions in Inch	CHK.	YK Liao	Jul-09-12	
SHEET 1 OF 2	APP.	BSJ	Jul-09-12	

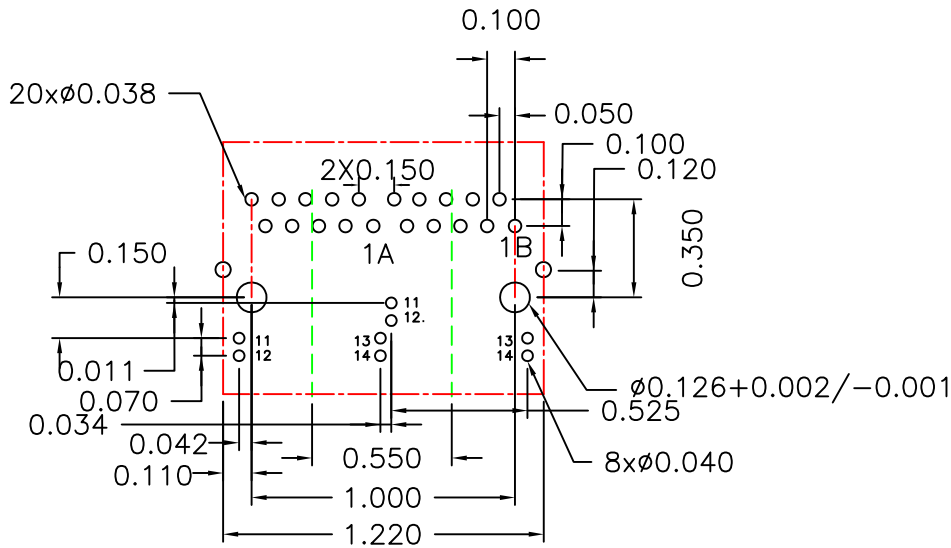
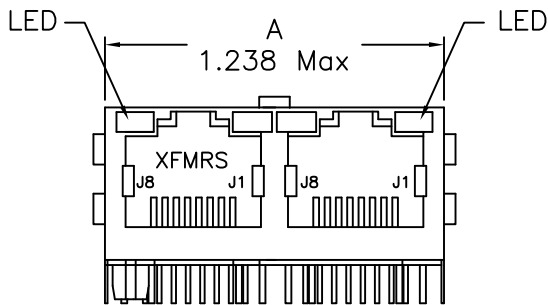
Mechanical Dimensions: (FOR CTGxu2-4M)



Top view



$\varnothing 0.018 \pm 0.005$



Suggested Footprint: (Top View)

DOC REV: A/2

XFMRs Inc
www.XFMRs.com

Title: "1" DUAL PORT COMBO
TAB UP

UNLESS OTHERWISE SPECIFIED
TOLERANCES:
.xxx ±0.010
Dimensions in Inch

P/N: XFGIG12L-CTGxu2-4M

REV. A

DWN.

Feng

Jul-09-12

CHK.

YK Liao

Jul-09-12

APP.

BSJ

Jul-09-12

PROPRIETARY

Document is the property of XFMRs Group & is not allowed to be duplicated without authorization.

SHEET 2 OF 2