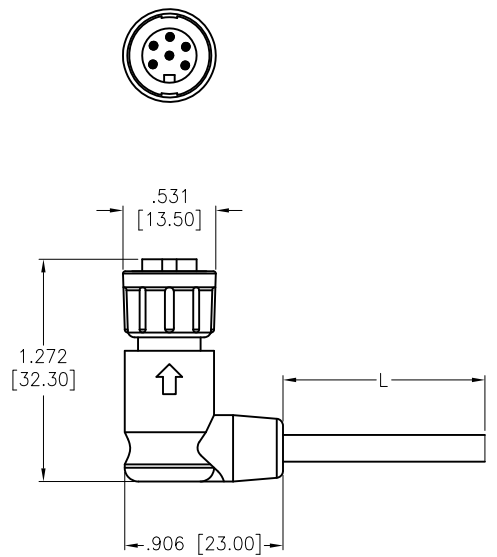


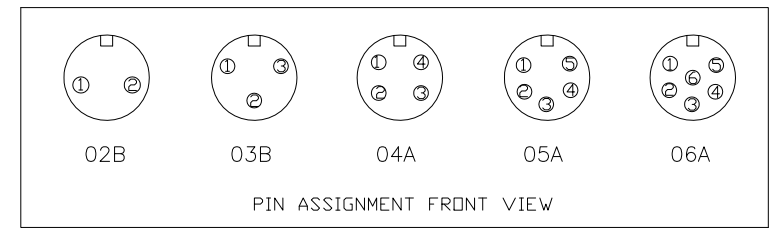
APPROVED: _____
 DATE: _____ TITLE: _____

Rev	AWO #	Description	Date	Appr
-		RELEASED	6/1/16	



SD-CAXXX-MMBBR-CXX-XFT
 7=IP67 A=UL2464

PART NO.	L
SD-CAXXX-MMBBR-CXX-3FT	36"±1.80" [914.4±45.72mm]
SD-CAXXX-MMBBR-CXX-6FT	72"±3.60" [1828.8±91.44mm]
SD-CAXXX-MMBBR-CXX-10FT	120"±6.00" [3048±152.4mm]



PART NAME	DESCRIPTION	COLOR
LOCK NUT	NYLON+GF	BLACK
CONTACT	BRASS, MALE PIN, GOLD FLASH	BLACK
CONNECTOR	MALE CONNECTOR	BLACK

SPECIFICATIONS:
 Electrical:
 Current rating: XXA=2A, XXB=5A
 Dielectric withstanding voltage: 500 VAC for 1 minute
 Temperature Rating:
 Operating temperature: -40°C to +105°C
 Environmental:
 Lead free, RoHS compliant.



UNLESS OTHERWISE SPECIFIED ALL DIMENSIONS ARE INCHES [MM] TOLERANCES: EXCEPT AS NOTED INCHES HOLES .X ±.10 Ø.X ±.10 .XX ±.020 Ø.XX ±.015 .XXX ±.015 Ø.XXX ±.010			ADAM TECH 909 Rahway Avenue, Union, NJ 07083 Phone: 908-687-5000 Fax: 908-687-5710		
APPROVALS DRAWN HR CHECKED CK APPROVED			DATE 6/1/16 6/1/16		
TITLE WATERPROOF CONNECTOR, MALE, A-SIZE CABLE, R/A, MOLDING TYPE			SIZE X		
PART NO. SD-CAXXX-MMBBR-CXX-XFT			REV. -		
REF: S00200T		SCALE: NTS		SHEET 1 OF 1	

6

5

4

3

2

1

6

5

4

3

2

1