

Kit Potentiometer Rotational Analog Displacement Sensor



FEATURES

- Conductive plastic potentiometer technology, infinite resolution
- Analog or digital output
- Low height
- High flexibility of wires
- Applicable standards: NFC 93255, MIL R39023

QUICK REFERENCE DATA

Sensor type	ROTATIONAL, conductive plastic
Output type	Output by wires
Market appliance	Industrial, avionics
Dimensions	16 mm, 18 mm, 22 mm, 23 mm, 27 mm, 40 mm, 85 mm

ELECTRICAL SPECIFICATIONS FOR KITPR016, KITPR018 (H22)

PARAMETER	KITPR016			KITPR018 (H22)					
	60°	88°	95°	200°	287° 30'	340°	340°	340°	350°
Total electrical travel	60°	88°	95°	200°	287° 30'	340°	340°	340°	350°
Useful electrical travel	20°	74°	95°	197°	230°	337°	340°	340°	348°
Linearity	± 0.5 %	± 0.5 %	± 0.5 %	± 0.5 %	± 0.25 %	± 0.1 %	± 0.25 %	± 0.5 %	± 0.1 %
Operating voltage	± 10 V ± 0.02 V								
Gradient	-	-	-	-	-	-	-	-	-
Total resistance range (R _n)	4.7 kΩ	4.7 kΩ	4.7 kΩ	470 Ω	2 kΩ	4.7 kΩ	2.2 kΩ	10 kΩ	10 kΩ
Tolerance on R _n	± 20 %	± 10 %	± 20 %	± 10 %	± 12.5 %	± 10 %	± 12.5 %	± 10 %	± 20 %
Output smoothness	≤ 0.1 %								
Power rating	0.1 W at 80 °C	0.2 W at 80 °C	-	-	0.75 W at 85 °C	-	0.75 W at 85 °C	-	-
Temperature coefficient	-300 ppm/°C ± 300 ppm/°C								
Wiper current	≤ 1 mA								
Recommended load impedance	≥ 1000 R _n								
Insulation resistance	≥ 1 GΩ at 100 V _{DC}			≥ 10 GΩ at 500 V _{DC}					
Dielectric strength	-			750 V _{RMS} , 50 Hz, 1 min					

ELECTRICAL SPECIFICATIONS FOR KITPR022 (PR22), KITPR023 (H27), KITPR027 (PR27), KITPR040, KITPR085

PARAMETER	KITPR022 (PR22)	KITPR023 (H27)	KITPR027 (PR27)	KITPR040	KITPR085			
Total electrical travel	130°	340°	120°	124°	330°	345°	100° ± 2°	25°
Useful electrical travel	120°	340°	90°	120°	180°	300°	90°	16°
Linearity	± 0.25 %	± 1 %	± 0.5 %	± 1 %	± 0.3 %	± 1 %	± 0.1 %	± 0.08 %
Operating voltage	± 10 V ± 0.02 V							
Gradient	-	-	-	-	-	-	0.2 V/° ± 0.2 %	0.8 V/° ± 0.1 %
Total resistance range (R _n)	5 kΩ	4.7 kΩ	2.2 kΩ	5 kΩ	4.7 kΩ	10 kΩ	10 kΩ	2.5 kΩ
Tolerance on R _n	± 10 %	± 10 %	-	± 10 %	± 10 %	± 10 %	± 10 %	± 20 %
Output smoothness	≤ 0.1 %							
Power rating	-	-	1.25 W at 70 °C	1.25 W at 70 °C	0.6 W at 70 °C	-	-	-
Temperature coefficient	-300 ppm/°C ± 300 ppm/°C							
Wiper current	≤ 1 mA							
Recommended load impedance	≥ 1000 R _n							
Insulation resistance	≥ 10 GΩ at 500 V _{DC}							
Dielectric strength	750 V _{RMS} , 50 Hz, 1 min				500 V _{RMS} , 50 Hz, 1 min			



MECHANICAL SPECIFICATIONS FOR KITPR016, KITPR018 (H22)		
PARAMETER	KITPR016	KITPR018 (H22)
Mechanical travel	-	-
Backlash	< 3'	-
Repeatability	-	-
Running and starting torque	≤ 2 cN.cm	≤ 3 cN.cm
Weight	0.7 g ± 0.1 g	4.2 g ± 0.5 g

MECHANICAL SPECIFICATIONS FOR KITPR022 (PR22), KITPR023 (H27), KITPR027 (PR27), KITPR040, KITPR085						
PARAMETER	KITPR022 (PR22)		KITPR023 (H27)	KITPR027 (PR27)	KITPR040	KITPR085
	TET = 130°	TET = 340°				
Mechanical travel	360°	-	-	360°	110° max.	-
Backlash	-	-	≤ 0.05°	-	< 0.02°	< 1.2°
Repeatability	-	-	-	-	< 0.01°	-
Running and starting torque	≤ 10 cN.cm	-	≤ 12 cN.cm	-	≤ 5.65 cN.cm	< 1.2 mN.m
Weight	≤ 10 g	-	≤ 15 g	-	12 g ± 1 g	75 g ± 5 g

PERFORMANCE FOR KITPR016, KITPR018 (H22)		
PARAMETER	KITPR016	KITPR018 (H22)
Operating temperature range	-46 °C to +71 °C	-55 °C to +125 °C
Storage temperature range	-46 °C to +71 °C	-55 °C to +125 °C
Rotation humidity (max.)	55 % ± 20 %	5 % to 95 %
Thermal deviation at U/2 over operational temperature range	-	-

Note

- Nothing stated herein shall be construed as a guarantee of quality or durability

PERFORMANCE FOR KITPR022 (PR22), KITPR023 (H27), KITPR027 (PR27), KITPR040, KITPR085						
PARAMETER	KITPR022 (PR22)	KITPR023 (H27)		KITPR027 (PR27)	KITPR040	KITPR085
		TET = 120°	TET = 124°			
Operating temperature range	-40 °C to +85 °C	-55 °C to +90 °C	-54 °C to +71 °C	-40 °C to +85 °C	-40 °C to +85 °C	-43 °C to +90 °C
Storage temperature range	-40 °C to +85 °C	-55 °C to +125 °C	-64 °C to +90 °C	-40 °C to +85 °C	-46 °C to +71 °C	-55 °C to +90 °C
Rotation humidity (max.)	-	-	-	-	5 % to 95 %	-
Thermal deviation at U/2 over operational temperature range	-	-	-	-	≤ 0.04 %	-

Note

- Nothing stated herein shall be construed as a guarantee of quality or durability

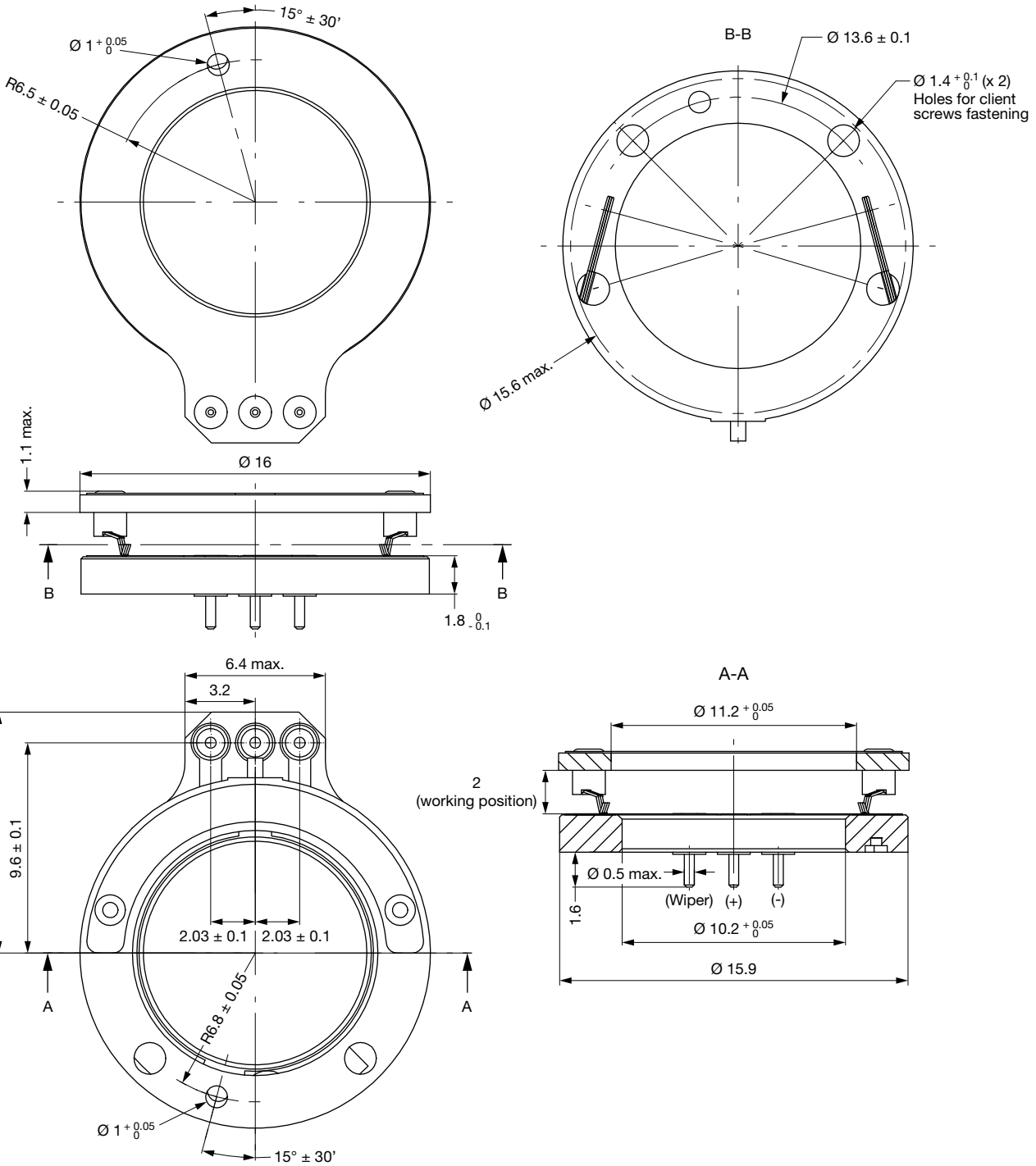
SAP PART NUMBERING GUIDELINES								
MODEL	TYPE	SIZE	FUNCTION	VALUE	LINEARITY	PACKAGING	3 DIGITS	
KITP	R = rotational	016	1	472 = 4K7	B = 0.5 %	B = box (1 piece)	To consult Vishay for dedicated 3 digits	
				103 = 10K	D = 0.1 %			
		018		202 = 2K0	C = 0.25 %			
				222 = 2K2	B = 0.5 %			
				471 = 470				
		022		472 = 4K7	A = 1 %			
				103 = 10K				
				472 = 4K7				
				502 = 5K0				C = 0.25 %
				502 = 5K0				A = 1 %
		023		222 = 2K2	B = 0.5 %			
				472 = 4K7	A = 1 %			
		027		040	085			P = 0.3 %
								103 = 10K
040	085	085	252 = 2K5	U				

Note

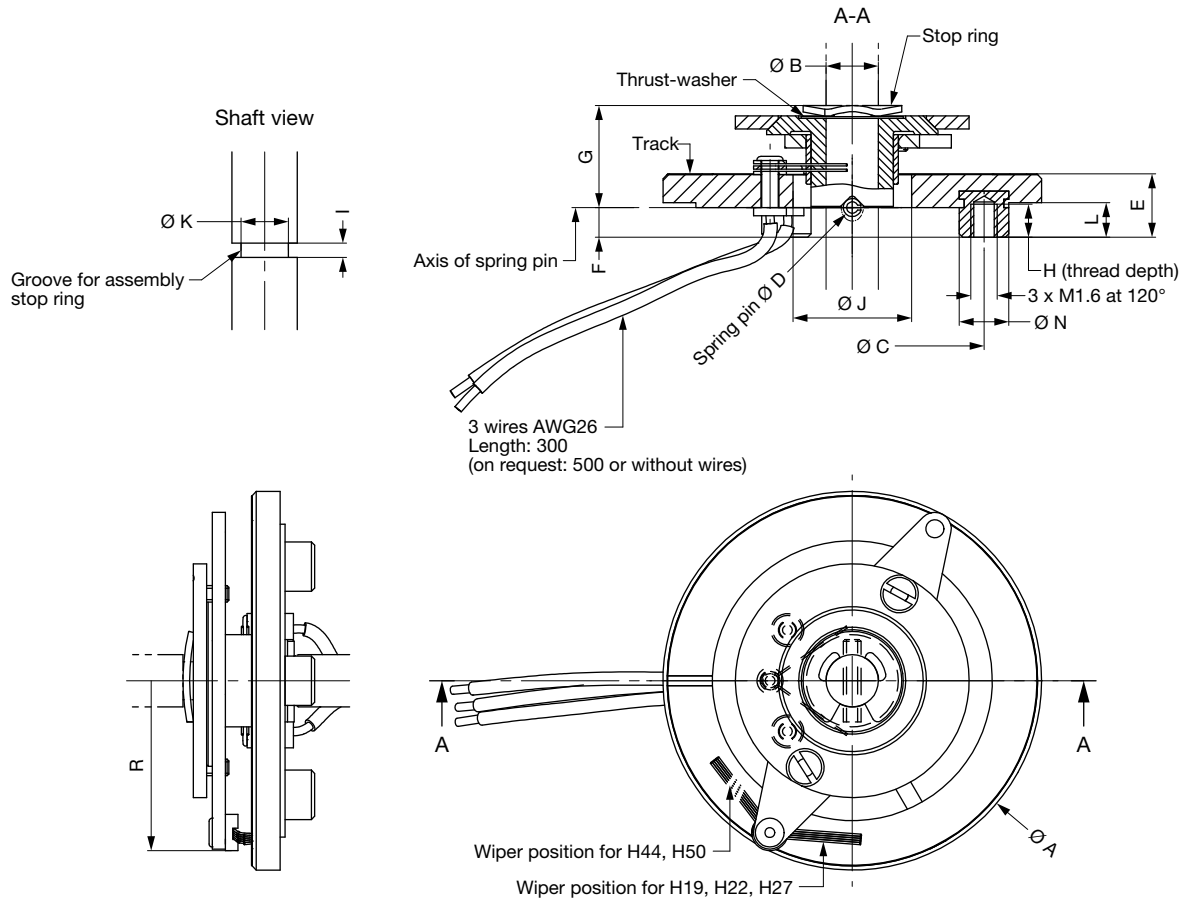
- See "Electrical Specifications" for the angle

DIMENSIONS in millimeters

KITPR016



DIMENSIONS in millimeters

KITPR018 (H22), KITPR023 (H27), KITPR035 (H44)


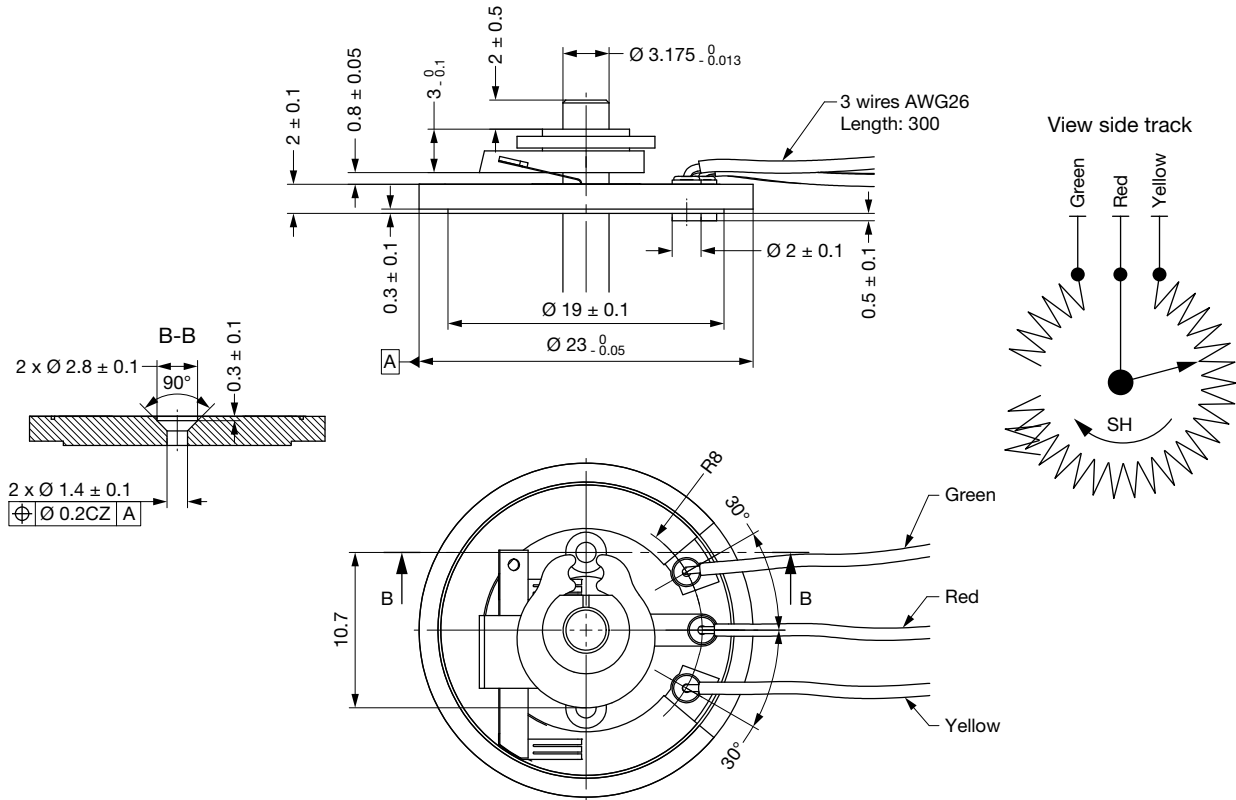
DIMENSION	TYPE			ON REQUEST	
	KITPR018 (H22)	KITPR023 (H27)	KITPR035 (H44)	KITPR015 (H19)	KITPR042 (H50)
A (0 / -0.05)	18	23	35	15	42
B (+0.012 / 0)	3.175	3.175	6.35	3.175	6.35
C \pm 0.1	12	16	28	11.5	34
D \pm 0.1	1	1	1.5	1	1.5
E \pm 0.2	3.8	3.8	5.8	5	6.8
F \pm 0.1	1.8	1.8	2.9	4.1	4.3
G (+0.1 / 0)	6.2	6.2	8.6	6.2	8.6
H _{min.}	2	2	3.5	2.5	3.5
I	0.7 (+0.05 / 0)	0.7 (+0.05 / 0)	1.05 (+0.07 / 0)	0.7 (+0.05 / 0)	1.05 (+0.07 / 0)
J \pm 0.05	7.2	7.2	11.2	5.7	13.2
K (+0.05 / 0)	2.3	2.3	4.8	2.3	4.8
L _{max.}	2.2	2.2	3.2	3.2	3.2
N _{max.}	3	3 ⁽¹⁾	4.1	3	3.9
R _{max.}	9.2	11.7	17.9	7.7	20.8

Note

- On request: \varnothing 2.5 with 3 x M1.2

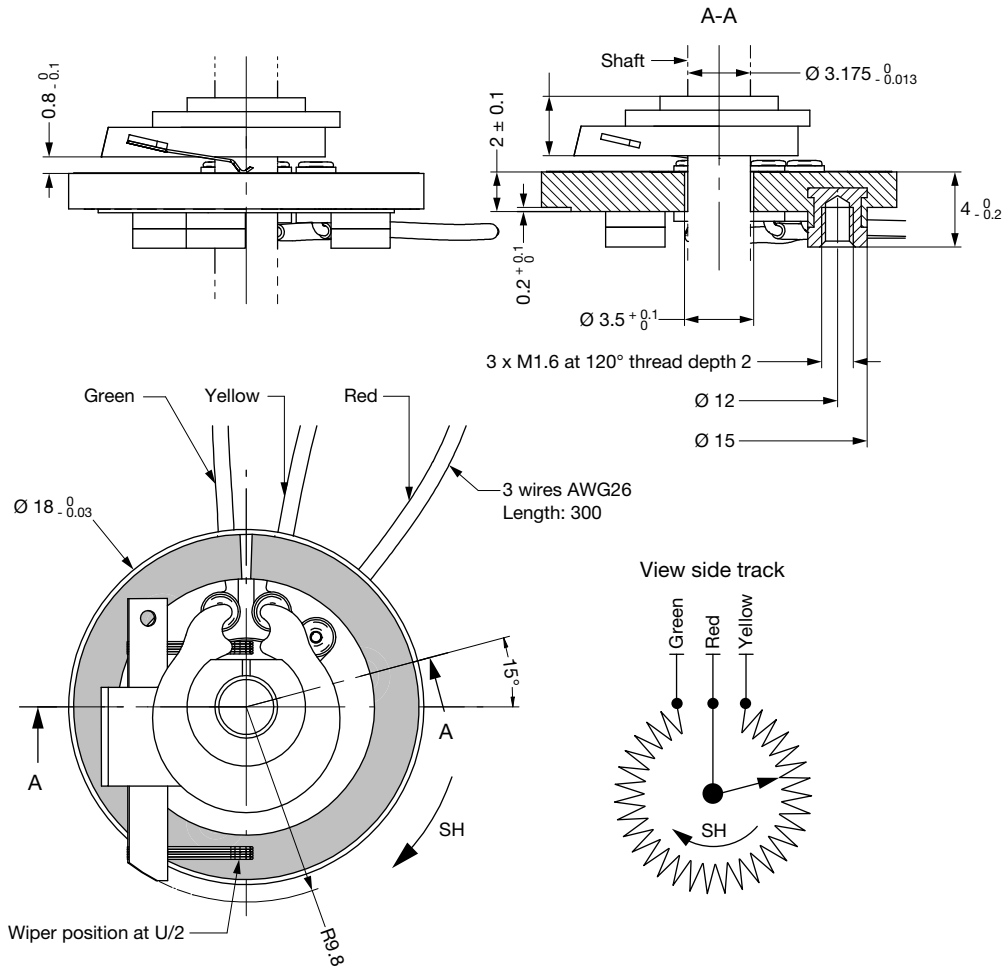
DIMENSIONS in millimeters

DESIGN ON REQUEST FOR KITPR023



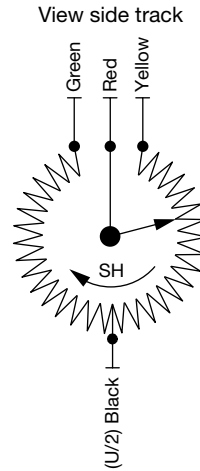
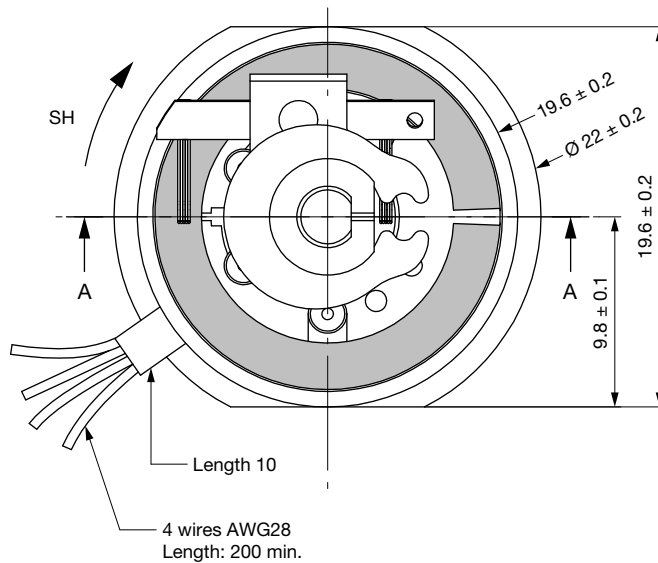
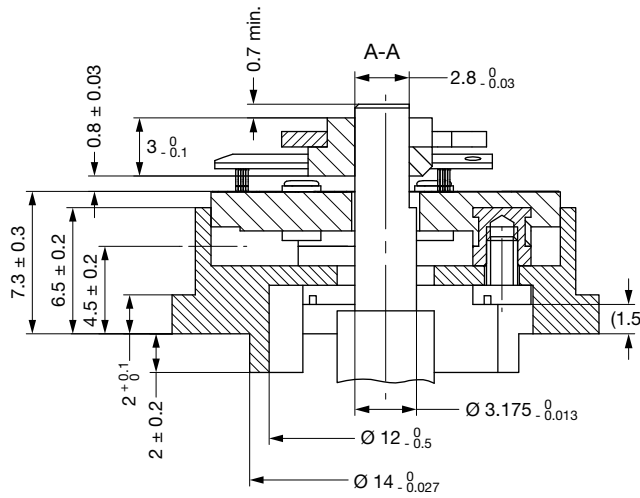
DIMENSIONS in millimeters

KITPR022



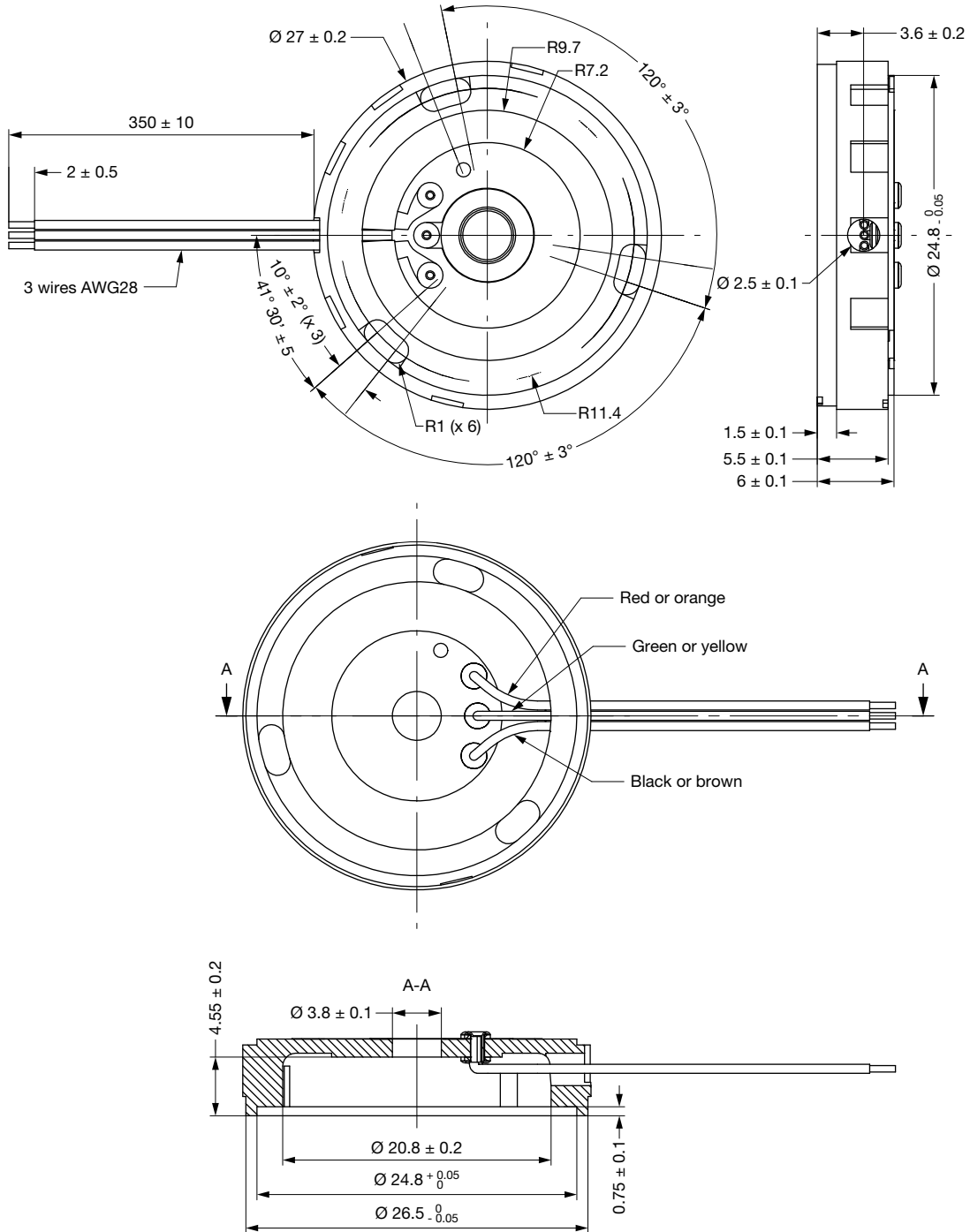
DIMENSIONS in millimeters

DESIGN ON REQUEST FOR KITPR022



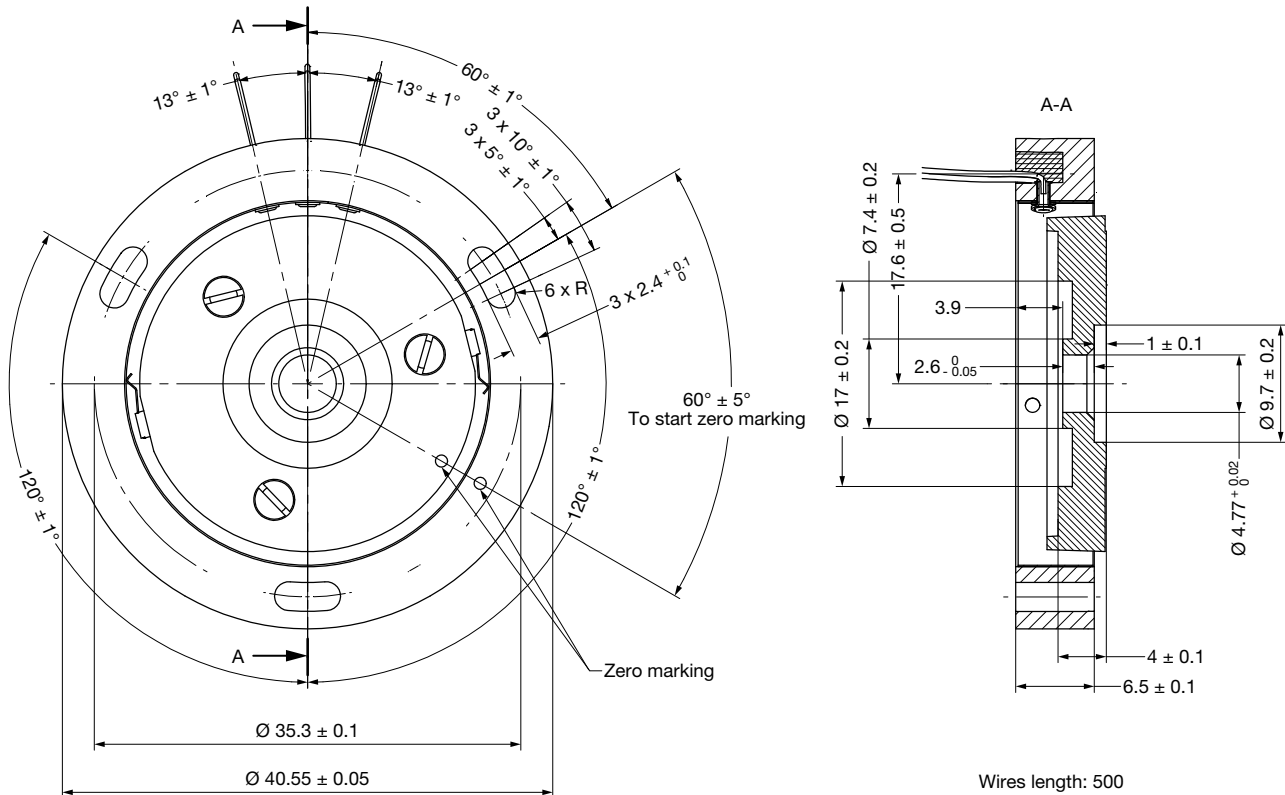
DIMENSIONS in millimeters

KITPR027

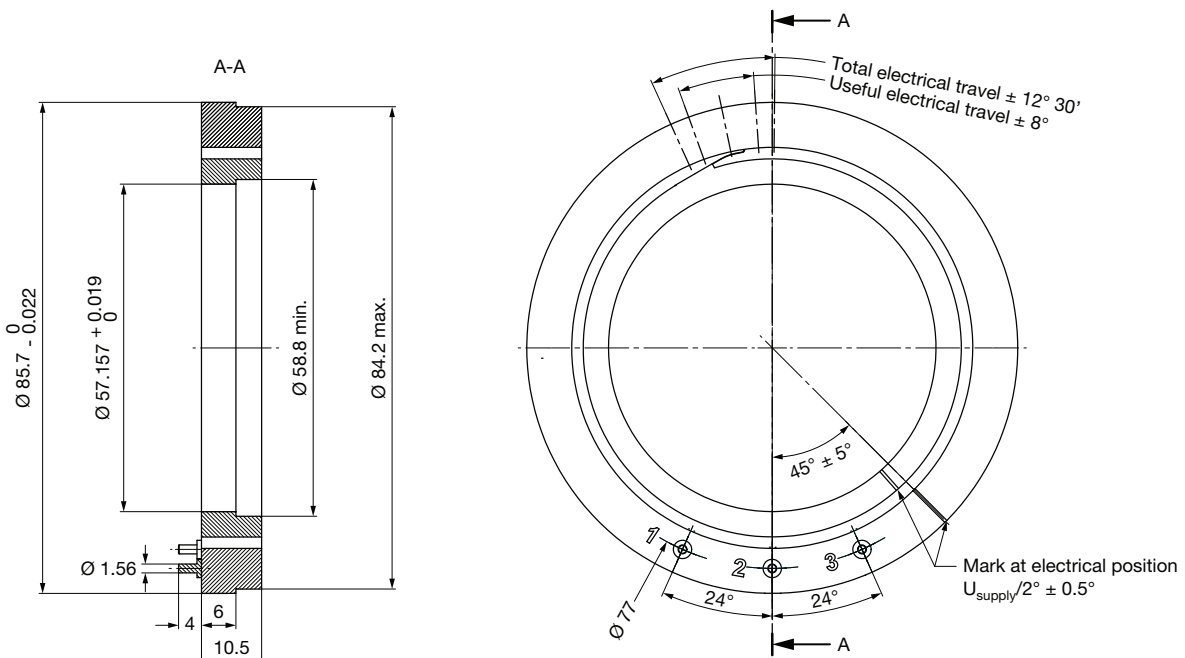


DIMENSIONS in millimeters

KITPR040 (Analog Output)



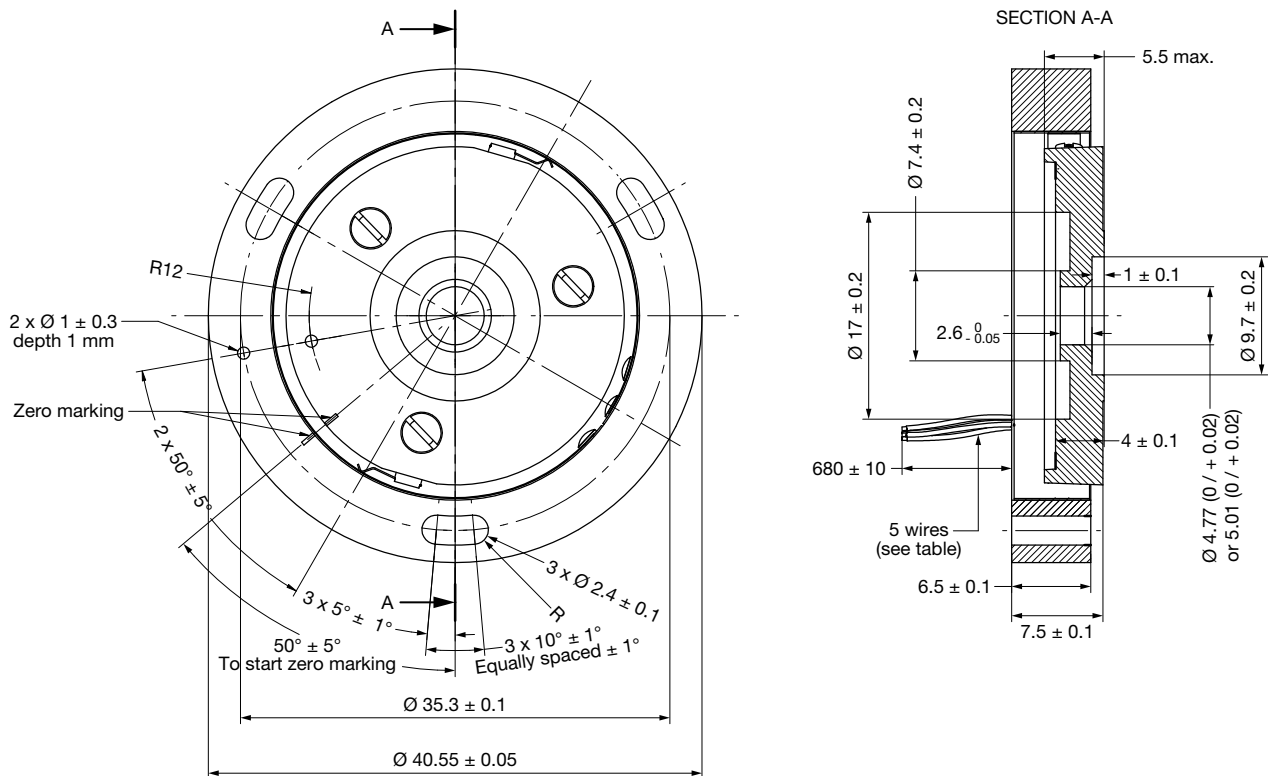
KITPR085 (Analog Output)



OPTIONS (on request)

- Other ohmic values (R_n)
- Other tolerances on R_n
- Other linearities
- Other theoretical electrical travels
- Other dimensions
- Middle tap: KITPR022 $U/2 \pm 1^\circ$
- KITPR040: digital output SPI
 - Operating voltage: $5\text{ V} \pm 5\%$
 - with absolute linearity $\pm 0.1^\circ$ max. within $\pm 39.9^\circ$
 $\pm 0.2^\circ$ max. from -45° to -40°
 $\pm 0.2^\circ$ max. from $+40^\circ$ to $+45^\circ$
 - Thermal deviation at $U/2$ over operational temperature range $\leq 0.05^\circ$
 - Gradient at $\pm 45^\circ$: 655.36 bits/ $^\circ$
 - Weight: $12.5\text{ g} \pm 1.5\text{ g}$
 - Power dissipation: 150 mW min.
 - Current supply: 12 mA max.

DIMENSIONS in millimeters

KITPR040 (Digital Output)


NAME	COLOR MARK ON WIRE	FUNCTION
P5VA	RED	Voltage supply high (+5 V)
AGND	BLACK	Voltage supply low (GROUND)
DCLK	WHITE	CLOCK
OUT	None	Data output line
CSN	YELLOW	Convert start not



Disclaimer

ALL PRODUCT, PRODUCT SPECIFICATIONS AND DATA ARE SUBJECT TO CHANGE WITHOUT NOTICE TO IMPROVE RELIABILITY, FUNCTION OR DESIGN OR OTHERWISE.

Vishay Intertechnology, Inc., its affiliates, agents, and employees, and all persons acting on its or their behalf (collectively, "Vishay"), disclaim any and all liability for any errors, inaccuracies or incompleteness contained in any datasheet or in any other disclosure relating to any product.

Vishay makes no warranty, representation or guarantee regarding the suitability of the products for any particular purpose or the continuing production of any product. To the maximum extent permitted by applicable law, Vishay disclaims (i) any and all liability arising out of the application or use of any product, (ii) any and all liability, including without limitation special, consequential or incidental damages, and (iii) any and all implied warranties, including warranties of fitness for particular purpose, non-infringement and merchantability.

Statements regarding the suitability of products for certain types of applications are based on Vishay's knowledge of typical requirements that are often placed on Vishay products in generic applications. Such statements are not binding statements about the suitability of products for a particular application. It is the customer's responsibility to validate that a particular product with the properties described in the product specification is suitable for use in a particular application. Parameters provided in datasheets and / or specifications may vary in different applications and performance may vary over time. All operating parameters, including typical parameters, must be validated for each customer application by the customer's technical experts. Product specifications do not expand or otherwise modify Vishay's terms and conditions of purchase, including but not limited to the warranty expressed therein.

Except as expressly indicated in writing, Vishay products are not designed for use in medical, life-saving, or life-sustaining applications or for any other application in which the failure of the Vishay product could result in personal injury or death. Customers using or selling Vishay products not expressly indicated for use in such applications do so at their own risk. Please contact authorized Vishay personnel to obtain written terms and conditions regarding products designed for such applications.

No license, express or implied, by estoppel or otherwise, to any intellectual property rights is granted by this document or by any conduct of Vishay. Product names and markings noted herein may be trademarks of their respective owners.