

**PLEASE CHECK WWW.MOLEX.COM FOR LATEST PART INFORMATION**

**Part Number:** [0740268114](#)

**Status:** **Active**

**Overview:** [VHDM Backplane Connector Systems](#)

**Description:** VHDM Board-to-Board Daughtercard Receptacle, 2.00mm Pitch, Right-Angle, 8 Rows, 3 Blade Power Module, 3 Circuits, Mating Blade Length: 7.50mm Blade 1, 7.50mm Blade 2, 12.00mm Blade 3

**Documents:**

[3D Model](#)

[Drawing \(PDF\)](#)

[Packaging Specification PK-70873-201 \(PDF\)](#)

[RoHS Certificate of Compliance \(PDF\)](#)

**General**

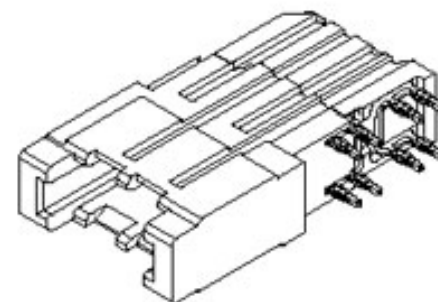
Product Family	Backplane Connectors
Series	<a href="#">74026</a>
Application	Daughtercard
Application Tooling Documents	TM-622010999
Comments	Daughtercard Receptacle Module, Power, 3-Blade
Component Type	Power Receptacle
Overview	<a href="#">VHDM Backplane Connector Systems</a>
Product Name	VHDM
UPC	800756568348

**Physical**

Circuits (Loaded)	3
Circuits (maximum)	3
Color - Resin	Black
Durability (mating cycles max)	200
First Mate / Last Break	No
Guide to Mating Part	No
Keying to Mating Part	None
Material - Metal	High Performance Alloy (HPA)
Material - Plating Mating	Gold
Material - Plating Termination	Gold, Tin-Lead
Material - Resin	High Temperature Thermoplastic
Number of Columns	N/A
Number of Pairs	Open Pin Field
Number of Rows	8
Orientation	Right Angle
PC Tail Length	2.80mm
PCB Locator	No
PCB Retention	None
PCB Thickness - Recommended	1.80mm
Packaging Type	Tube
Pitch - Mating Interface	2.00mm
Plating min - Mating	0.762µm
Plating min - Termination	0.889µm
Polarized to PCB	Yes
Surface Mount Compatible (SMC)	Yes
Temperature Range - Operating	-55° to +105°C
Termination Interface: Style	Through Hole - Compliant Pin

**Electrical**

Current - Maximum per Contact	10.0A
Data Rate	2.5 Gbps
Real Signals (per 25mm)	100
Voltage - Maximum	250V



Series image - Reference only

**EU ELV**

**Not Reviewed**

**EU RoHS**

**Not Reviewed**

**REACH SVHC**

Not Reviewed

**Halogen-Free**

**Status**

**Not Reviewed**

**Need more information on product environmental compliance?**

Email [productcompliance@molex.com](mailto:productcompliance@molex.com)  
Please visit the [Contact Us](#) section for any non-product compliance questions.

China ROHS

Not Reviewed

ELV

Not Reviewed

RoHS Phthalates

Not Reviewed

**Search Parts in this Series**

[74026 Series](#)

**Mates With**

[74029 VHDM Board-to-Board Backplane Receptacle Power Module](#)

**Material Info**

**Reference - Drawing Numbers**

Packaging Specification  
Sales Drawing

PK-70873-201  
SD-74026-002

This document was generated on 09/10/2018

**PLEASE CHECK [WWW.MOLEX.COM](http://WWW.MOLEX.COM) FOR LATEST PART INFORMATION**