

**Ultrafast Recovery Rectifier**

**MUR860**

**FEATURES**

- Ultrafast Recovery Time
- Low Forward Voltage
- Low Leakage Current
- 175°C Operating Junction Temperature
- High Temperature Glass Passivated Junction

**MECHANICAL CHARACTERISTICS**

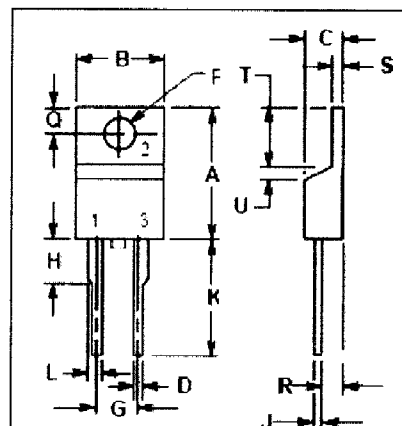
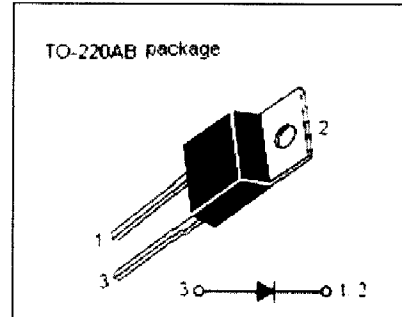
- Case: Epoxy, Molded
- Finish: All External Surfaces Corrosion Resistant and Terminal Leads are Readily Solderable
- Lead Temperature for Soldering Purposes: 260°C Max. for 10 Seconds

**APPLICATIONS**

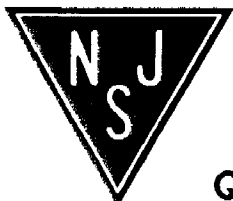
- Designed for use in switching power supplies, inverters and as free wheeling diodes.

**ABSOLUTE MAXIMUM RATINGS(T<sub>a</sub>=25°C)**

SYMBOL	PARAMETER	VALUE	UNIT
V <sub>RRM</sub> V <sub>RWM</sub> V <sub>R</sub>	Peak Repetitive Reverse Voltage Working Peak Reverse Voltage DC Blocking Voltage	600	V
I <sub>F(AV)</sub>	Average Rectified Forward Current (Rated V <sub>R</sub> )	8	A
I <sub>FM</sub>	Peak Repetitive Forward Current (Rated V <sub>R</sub> , Square Wave, 20kHz)	16	A
I <sub>FSM</sub>	Nonrepetitive Peak Surge Current (Surge applied at rated load conditions half-wave, single phase, 60Hz)	100	A
T <sub>J</sub>	Junction Temperature	-65~175	°C
T <sub>stg</sub>	Storage Temperature Range	-65~175	°C



DIM	MILLIMETERS	
	MIN	MAX
A	15.11	15.75
B	9.65	10.29
C	4.06	4.82
D	0.64	0.89
F	3.61	3.73
G	4.83	5.33
H	2.79	3.30
J	0.46	0.64
K	12.70	14.27
L	1.14	1.52
Q	2.54	3.04
R	2.04	2.79
S	1.14	1.39
T	5.97	6.48
U	0.000	1.27



NJ Semi-Conductors reserves the right to change test conditions, parameter limits and package dimensions without notice. Information furnished by NJ Semi-Conductors is believed to be both accurate and reliable at the time of going to press. However, NJ Semi-Conductors assumes no responsibility for any errors or omissions discovered in its use. NJ Semi-Conductors encourages customers to verify that datasheets are current before placing orders.

**Quality Semi-Conductors**

**Ultrafast Recovery Rectifier****MUR860****THERMAL CHARACTERISTICS**

SYMBOL	PARAMETER	MAX	UNIT
$R_{th\ j-c}$	Thermal Resistance, Junction to Case	2.0	$^{\circ}C/W$

**ELECTRICAL CHARACTERISTICS** ( $T_a=25^{\circ}C$ ) (Pulse Test: Pulse Width=300  $\mu$  s, Duty Cycle  $\leq 2\%$ )

SYMBOL	PARAMETER	CONDITIONS	MAX	UNIT
$V_F$	Maximum Instantaneous Forward Voltage	$I_F=8A$	1.68	V
$I_R$	Maximum Instantaneous Reverse Current	$V_{RRM}=600V$	3	$\mu A$
$t_{rr}$	Maximum Reverse Recovery Time	$I_F=0.5A, I_R=1A, I_{rr}=0.25A$	60	ns