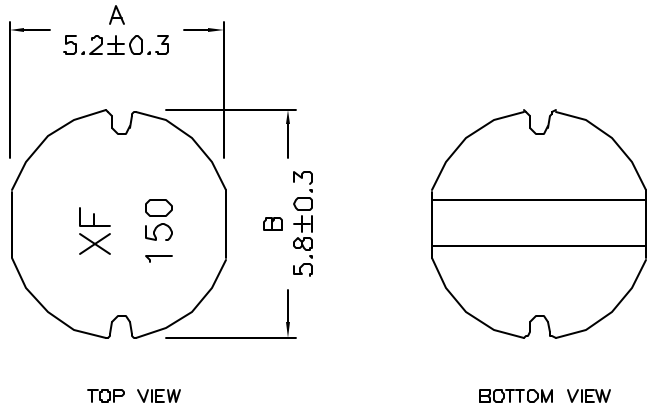
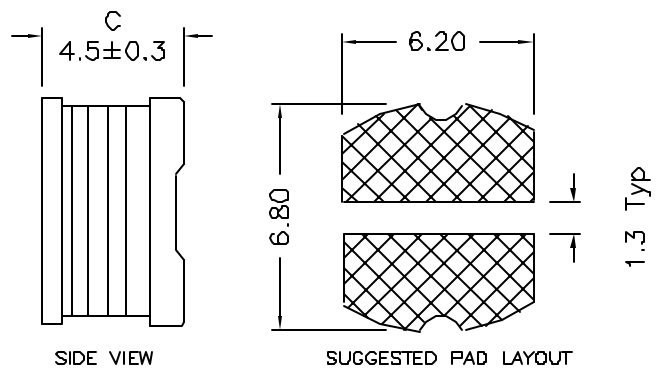


1. Dimensions:



TOP VIEW

BOTTOM VIEW

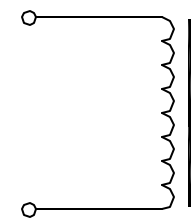


SIDE VIEW

SUGGESTED PAD LAYOUT

1.3 Typ

2. Schematic:



3. Electrical Specs:

OCL: 15.0uH ±20% @100KHz, 0.1V
 DC Res.: 0.140 Ohms Max
 DC Current: 1.30A_{dc} Max

Notes:

1. Solderability: Leads shall meet MIL-STD-202G, Method 208H for solderability.
2. Flammability: UL94V-0
3. ASTM oxygen Index: > 28%
4. Insulation System: Class F 155°C. UL file E151556
5. Operating Temperature Range: All listed parameters are to be within tolerance from -40°C to +85°C
6. Storage Temperature Range: -55°C to +125°C
7. Aqueous wash compatible
8. SMD Lead Coplanarity: ±0.004*(0.102mm)
9. Moisture Sensitivity: Level 3
10. Electrical and mechanical specifications 100% tested
11. RoHS Compliant Component

XFMRs Inc www.XFMRs.com		Title: SMD Inductor	
UNLESS OTHERWISE SPECIFIED TOLERANCES: .xx ±0.30 Dimensions in MM Scale 2.5:1 SHT 1 OF 1	P/N: XFSDR54-150M		REV A
	DWN.	Juan Mao	Jan-31-06
	CHK.	YK Liao	Jan-31-06
	APP.	BW	Jan-31-06

DOC. REV: A/1