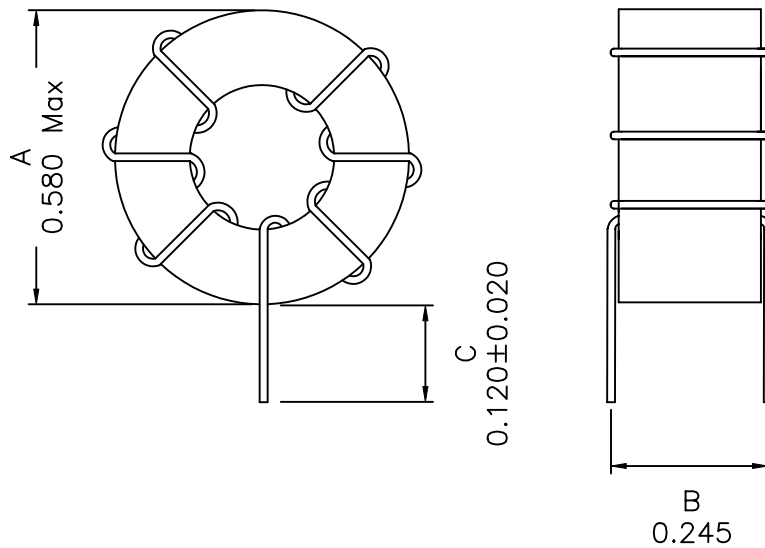
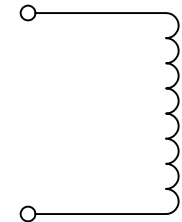


1. Mechanical Dimensions:



2. Schematic:



3. Electrical Specifications: @25°C

OCL: 1.07–1.31uH @10KHz 1.0V

DC Resistance: 0.01 Ohms Maximum

Notes:

1. Solderability: Leads shall meet MIL–STD–202, Method 208D for solderability.
2. Flammability: UL94V–0
3. ASTM oxygen index: > 28%
4. Temperature rating: 155°C. UL file E151556
5. Operating Temperature Range: –40°C to +85°C
6. STRIP AND TIN TO MOUNTING PLAIN
7. VARNISH REQUIRED
8. NO MARKINGS REQUIRED

XFMRS Inc		Title: TOROIDAL INDUCTOR	
UNLESS OTHERWISE SPECIFIED TOLERANCES: .xxx ±0.010 Dimensions in INCH	P/N: XF0016–VO3		REV 00
	DWN.	廖玉坤	Oct–24–01
	CHK.	李清儿	Oct–24–01
SHEET 1 OF 1	APP.	Isaiah M	Oct–24–01

DOC. REV. 00/2