

VRLA Rechargeable Battery

BC10-12

FEATURES

- Maintenance free(no water topping-up required)
- No free acid(Non-spillable battery)
- Can be used in any orientation(excluding used inverted)
- Absorbent Glass Mat technology for efficient gas recombination
- Its design life is up to 5 years in floating application

APPLICATION

- UPS
- Laboratory
- Equipment



SPECIFICATIONS

Nominal Voltage	12V	
Nominal Capacity	20 Hour Rate (500mA, 10.5V)	10.0 Ah
	10 Hour Rate (950mA, 10.5V)	9.50 Ah
	5 Hour Rate (1700mA, 10.5V)	8.50 Ah
	1 Hour Rate (6000mA, 9.30V)	6.00 Ah
Approx. Weight	3000g(6.61lbs.)	
Terminals	T2 (Faston Tab 250) T1 is optional	
Max. Discharge Current	150 A (5 sec.)	
Max. Charge Current	3.00 A	
Operating Temperature Range	Charge	0°C~40°C(32°F~104°F)
	Discharge	-20°C~50°C(-4°F~122°F)
	Storage	-20°C~40°C(-4°F~104°F)
Self Discharge	< 3% per month (25°C)	
Internal Resistance	≤17mΩ (Fully Charged)	

CONTAINER MATERIAL

- Standard: ABS(UL 94-HB)
Model: BC10-12 (Dark gray color)
- Optional: ABS(UL 94-V0)
Model: BC10-12FR (Light gray color)



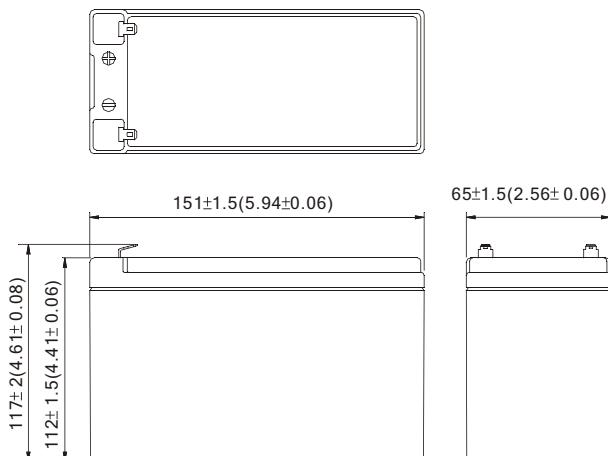
UL



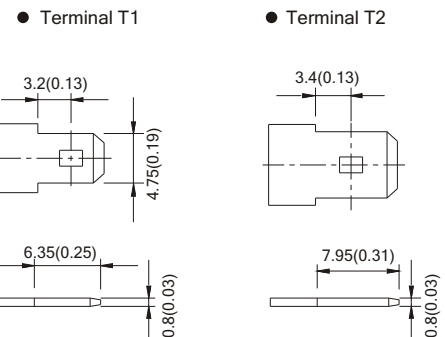
CE

- IEC 61056-1
- JIS C 8702-1
- GB/T 19639.1

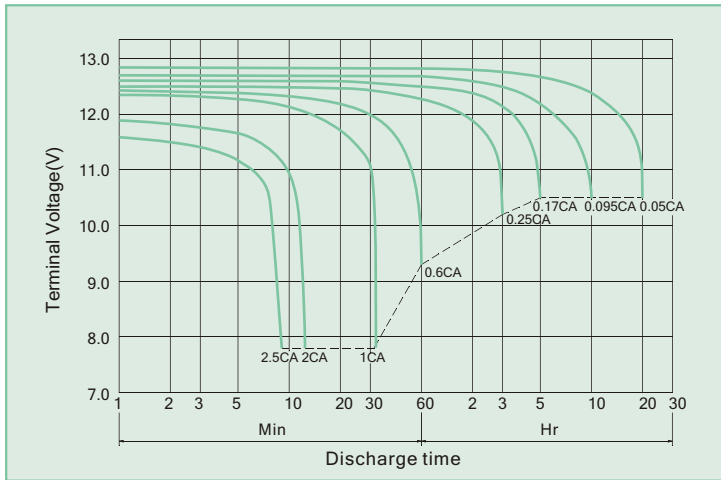
OUTER DIMENSIONS mm(inch)	Length (L)	Width (W)	Container Height (H)	Total Height (TH)
		151±1.5(5.94±0.06)	65±1.5(2.56±0.06)	112±1.5(4.41±0.06)



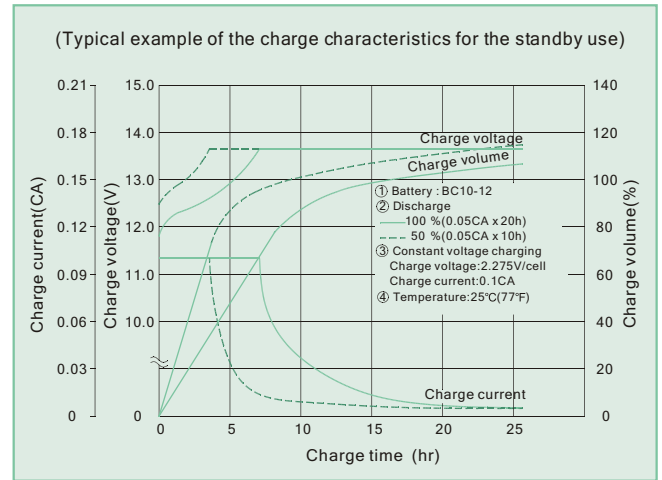
TERMINAL TYPE



BC10-12 (BC10-12FR) discharge characteristics (25°C /77°F)



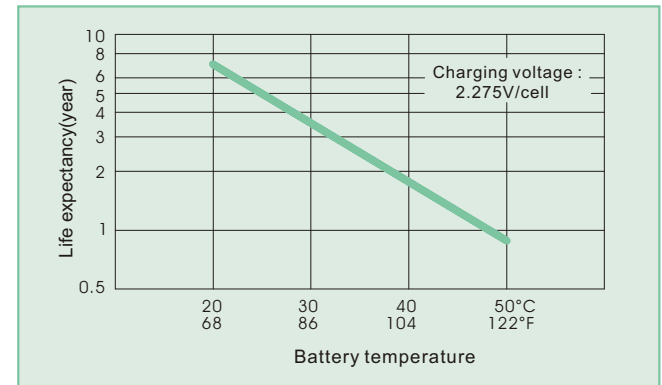
Battery Charging Characteristics



Charging Procedure

Application	Charging method	Charging Voltage at 25°C (V/cell)	Temperature compensation coefficient of charging voltage (mV/°C /cell)	Max. charging current (CA)	Charging time 0.1CA, 25°C (h)		Temp (°C)
					100% discharge	50% discharge	
For standby power Source	Constant voltage & Constant current charging (with current restriction)	2.25~2.30	-3	0.3	24	20	0~40 (32~104°F)
For cycle service		2.40~2.50	-4	0.3	16	10	

Effect Of Temperature On Long Term Float Life



Constant power discharge characteristics at 25 °C/77 °F Unit: W

F.V. (V/cell) \ Discharge Time	5 Min	10 Min	15 Min	30 Min	1 Hr	3 Hr	5 Hr	10 Hr	20 Hr
1.80V	361.6	266.2	213.3	126.9	72.78	29.15	20.10	11.23	5.91
1.75V	418.5	288.4	223.1	131.7	74.96	29.73	20.40	11.40	6.00
1.70V	444.6	298.7	230.0	134.7	76.31	30.00	20.51	11.46	6.04
1.65V	464.6	305.9	235.3	136.6	77.23	30.21	20.58	11.49	6.05
1.60V	480.0	312.0	240.0	138.0	78.00	30.39	20.64	11.49	6.05

Constant current discharge characteristics at 25 °C/77 °F Unit: A

F.V. (V/cell) \ Discharge Time	5 Min	10 Min	15 Min	30 Min	1 Hr	3 Hr	5 Hr	10 Hr	20 Hr
1.80V	32.57	23.43	18.55	10.75	6.12	2.43	1.675	0.936	0.493
1.75V	38.39	25.38	19.40	11.16	6.30	2.48	1.700	0.950	0.500
1.70V	40.79	26.30	20.00	11.42	6.41	2.50	1.709	0.955	0.503
1.65V	42.62	26.93	20.46	11.58	6.49	2.52	1.715	0.958	0.504
1.60V	44.04	27.46	20.87	11.69	6.55	2.53	1.720	0.958	0.504

All data and artworks shall be changed without prior notice, BB reserves the right to explain and update the information contained hereinto.

A/0 REV. Feb. 2013

USA:
 B&B BATTERY(USA) INC.
 6415 RANDOLPH ST.COMMERCE, CA,90040 U.S.A.
 TEL:1-323-278-1900.1-800-278-8599
 FAX:1-323-278-1268
 E-Mail:sales@bb-battery.com

CHINA FACTORY:
 B.B. BATTERY CO., LTD.
 CHENG DONG TRIAL AREA,HUANG GANG,
 RAOPING, GUANG DONG,CHINA,515700
 TEL:86-768-7601001-2
 FAX:86-768-7601469
 E-Mail:maggy@bb-battery.com

EUROPE:
 B&B BATTERY(EUROPE) B.V.
 SUITE 8, HAAKSBERGWEG 33, 1101
 BP AMSTERDAM, THE NETHERLANDS
 TEL: 31-30-320-0190
 MOBILE: 852-9128-2711
 E-Mail: dliu@bb-battery.com

HONG KONG:
 B&B BATTERY(Hong Kong) Co.
 TEL:852-2311-4918
 FAX:852-2739-1182
 E-Mail:bbhk@hkstar.com

JAPAN:
 B&B BATTERY(JAPAN) CO., LTD.
 1375-11 NARAHARA-MACHI,HACHIOJI,
 TOKYO 193-0803,JAPAN.
 TEL:81-426-25-6375
 FAX:81-426-25-6375
 E-Mail:miyata@bb-battery.com

TAIWAN:
 B.B. BATTERY(TAIWAN) CO., LTD.
 TEL:886-6-502-5150
 FAX:886-6-589-8087
 E-Mail:kevinlin@bb-battery.com