

## Silicon NPN Power Transistors

2SC4581

## DESCRIPTION

- With TO-3PML package
- High voltage,high speed
- Switching power transistor

## PINNING

PIN	DESCRIPTION
1	Base
2	Collector
3	Emitter

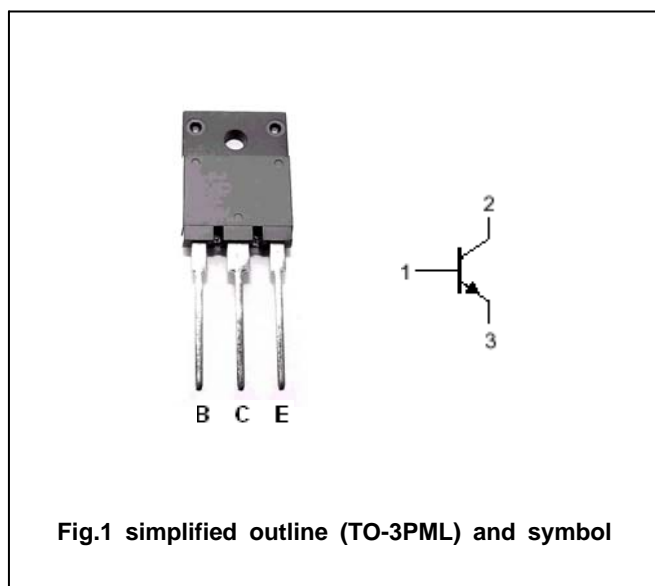


Fig.1 simplified outline (TO-3PML) and symbol

## Absolute maximum (Ta=25°C)

SYMBOL	PARAMETER	CONDITIONS	VALUE	UNIT
$V_{CBO}$	Collector-base voltage	Open emitter	600	V
$V_{CEO}$	Collector-emitter voltage	Open base	450	V
$V_{EBO}$	Emitter-base voltage	Open collector	7	V
$I_C$	Collector current		10	A
$I_{CM}$	Collector current-peak		20	A
$I_B$	Base current		4	A
$I_{BM}$	Base current-peak		8	A
$P_C$	Collector power dissipation	$T_C=25^\circ\text{C}$	65	W
$T_j$	Junction temperature		150	$^\circ\text{C}$
$T_{stg}$	Storage temperature		-55~150	$^\circ\text{C}$

## THERMAL CHARACTERISTICS

SYMBOL	PARAMETER	MAX	UNIT
$R_{th\ j-c}$	Thermal resistance junction to case	1.92	$^\circ\text{C/W}$

## Silicon NPN Power Transistors

2SC4581

## CHARACTERISTICS

T<sub>j</sub>=25°C unless otherwise specified

SYMBOL	PARAMETER	CONDITIONS	MIN	TYP.	MAX	UNIT
V <sub>CEsat</sub>	Collector-emitter saturation voltage	I <sub>C</sub> =5A; I <sub>B</sub> =1 A			1.0	V
V <sub>BEsat</sub>	Base-emitter saturation voltage	I <sub>C</sub> =5A; I <sub>B</sub> =1 A			1.5	V
V <sub>CEO(SUS)</sub>	Collector-emitter sustaining voltage	I <sub>C</sub> =0.2A; I <sub>B</sub> =0	450			V
I <sub>EBO</sub>	Emitter cut-off current	At rated voltage			0.1	mA
I <sub>CBO</sub>	Collector cut-off current	At rated voltage			0.1	mA
I <sub>CEO</sub>	Collector cut-off current					
h <sub>FE-1</sub>	DC current gain	I <sub>C</sub> =5 A ; V <sub>CE</sub> =5V	10			
h <sub>FE-2</sub>	DC current gain	I <sub>C</sub> =1mA ; V <sub>CE</sub> =5V	5			
f <sub>T</sub>	Transition frequency	I <sub>C</sub> =1A ; V <sub>CE</sub> =10V		20		MHz

## Switching times

t <sub>on</sub>	Turn-on time	I <sub>C</sub> =5A; R <sub>L</sub> =30 Ω I <sub>B1</sub> =1A; I <sub>B2</sub> =2A V <sub>BB2</sub> =4V			0.5	μ s
t <sub>stg</sub>	Storage time				2.0	μ s
t <sub>f</sub>	Fall time				0.2	μ s

Silicon NPN Power Transistors

2SC4581

PACKAGE OUTLINE

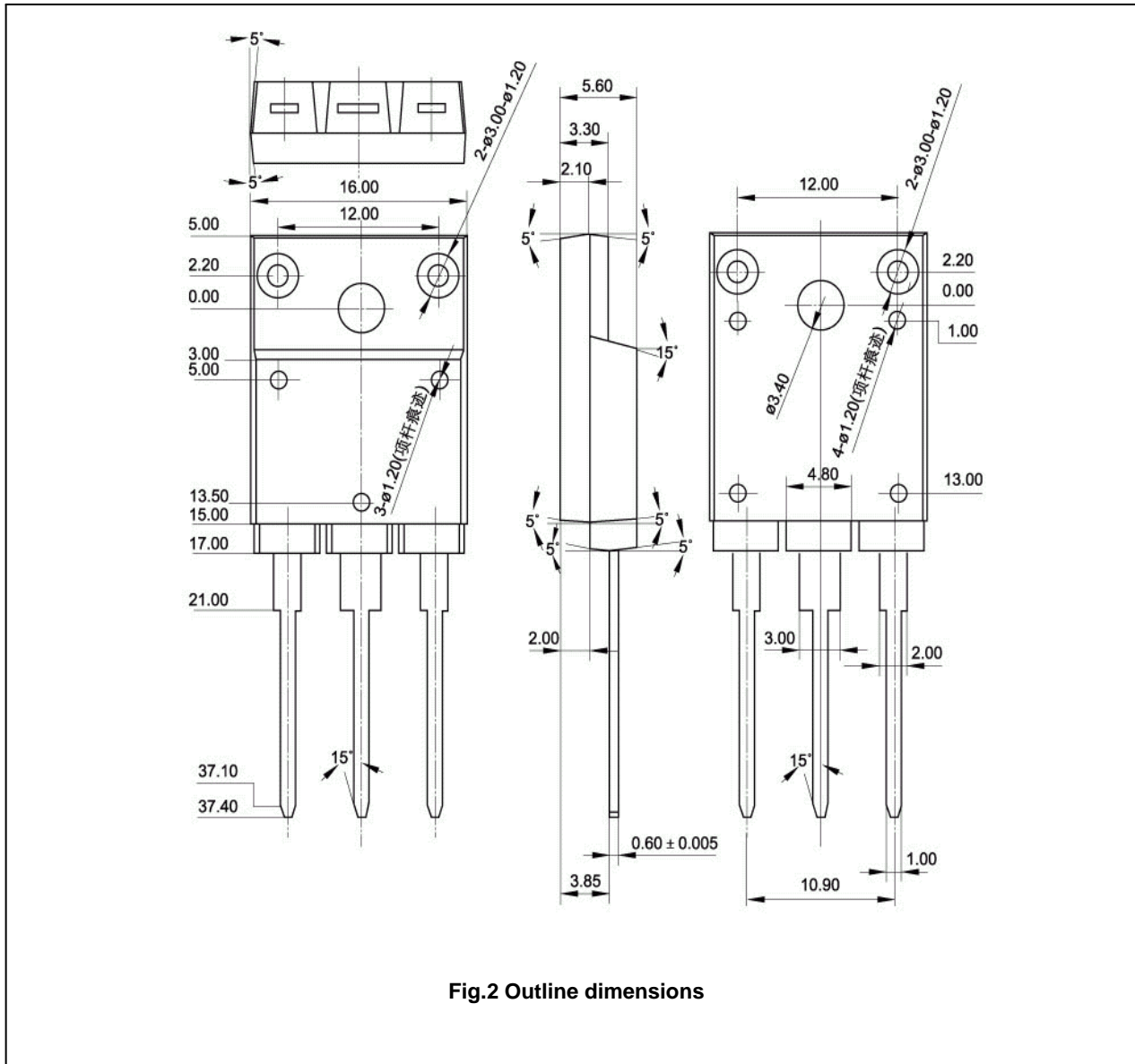


Fig.2 Outline dimensions