

**NEW**



Half-pitch (1.27mm) Interface Connector

CONNECTOR

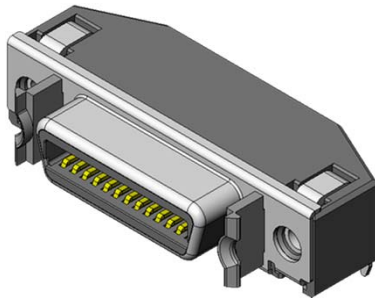
MB-0276-4

April 2015

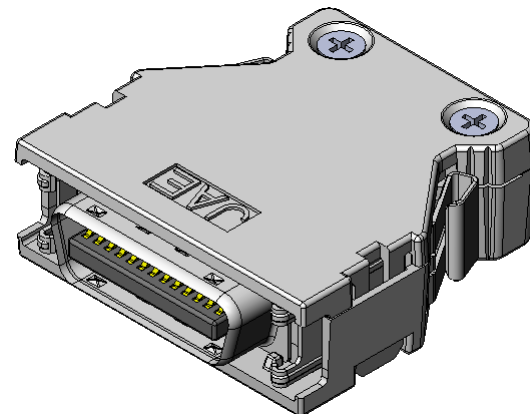
## DF02 Series

**RoHS Compliant**

Receptacle



Plug



### Outline

The DF02 Series is an interface connector compatible with the half-pitch (1.27mm) which is used as a standard in the industrial instrument market. The DF02 Series realizes light weight by using a resin-made hood and also has sufficient measures against EMI shielding with Ni plating. Furthermore, it has a superior operability by using a one-touch lock method.

### <Application>

FA equipment, semiconductor manufacturing equipment, communication devices, measuring instrument, broadcasting equipment, and others.

### Features

#### <Receptacle>

- Dual use specifications with one-touch lock and screw-lock.
- Structure that prevents short circuit by foreign substances by attaching a cover to the terminals.
- Improved resistance against twisting with a hook integrated with the shell.

#### <Plug>

- Miniaturization, weight and cost saving realized by using resin for hood material. Also it has sufficient measures against EMI shielding with Ni plating.
- Excellent workability with two-unit structure hood and superior reparability with latch lock method.
- Available in IDC type (28AWG to 30AWG) for labor-saving in termination works.
- Realizes to shorten working time with a structure that enables streamlining of the harness assembly processes such as the screw fixing work.

## General Specifications

|                                 |   |
|---------------------------------|---|
| Specification                   |   |
| Rated Current                   | 0.5A / 1pos.  |
| Rated Voltage                   | AC250Vr.m.s   |
| Contact Resistance              | 35m $\Omega$ max. (initial)<br>Variance $\pm 25$ m $\Omega$ max. (after test)       |
| Insulation Resistance           | Individual connector 100M $\Omega$ min. (initial)<br>10M $\Omega$ min. (after test) |
| Dielectric Withstanding Voltage | Individual connector AC500Vr.m.s (initial)<br>AC300Vr.m.s (after test)              |
| Operating Temperature           | -20 Deg. C to +80 Deg. C  |

## Line-up

| Item                  | Line-up  |  |
|-----------------------|--|--|
|                       | Receptacle                                     | Plug   |
| Pin Count Variation   | 14pos., 20 pos., 26 pos.,<br>36 pos., 50 pos., | 14pos., 20 pos., 26 pos.,<br>36 pos., 50 pos., 68pos., |
| Termination Variation | Through-hole                                   | Soldering (22AWG to 30AWG)<br>IDC (28AWG, 30AWG)       |

## Materials and Finishes

| Product    | Part                 | Materials /Finishes                       |   |
|------------|----------------------|---|---|
| Receptacle | Insulator            | 9TNY                                      |   |
|            | Locator              | 9TNY                                      |   |
|            | Lug                  | Steel / Ni Plating                        |   |
|            | Shell                | Steel / Sn Plating                        |   |
|            | Nut                  | Brass / Ni Plating                        |   |
|            | Contact              | Copper Alloy / Au plating on contact area |   |
| Plug       | Plug Individual Unit | Insulator                                 | 6-6NY                                     |
|            |                      | Contact                                   | Copper alloy / Au plating on contact area |
|            |                      | Shell                                     | Steel / Ni plating                        |
|            |                      | Cover (Note 1)                            | PBT                                       |
|            | Hood                 | Hood A                                    | ABS / Ni plating                          |
|            |                      | Hood B                                    | ABS / Ni plating                          |
|            |                      | Lock Spring                               | Stainless Steel                           |
|            |                      | Nut                                       | Steel / Ni plating                        |
|            |                      | Fixing Screw                              | Steel / Ni plating                        |
|            | Clamp Plate          | Clamp Plate                               | Steel / Ni plating                        |

Note 1: A cover is not included in a soldering type plug individual unit.

Combinations

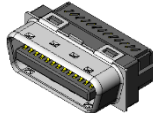
Receptacle

Angle Type

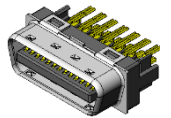


Plug Individual Unit

IDC Connection Type

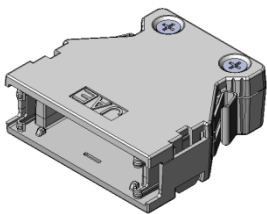


Soldering Connection Type



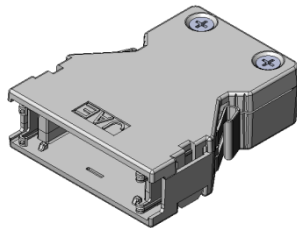
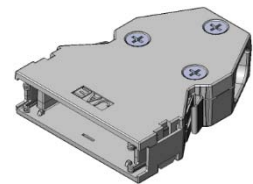
Hood

Straight Short

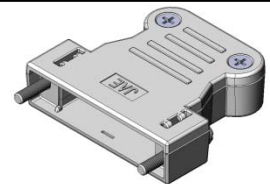


Angle Long  
Angle Long / Thick cable Compatible Type

Straight Long  
Straight Long / Thick Cable Compatible Type

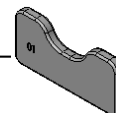


Straight Long  
Screw Lock



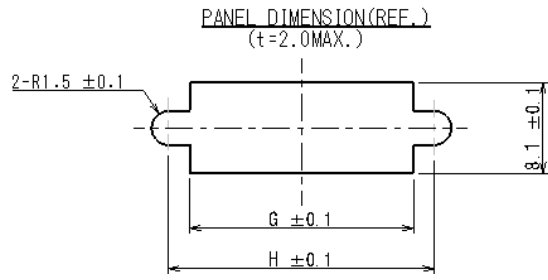
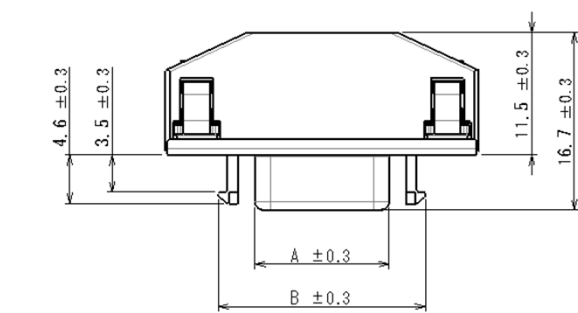
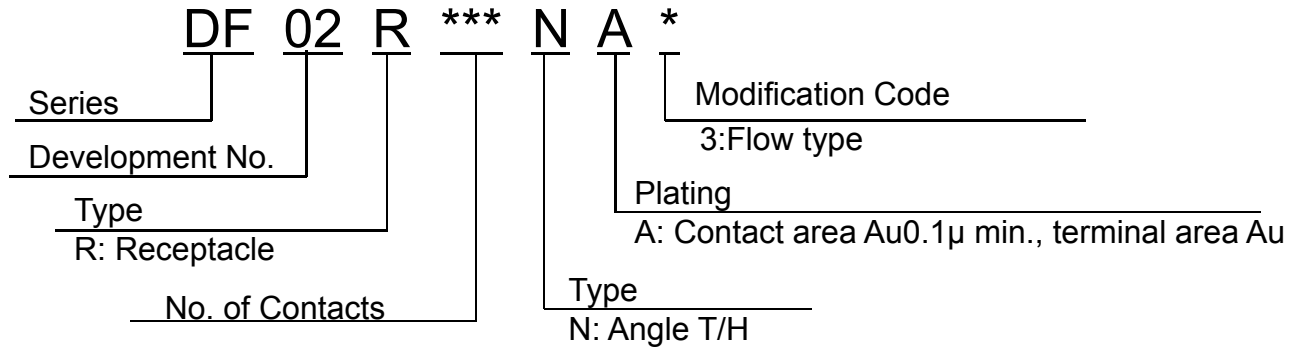
Clamp Plate

Clamp Plate

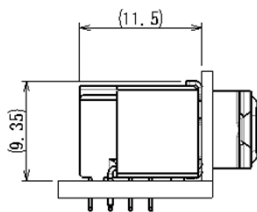
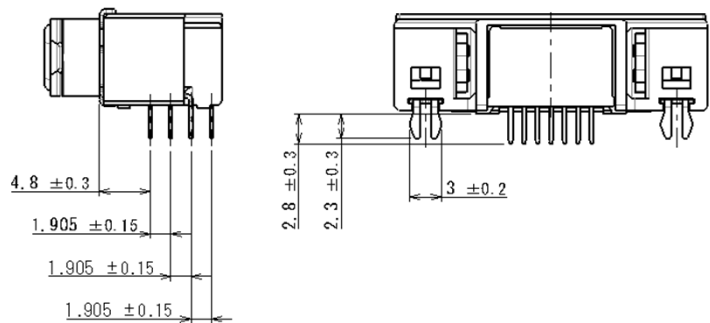
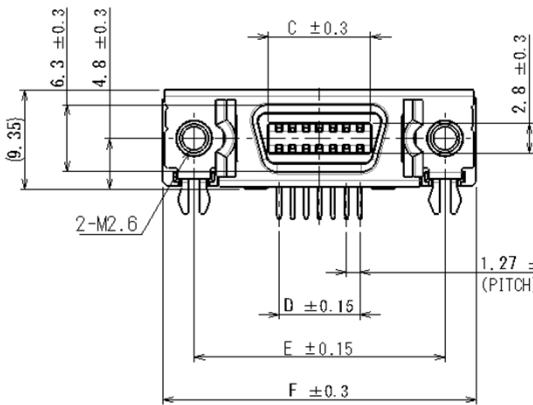


Note: When using soldering connection type plug individual unit we recommend connection with straight long, straight long / thick cable compatible type, angle long, and angle long/ thick cable compatible type.

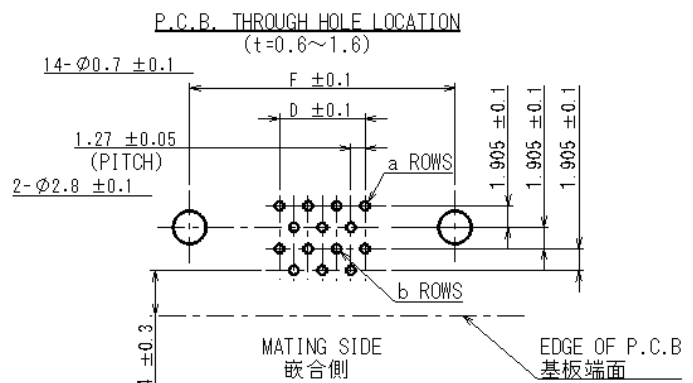
[Receptacle]



<Panel Attachment Dimensions>



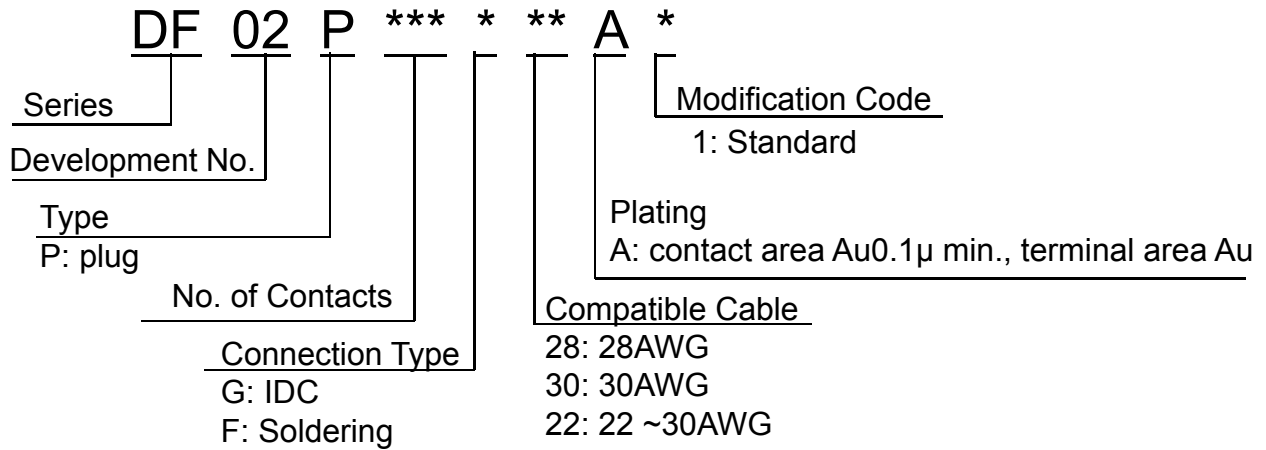
<When attached to board>



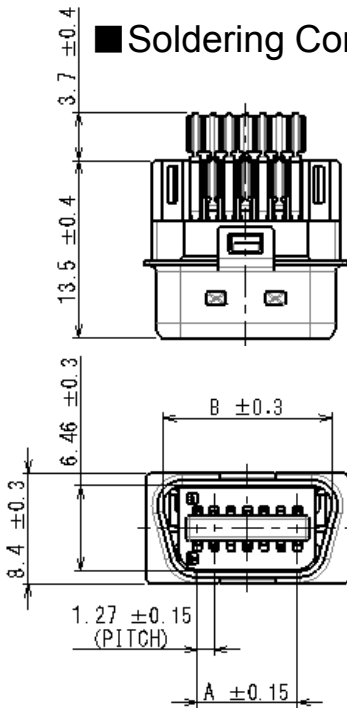
<Applicable Board Dimensions>

| No. of Contacts | Part Number | Drawing  | A     | B    | C    | D     | E     | F    | G    | H     |
|-----------------|-------------|----------|-------|------|------|-------|-------|------|------|-------|
| 14              | DF02R014NA3 | SJ116104 | 12.64 | 19.5 | 9.6  | 7.62  | 23.64 | 29.5 | 19.9 | 23.64 |
| 20              | DF02R020NA3 | SJ116105 | 16.45 | 23.4 | 13.4 | 11.43 | 27.45 | 33.4 | 23.8 | 27.45 |
| 26              | DF02R026NA3 | SJ116111 | 20.26 | 27.2 | 17.2 | 15.24 | 31.26 | 37.2 | 27.6 | 31.26 |
| 36              | DF02R036NA3 | SJ116106 | 26.61 | 33.5 | 23.6 | 21.59 | 37.61 | 43.5 | 33.9 | 37.61 |
| 50              | DF02R050NA3 | SJ116112 | 35.5  | 42.4 | 32.5 | 30.48 | 46.5  | 52.4 | 42.8 | 46.5  |

**[Plug Individual Unit]**



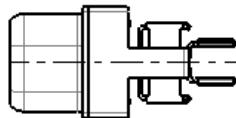
**■ Soldering Connection Type**



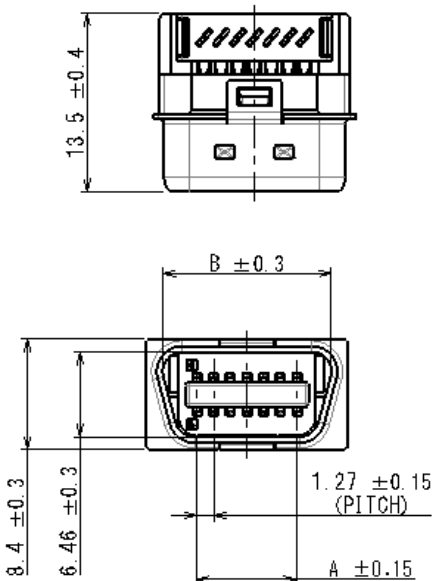
| No. of Contacts | Part Number   | Drawing  | A     | B     |
|-----------------|---------------|----------|-------|-------|
| 14              | DF02P014F22A1 | SJ114740 | 7.62  | 12.84 |
| 20              | DF02P020F22A1 | SJ114741 | 11.43 | 16.65 |
| 26              | DF02P026F22A1 | SJ114250 | 15.24 | 20.46 |
| 36              | DF02P036F22A1 | SJ114035 | 21.59 | 26.81 |
| 50              | DF02P050F22A1 | SJ114251 | 30.48 | 35.7  |

**Applicable Cable**

Applicable Cable: 22~30AWG equivalent  
 Applicable Outer Dia: φ1.1 max.  
 Recommended Sheath: PVC



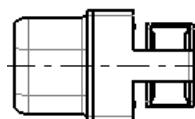
**■ IDC Connection Type**



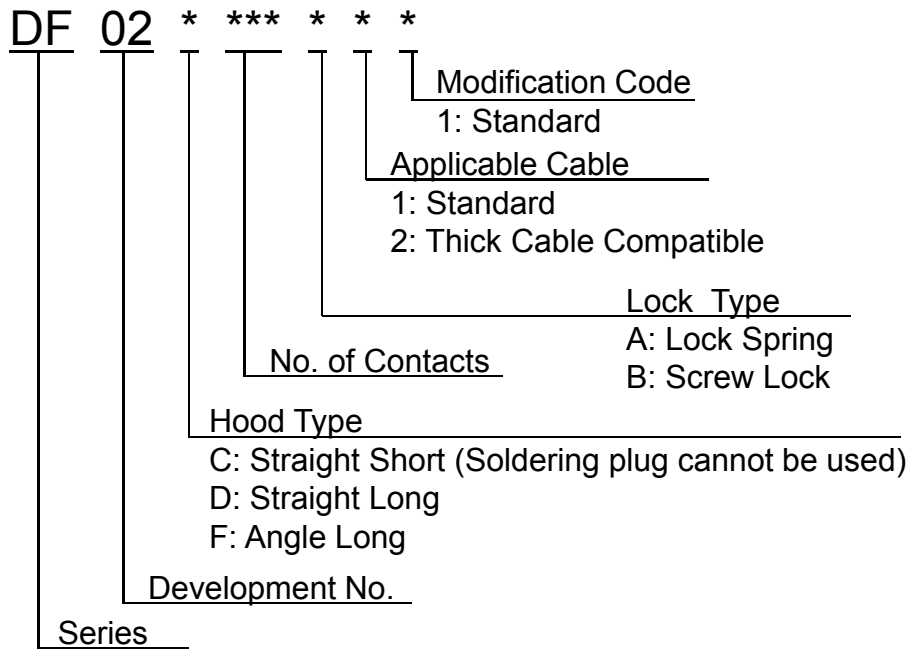
| Applicable Wire | No. of Contacts | Part Number   | Drawing  | A     | B     |
|-----------------|-----------------|---------------|----------|-------|-------|
| For 28AWG       | 14              | DF02P014G28A1 | SJ114156 | 7.62  | 12.84 |
|                 | 20              | DF02P020G28A1 | SJ114157 | 11.43 | 16.65 |
|                 | 26              | DF02P026G28A1 | SJ114034 | 15.24 | 20.46 |
|                 | 36              | DF02P036G28A1 | SJ114158 | 21.59 | 26.81 |
|                 | 50              | DF02P050G28A1 | SJ114159 | 30.48 | 35.7  |
| For 30AWG       | 14              | DF02P014G30A1 | SJ114032 | 7.62  | 12.84 |
|                 | 50              | DF02P050G30A1 | SJ114033 | 30.48 | 35.7  |

**Applicable Cable**

- 28 AWG IDC Connection Type  
 Applicable Outer Dia.: φ0.51~ φ0.64  
 - 30 AWG IDC Connection Type  
 Applicable Outer Dia.: φ0.51~ φ0.64  
 Recommended Sheath: PVC

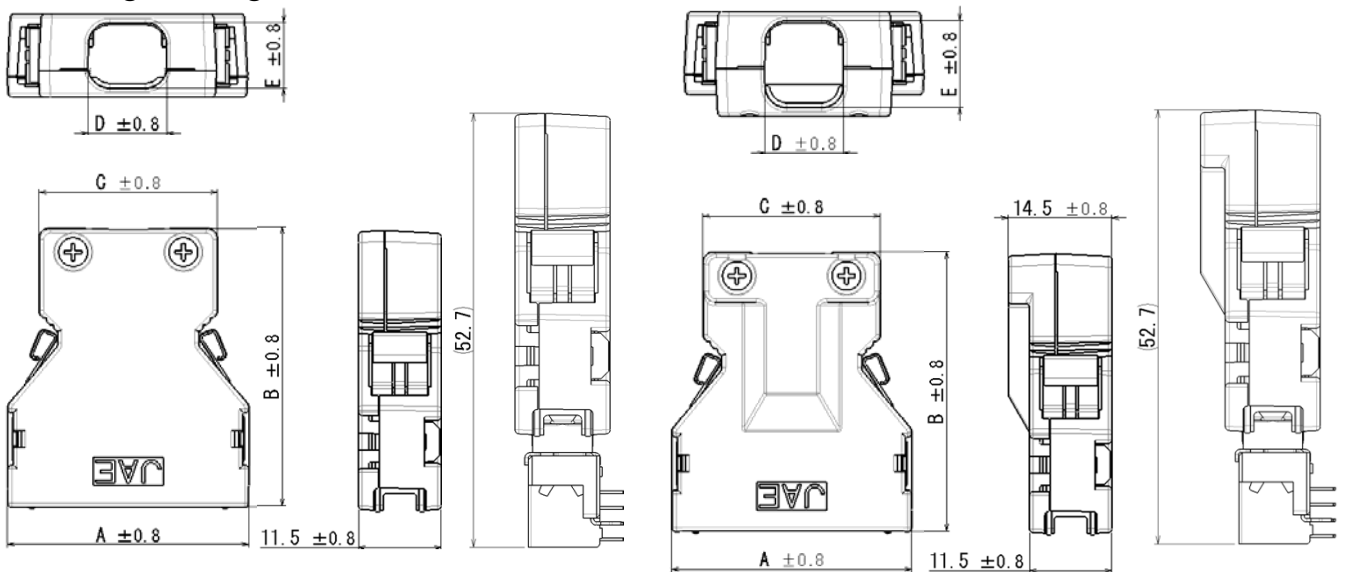


[Hood]



■ Straight Short  
 ■ Straight Long

■ Straight Long /  
 Thick Cable Compatible Type

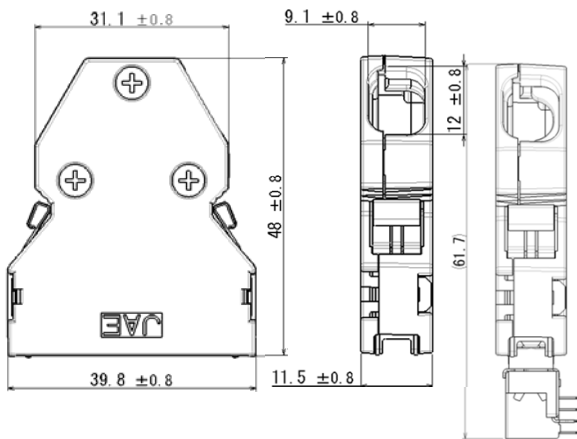


<When mated>

<When mated>

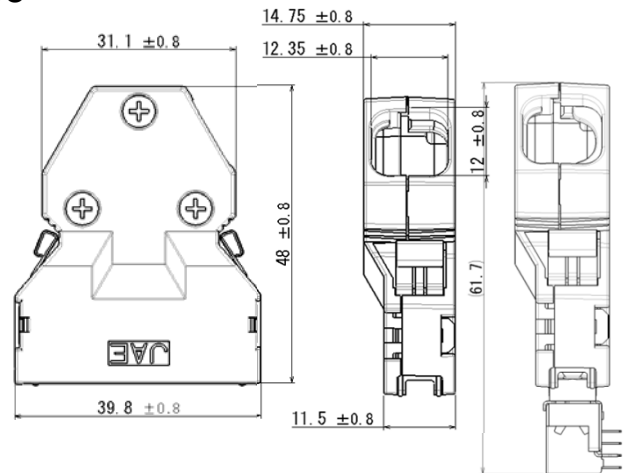
| Type                                       | No. of Contacts | Part Number | Drawing  | A    | B  | C    | D    | E    |
|--|-----------------|-------------|----------|------|----|------|------|------|
| Straight Short                             | 14              | DF02C014A11 | SJ114040 | 25.8 | 32 | 19.9 | 9.0  | 9.1  |
|  | 26              | DF02C026A11 | SJ114041 | 33.5 | 32 | 24.8 | 9.5  | 9.1  |
|  | 36              | DF02C036A11 | SJ114245 | 39.8 | 32 | 31.1 | 10.0 | 9.1  |
|  | 50              | DF02C050A11 | SJ114042 | 48.7 | 32 | 40.0 | 11.5 | 9.15 |
|  | 68              | DF02C068A11 | SJ114247 | 60.1 | 32 | 51.4 | 12.0 | 9.15 |
| Straight Long                              | 14              | DF02D014A11 | SJ114742 | 25.8 | 39 | 19.9 | 10.0 | 9.1  |
|  | 20              | DF02D020A11 | SJ114243 | 29.7 | 39 | 22.0 | 11.0 | 9.1  |
|  | 26              | DF02D026A11 | SJ114252 | 33.5 | 39 | 24.8 | 11.0 | 9.1  |
|  | 50              | DF02D050A11 | SJ114254 | 48.7 | 39 | 40.0 | 11.5 | 9.15 |
| Straight Long / Thick Wire Compatible Type | 26              | DF02D026A21 | SJ114160 | 33.5 | 39 | 24.8 | 11.0 | 12.0 |
|  | 50              | DF02D050A21 | SJ114162 | 48.7 | 39 | 40.0 | 11.5 | 12.4 |

■ Angle Long



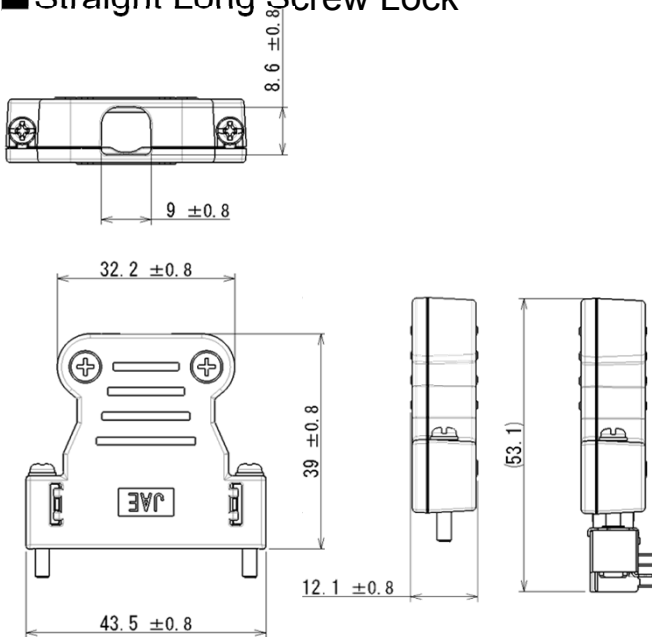
<When mated>

■ Angle Long / Thick Cable Compatible Type



<When mated>

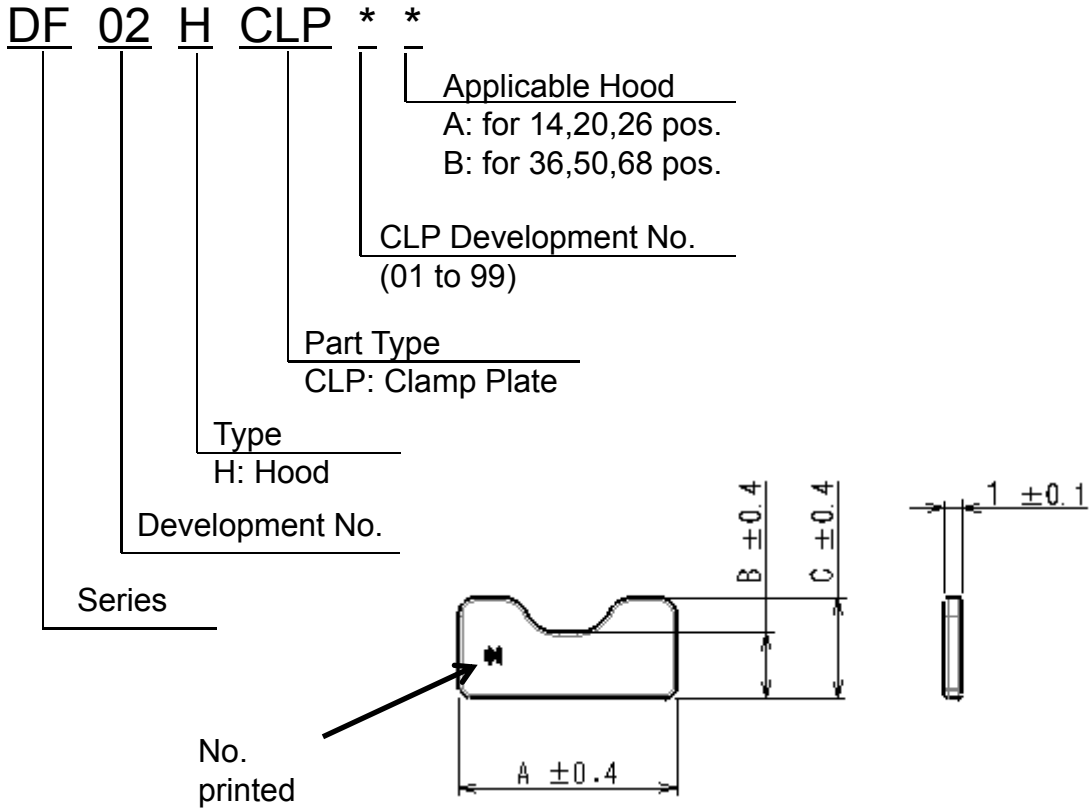
■ Straight Long Screw Lock



<When mated>

| Type                                    | No. of Contacts | Part Number | Drawing  |
|---|-----------------|-------------|----------|
| Angle Long                              | 36              | DF02F036A11 | SJ114043 |
| Angle Long / Thick Wire Compatible Type | 36              | DF02F036A21 | SJ114161 |
| Straight Long Screw Lock                | 36              | DF02D036B11 | SJ115090 |

[Clamp Plate]



| No. | Part Number | Drawing  | A    | B    | C    | Applicable Hood |                 |
|-----|-------------|----------|------|------|------|-----------------|-----------------|
|     |             |          |      |      |      | 14, 20, 26 pos. | 36, 50, 68 pos. |
| 01  | DF02HCLP01A | SJ114550 | 12.2 | 3.7  | 5.65 | Yes             | No              |
| 02  | DF02HCLP02A | SJ114551 | 12.2 | 4.3  | 5.75 | Yes             | No              |
| 03  | DF02HCLP03B | SJ114552 | 14.2 | 1.15 | 4.75 | No              | Yes             |
| 04  | DF02HCLP04B | SJ114553 | 14.2 | 5    | 6.15 | No              | Yes             |
| 05  | DF02HCLP05A | SJ114554 | 12.2 | 4.65 | 5.65 | Yes             | No              |
| 06  | DF02HCLP06B | SJ114555 | 14.2 | 3.6  | 5.55 | No              | Yes             |
| 07  | DF02HCLP07B | SJ114556 | 14.2 | 3.05 | 5    | No              | Yes             |
| 08  | DF02HCLP08B | SJ114557 | 14.2 | 2.35 | 4.3  | No              | Yes             |
| 09  | DF02HCLP09B | SJ114558 | 14.2 | 1.15 | 3.1  | No              | Yes             |
| 10  | DF02HCLP10A | SJ114669 | 12.2 | 3.45 | 5.4  | Yes             | No              |
| 11  | DF02HCLP11A | SJ114739 | 12.2 | 2    | 3.95 | Yes             | No              |
| 12  | DF02HCLP12B | SJ115091 | 14.2 | 4    | 5.95 | No              | Yes             |

Yes: Applicable  
No: Not applicable

**Applicable Cable**

Please refer to handling instruction JAHL-30303 regarding applicable cable for clamp plate.



## [Plug Combinations and Part Numbers]

| Specification   |                |          |            |                  |                  | Part Number   |             |                    |  |
|-----------------|----------------|----------|------------|------------------|------------------|---------------|-------------|--------------------|--|
| No. of Contacts | Lock Structure | Type     | Connection | Applicable Cable | Total Cable Dia. | Plug          | Hood        | Clamp Plate        | Applicable Processed Outer Dia.<br>(For reference) |
| 14              | Lock Spring    | Straight | IDC        | AWG 28           | φ6.5 ~ 8.0       | DF02P014G28A1 | DF02C014A11 | DF02HCLP05A        | φ6.5 ~ 7.0   |
|                 |                |          |            |                  |                  |               |             | DF02HCLP02A        | φ7.0 ~ 7.5   |
|                 |                |          |            |                  |                  |               |             | DF02HCLP01A        | φ7.5 ~ 8.0   |
| 14              | Lock Spring    | Straight | IDC        | AWG 30           | φ6.5 ~ 8.0       | DF02P014G30A1 | DF02C014A11 | DF02HCLP05A        | φ6.5 ~ 7.0   |
|                 |                |          |            |                  |                  |               |             | DF02HCLP02A        | φ7.0 ~ 7.5   |
|                 |                |          |            |                  |                  |               |             | DF02HCLP01A        | φ7.5 ~ 8.0   |
| 14              | Lock Spring    | Straight | Soldering  | AWG22 ~ 30       | φ6.5 ~ 9.0       | DF02C014A11   | DF02D014A11 | DF02HCLP05A        | φ6.5 ~ 7.0   |
|                 |                |          |            |                  |                  |               |             | DF02HCLP02A        | φ7.0 ~ 7.5   |
|                 |                |          |            |                  |                  |               |             | DF02HCLP01A        | φ7.5 ~ 8.0   |
|                 |                |          |            |                  |                  |               |             | DF02HCLP10A        | φ8.5 ~ 9.0   |
| 20              | Lock Spring    | Straight | IDC        | AWG 28           | φ6.5 ~ 9.0       | DF02P020G28A1 | DF02D020A11 | DF02HCLP05A        | φ6.5 ~ 7.0   |
|                 |                |          |            |                  |                  |               |             | DF02HCLP02A        | φ7.0 ~ 7.5   |
|                 |                |          |            |                  |                  |               |             | DF02HCLP01A        | φ7.5 ~ 8.0   |
|                 |                |          |            |                  |                  |               |             | DF02HCLP10A        | φ8.5 ~ 9.0   |
| 20              | Lock Spring    | Straight | Soldering  | AWG22 ~ 30       | φ6.5 ~ 9.0       | DF02P020F22A1 | DF02D020A11 | DF02HCLP05A        | φ6.5 ~ 7.0   |
|                 |                |          |            |                  |                  |               |             | DF02HCLP02A        | φ7.0 ~ 7.5   |
|                 |                |          |            |                  |                  |               |             | DF02HCLP01A        | φ7.5 ~ 8.0   |
|                 |                |          |            |                  |                  |               |             | DF02HCLP10A        | φ8.5 ~ 9.0   |
| 26              | Lock Spring    | Straight | IDC        | AWG 28           | φ6.5 ~ 8.0       | DF02P026G28A1 | DF02C026A11 | DF02HCLP05A        | φ6.5 ~ 7.0   |
|                 |                |          |            |                  |                  |               |             | DF02HCLP02A        | φ7.0 ~ 7.5   |
|                 |                |          |            |                  |                  |               |             | DF02HCLP01A        | φ7.5 ~ 8.0   |
| 26              | Lock Spring    | Straight | Soldering  | AWG22 ~ 30       | φ6.5 ~ 9.0       | DF02P026F22A1 | DF02D026A11 | DF02HCLP05A        | φ6.5 ~ 7.0   |
|                 |                |          |            |                  |                  |               |             | DF02HCLP02A        | φ7.0 ~ 7.5   |
|                 |                |          |            |                  |                  |               |             | DF02HCLP01A        | φ7.5 ~ 8.0   |
|                 |                |          |            |                  |                  |               |             | DF02HCLP10A        | φ8.5 ~ 9.0   |
| 26              | Lock Spring    | Straight | Soldering  | AWG22 ~ 30       | For thick cable  | DF02P026F22A1 | DF02D026A21 | Please contact us. |  |
| 36              | Lock Spring    | Straight | IDC        | AWG 28           | φ6.0 ~ 8.5       | DF02P036G28A1 | DF02C036A11 | DF02HCLP04B        | φ6.0 ~ 6.5   |
|                 |                |          |            |                  |                  |               |             | DF02HCLP12B        | φ7.5 ~ 8.0   |
|                 |                |          |            |                  |                  |               |             | DF02HCLP06B        | φ8.0 ~ 8.5   |
| 36              | Lock Spring    | Angle    | Soldering  | AWG22 ~ 30       | φ6.0 ~ 10.5      | DF02P036F22A1 | DF02F036A11 | DF02HCLP04B        | φ6.0 ~ 6.5   |
|                 |                |          |            |                  |                  |               |             | DF02HCLP12B        | φ7.5 ~ 8.0   |
|                 |                |          |            |                  |                  |               |             | DF02HCLP06B        | φ8.5 ~ 9.0   |
|                 |                |          |            |                  |                  |               |             | DF02HCLP07B        | φ9.0 ~ 9.5   |
|                 |                |          |            |                  |                  |               |             | DF02HCLP08B        | φ10.0 ~ 10.5                                       |
| 36              | Screw Lock     | Straight | Soldering  | AWG22 ~ 30       | φ5.5 ~ 8.0       | DF02P036F22A1 | DF02D036B11 | DF02HCLP04B        | φ5.5 ~ 6.0   |
|                 |                |          |            |                  |                  |               |             | DF02HCLP12B        | φ7.0 ~ 7.5   |
|                 |                |          |            |                  |                  |               |             | DF02HCLP06B        | φ7.5 ~ 8.0   |
| 36              | Lock Spring    | Straight | Soldering  | AWG22 ~ 30       | For thick cable  | DF02P036F22A1 | DF02F036A21 | Please contact us. |  |
| 50              | Lock Spring    | Straight | IDC        | AWG 28           | φ6.0 ~ 10.5      | DF02P050G28A1 | DF02C050A11 | DF02HCLP04B        | φ6.0 ~ 6.5   |
|                 |                |          |            |                  |                  |               |             | DF02HCLP12B        | φ7.5 ~ 8.0   |
|                 |                |          |            |                  |                  |               |             | DF02HCLP06B        | φ8.0 ~ 8.5   |
|                 |                |          |            |                  |                  |               |             | DF02HCLP07B        | φ9.0 ~ 9.5   |
|                 |                |          |            |                  |                  |               |             | DF02HCLP08B        | φ10.0 ~ 10.5                                       |
| 50              | Lock Spring    | Straight | IDC        | AWG 30           | φ6.0 ~ 10.5      | DF02P050G30A1 | DF02C050A11 | DF02HCLP04B        | φ6.0 ~ 6.5   |
|                 |                |          |            |                  |                  |               |             | DF02HCLP12B        | φ7.5 ~ 8.0   |
|                 |                |          |            |                  |                  |               |             | DF02HCLP06B        | φ8.0 ~ 8.5   |
|                 |                |          |            |                  |                  |               |             | DF02HCLP07B        | φ9.0 ~ 9.5   |
|                 |                |          |            |                  |                  |               |             | DF02HCLP08B        | φ10.0 ~ 10.5                                       |
| 50              | Lock Spring    | Straight | Soldering  | AWG22 ~ 30       | φ6.0 ~ 10.5      | DF02P050F22A1 | DF02D050A11 | DF02HCLP04B        | φ6.0 ~ 6.5   |
|                 |                |          |            |                  |                  |               |             | DF02HCLP12B        | φ7.5 ~ 8.0   |
|                 |                |          |            |                  |                  |               |             | DF02HCLP06B        | φ8.0 ~ 8.5   |
|                 |                |          |            |                  |                  |               |             | DF02HCLP07B        | φ9.0 ~ 9.5   |
|                 |                |          |            |                  |                  |               |             | DF02HCLP08B        | φ10.0 ~ 10.5                                       |
| 50              | Lock Spring    | Straight | Soldering  | AWG22 ~ 30       | For thick cable  | DF02P050F22A1 | DF02D050A21 | Please contact us. |  |
| 68              | Lock Spring    | Straight | IDC        | AWG 28           | φ6.0 ~ 10.5      | DF02P068G28A1 | DF02C068A11 | DF02HCLP04B        | φ6.0 ~ 6.5   |
|                 |                |          |            |                  |                  |               |             | DF02HCLP12B        | φ7.5 ~ 8.0   |
|                 |                |          |            |                  |                  |               |             | DF02HCLP06B        | φ8.0 ~ 8.5   |
|                 |                |          |            |                  |                  |               |             | DF02HCLP07B        | φ9.0 ~ 9.5   |
|                 |                |          |            |                  |                  |               |             | DF02HCLP08B        | φ10.0 ~ 10.5                                       |

|          |
|----------|
| IDC Tool |
|----------|

● Bench Manual IDC Tool: Standard type

| Applicable Wire |            | No. of Contacts                      | Process                              |                            |                      |            |
|-----------------|------------|--------------------------------------|--------------------------------------|----------------------------|----------------------|------------|
|                 |            |                                      | Wiring, Cutting, IDC                 |                            |                      |            |
| AWG             | Outer Dia. |                                      | Hand-press                           | Applicator                 | Attachment           |            |
|                 |            | Tool Part No. / Handling Instruction | Tool Part No. / Handling Instruction | Tool Part No.              | Handling Instruction |            |
| 28              | φ0.58      | 14                                   | CP110-3<br>/T707039                  | MT250-TX20A-2B<br>/T704064 | AT214-DF02-1         | T704064-01 |
|                 |            | 20                                   |                                      |                            | AT220-DF02-1         |            |
|                 |            | 26                                   |                                      |                            | AT226-DF02-1         |            |
|                 |            | 36                                   |                                      |                            | AT236-DF02-1         |            |
|                 |            | 50                                   |                                      |                            | AT250-DF02-1         |            |
|                 |            | 68                                   |                                      |                            | AT268-DF02-1         |            |
| 30              | φ0.51      | 14                                   |                                      |                            | AT214-DF02-2         |            |
|                 |            | 50                                   |                                      |                            | AT250-DF02-2         |            |

● Bench Manual IDC Tool: Simplified type

| Applicable Wire |                     | No. of Contacts | Process                              |                                      |  |  |
|-----------------|---------------------|-----------------|--------------------------------------|--------------------------------------|--|--|
|                 |                     |                 | Wiring                               | Cutting                              | IDC  |  |
| AWG             | Outer Dia.          |                 | Tool Part No. / Handling Instruction | Tool Part No. / Handling Instruction | Hand-press<br>Tool Part No. / Handling Instruction | Attachment<br>Tool Part No. / Handling Instruction |
| 28              | φ0.51<br>~<br>φ0.64 | 14              | AR-DF02-1<br>/T759106                | CC-DF02-1<br>/T751069                | CP110-3<br>/T707039                                | MT-DF02-1<br>/T704197                              |
|                 |                     | 20              |                                      |                                      |  |  |
|                 |                     | 26              |                                      |                                      |  |  |
|                 |                     | 36              |                                      |                                      |  |  |
|                 |                     | 50              |                                      |                                      |  |  |
|                 |                     | 68              |                                      |                                      |  |  |
| 30              |                     | 14              |                                      |                                      |  |  |
|                 |                     | 50              |                                      |                                      |  |  |

Note) There are two types of bench manual IDC tool, standard type and simplified type. Simplified type is applicable to wide range of outer cable diameter (φ0.51~φ0.64) and the attachment parts are common to all pin counts.

Please contact our Product Marketing Division for further information.

|                     |
|---------------------|
| Technical Documents |
|---------------------|

|                      | Technical Document No. (Contents of Documents) |
|----------------------|--|
| Specification        | JACS-30303                                     |
| Handling Instruction | JAHL-30303                                     |

**Notice:**

1. The values specified in this brochure are only for reference. The products and their specifications are subject to change without notice. Contact our sales staff for further information before considering or ordering any of our products. For purchase, a product specification must be agreed upon.

2. Users are requested to provide protection circuits and redundancy circuits to ensure safety of the equipment, and sufficiently review the suitability of JAE's products to the equipment.

3. The products presented in this brochure are designed for the uses recommended below. We strongly suggest you contact our sales staff when considering use of any of the products in any other way than the recommended applications or for a specific use that requires an extremely high reliability.

(1) Applications that require consultation:

(i) Please contact us if you are considering use involving a quality assurance program that you specify or that is peculiar to the industry, such as:

Automotive electrical components, train control, telecommunications devices (mainline), traffic light control, electric power, combustion control, fire prevention or security systems, disaster prevention equipment, etc.

(ii) We may separately give you our support with a quality assurance program that you specify, when you think of a use such as :

Aviation or space equipment, submarine repeaters, nuclear power control systems, medical equipment for life support, etc.

(2) Recommended applications include:

Computers, office appliances, telecommunications devices (terminals, mobile units), measuring equipment, audiovisual equipment, home electric appliances, factory automation equipment, etc

**Japan Aviation Electronics Industry, Limited**

Product Marketing Division

Aobadai Building, 3-1-19, Aobadai, Meguro-ku, Tokyo 153-8539

Phone: +81-3-3780-2882 FAX: +81-3-3780-2946

\* The specifications in this brochure are subject to change without notice. Please contact JAE for information.