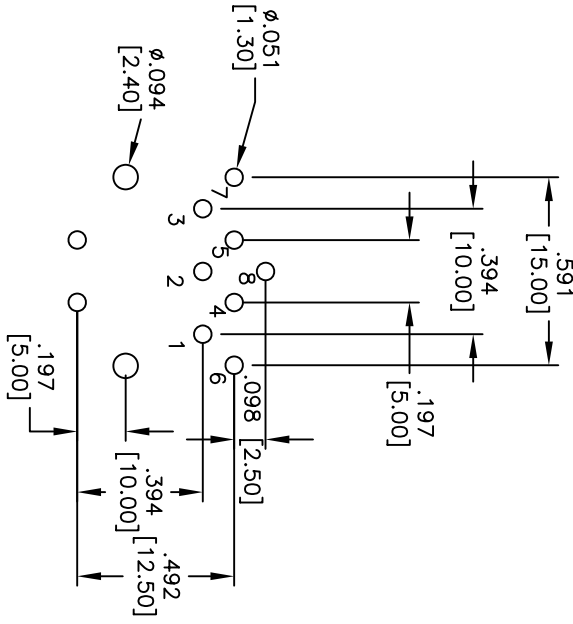
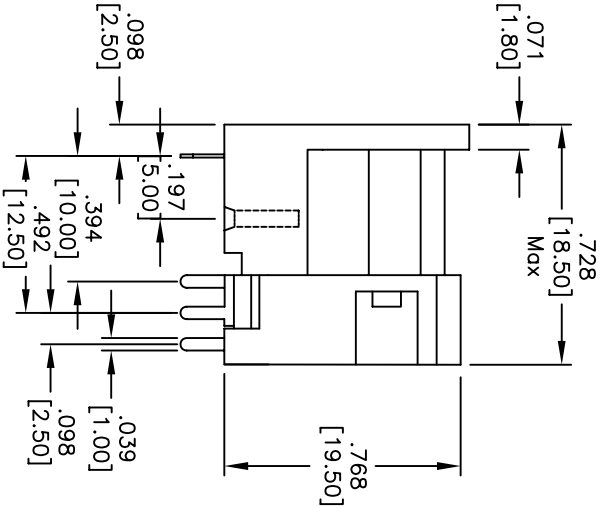
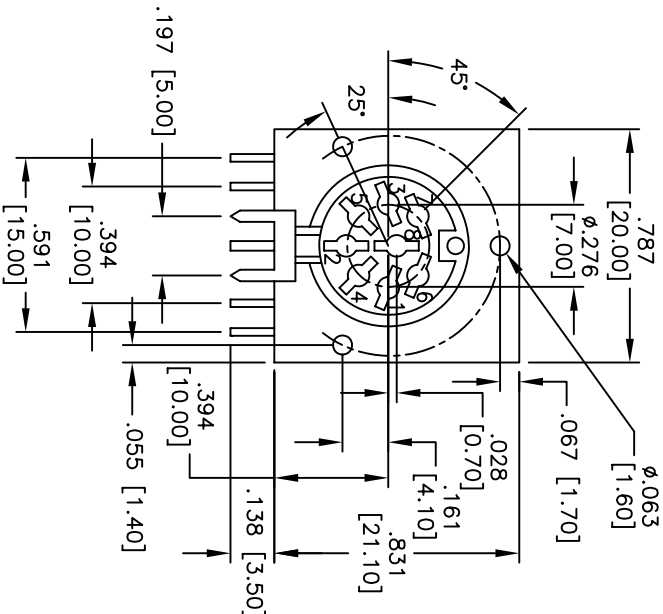


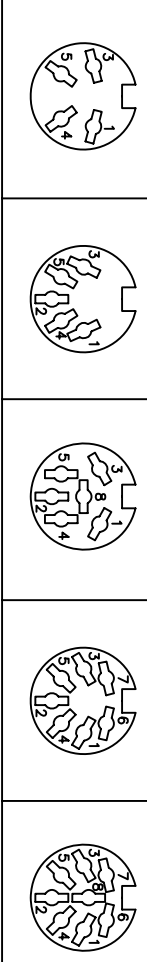
Rev	AWO #	Description	Date	Appr
-		RELEASED	11/12/08	

APPROVED: _____
 DATE: _____ TITLE: _____



RECOMMENDED PCB LAYOUT
(TOP VIEW)

MATING FACE CONFIGURATIONS					
DJ-004-.5-3H	DJ-005-.5-3H	DJ-006-.5-3H	DJ-007-.5-3H	DJ-008-.5-3H	



SPECIFICATIONS:
Material:
 Insulator: PBT, Glass filled, rated UL 94V-0
 Insulator color: Black
 Contacts: Brass
 Plating:
 Tin over Copper underplate overall
Electrical:
 Operating voltage: 24 VDC max.
 Current rating: 1 Amps max.
 Contact resistance: 20 mohms max. initial
 Insulation resistance: 100 Mohms @ 500V DC
 Dielectric withstanding voltage: 500 VAC for 1 minute
 Temperature Rating:
 Operating temperature: -25°C to +100°C
Environmental:
 Lead free, RoHS compliant.
 Recommended soldering temp: 235°C for 5 sec.



ADAM TECH

909 Railway Avenue, Union, NJ 07083
 Phone: 908-687-5000 Fax: 908-687-5710

DIN JACK, NON-SHIELDED, 3 HOLES
 .197 [5.00] CENTERLINE FRONT PINS

UNLESS OTHERWISE SPECIFIED ALL DIMENSIONS ARE INCHES [MM] TOLERANCES: EXCEPT AS NOTED INCHES		HOLE SIZE		DATE	
.X	± .10	ØXX	± .10		
.XX	± .020	ØXXX	± .015		
.XXX	± .015	ØXXXX	± .010		
DRAWN		DY		11/12/08	
CHECKED					
APPROVED					
TITLE		SIZE		PART NO.	
DIN JACK, NON-SHIELDED, 3 HOLES		X		DJ-XXX-5-3H	
REF: S0002BT		SCALE: NTS		SHEET 1 OF 1	