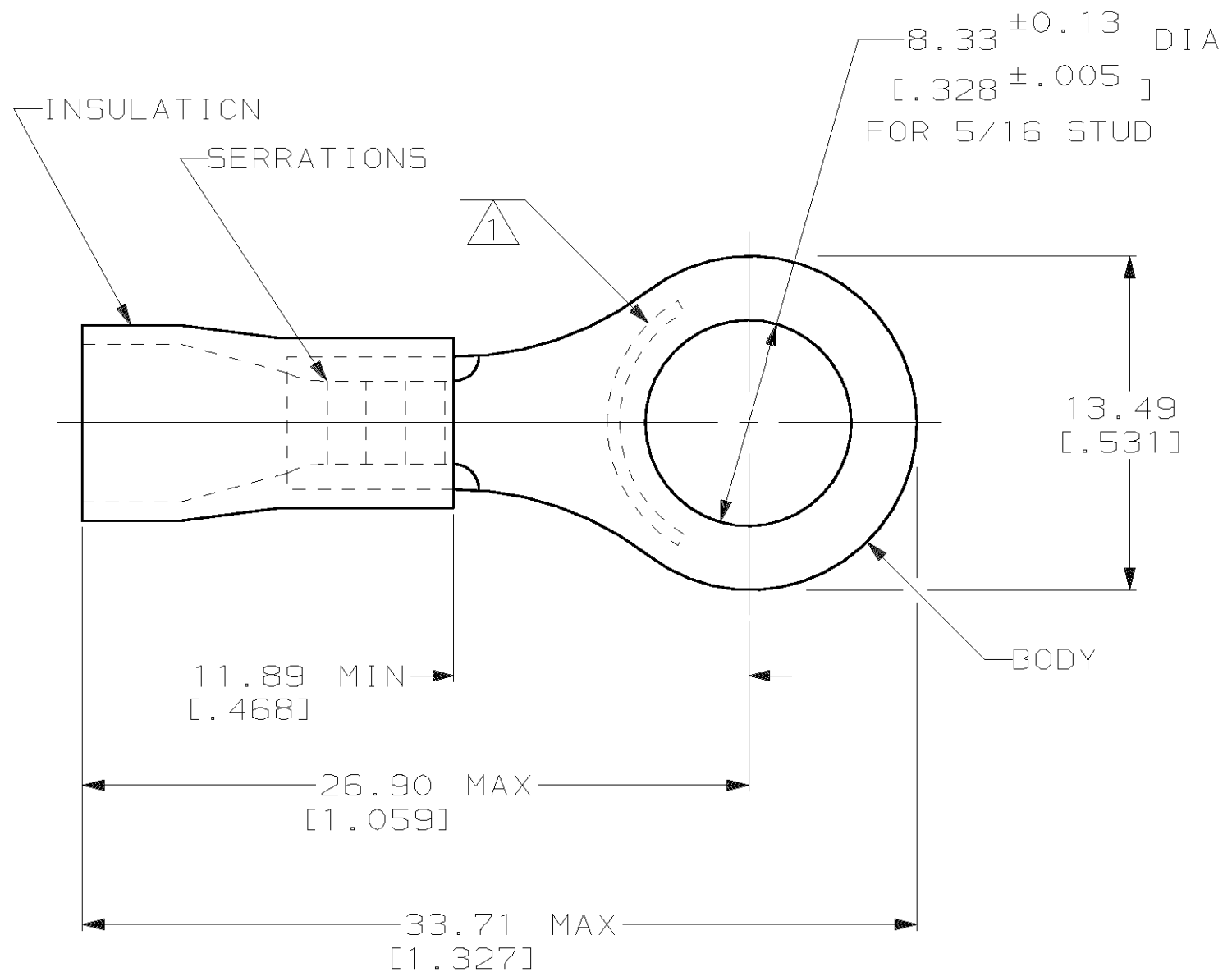


THIS DRAWING IS UNPUBLISHED. RELEASED FOR PUBLICATION, 19 .
 © COPYRIGHT 19 BY AMP INCORPORATED. ALL INTERNATIONAL RIGHTS RESERVED.

LOC	DIST	P	F	REVISIONS				
G	14			ZONE	LTR	DESCRIPTION	DATE	APPD
					N	ADDED -24 PER 0G3A-0416-00	20JUN00	JR/TM

AMP WIRE RANGE	UL Listed	SR LR7189 Certified
12-10 AWG SOLID OR STRANDED	12-10 AWG SOLID OR STRANDED	12-10 AWG SOLID OR STRANDED



- ① STAMP AMP 12-10* APPROX AS SHOWN
- ② WIRE INSULATION DIA: .150-.250
- ③ TONGUE MATERIAL THK: 1.02±0.05 [0.040±.002]
- ④ TIN PLATE PER ASTM B 545
- ⑤ GOLD FLASH PER MIL-G-45204 OVER NICKEL PLATE PER QQ-N-290
- ⑥ YELLOW INSULATION
- ⑦ RED INSULATION
- ⑧ PRELIMINARY - NOT FOR PREPRODUCTION

⑦⑤	2500	ON TAPE, REEL	34856-4
⑦④	2500	ON TAPE, REEL	34856-2
OBSOLETE	25	LOOSE PC, BAG	8-34856-5
⑥④	50	LOOSE PC, BOX	8-34856-2
⑧⑥④	1000	ON TAPE, REEL	2-34856-4
⑥④	2500	ON TAPE, REEL	2-34856-1
⑥④	-	LOOSE PIECE	34856

AMP INCORPORATED CUSTOMER SERVICE SYSTEMS		MAX RECOMMENDED OPERATING TEMPERATURE: 90°C MAX	DO NOT SCALE PRINT. UNLESS SPECIFIED DIMENSIONS IN mm [INCHES] TOLERANCES ON: 2 PLC DEC ± 0.20[.008] 3 PLC DEC ± - ANGLES ± -	DR 08/06/92 DK SCHRUM	AMP AMP Incorporated Harrisburg, PA 17105-3608
FOR ADDITIONAL PRODUCT INFORMATION OR COPIES OF DRAWINGS AND TECHNICAL DOCUMENTS	PRODUCT INFORMATION CENTER 1-800-522-6752	VOLTAGE RATING: NOT APPLICABLE	MATERIAL COPPER PER ASTM B-152 PVC	CHK 11/10/92 RE HERSEY	
FOR APPLICATION TOOLING INFORMATION	TOOLING ASSISTANCE CENTER 1-800-722-1111	CIRCULAR MIL AREA: 2.62-6.64mm² [5,180-13,100] SOLID OR STRANDED	FINISH SEE NOTES 4 & 5	APPD 11/10/92 ML ELLIS	NAME TERMINAL, RING TONGUE, PLASTI-GRIP™
FOR ORDER ENTRY	1-800-526-5142	THIS DRAWING IS A CONTROLLED DOCUMENT FOR AMP INCORPORATED. IT IS SUBJECT TO CHANGE AND THE CONTROLLING ENGINEERING ORGANIZATION SHOULD BE CONTACTED FOR THE LATEST REVISION.		APPD 11/10/92 M BARNABA	SIZE B CAGE CODE 00779 DRAWING NO C-34856
				PRODUCT SPEC 108-1034	SCALE 4:1 SHEET 1 OF 1