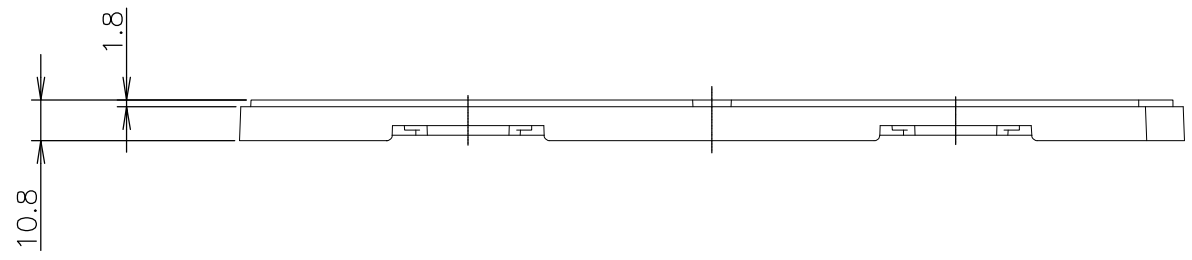
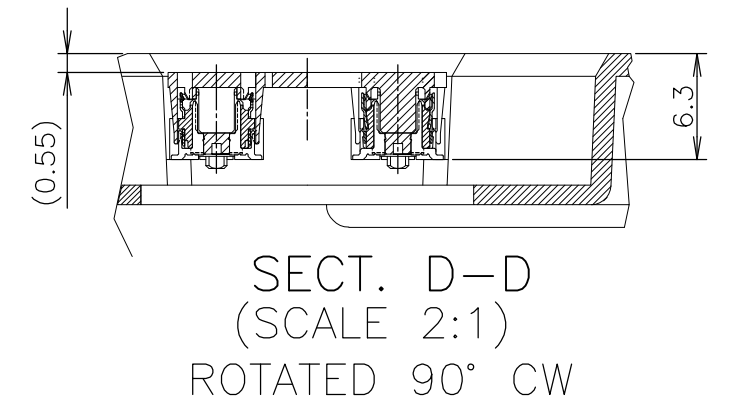
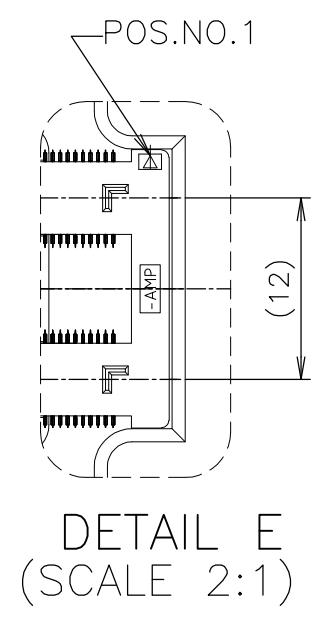
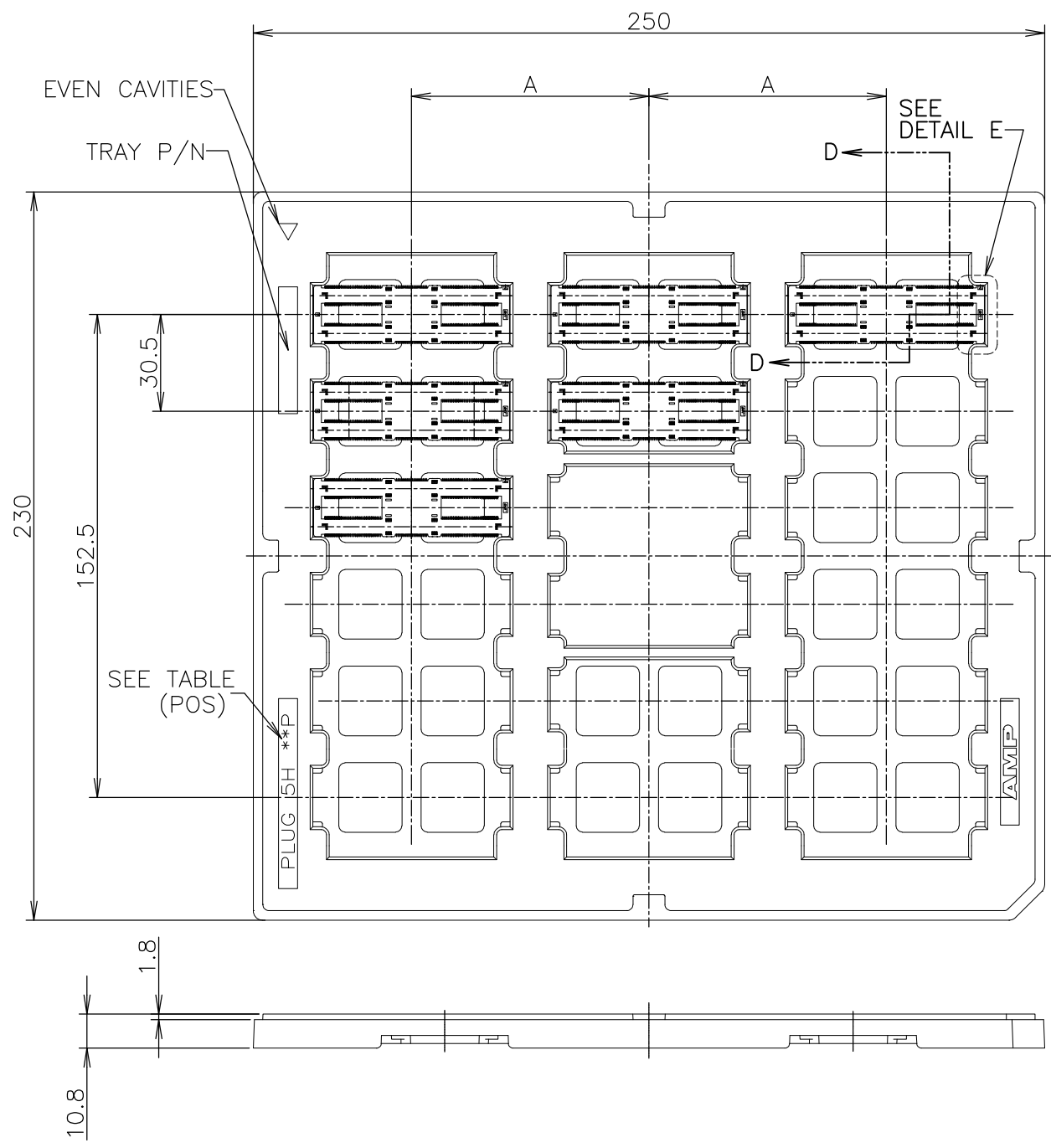

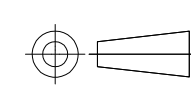


THIS DRAWING IS UNPUBLISHED. RELEASED FOR PUBLICATION .2005.
 © COPYRIGHT 2005 By - ALL RIGHTS RESERVED.

LOC	DIST	REVISIONS			
P	LTR	DESCRIPTION	DATE	DWN	APVD
J		B1	REVISED PER ECO-11-005030	11MAR11	RK HMR



NO	3	18	75	440	3-1827233-6
SEALANT	ROW	QTY	A	POS.	PART NO.

THIS DRAWING IS A CONTROLLED DOCUMENT.		DWN S.CH IEN 18MAY05	 TE Connectivity HARD TRAY ASSY FH 0.5 BTB CONNECTOR 440POS PLUG 5H W/G-PLATE ON 2 ROW CAP			
DIMENSIONS: MM		CHK T.FUTATSUGI 18MAY05				NAME
TOLERANCES UNLESS OTHERWISE SPECIFIED: 0 PLC ± 0.3 1 PLC ± 0.3 2 PLC ± 0.3 3 PLC ± 0.3 4 PLC ± 0.3 ANGLES ± 3°		APVD W.KODAMA 18MAY05				PRODUCT SPEC
		108-5560				APPLICATION SPEC
MATERIAL		WEIGHT	SIZE A3	CAGE CODE 00779	DRAWING NO C-1827233	RESTRICTED TO
CUSTOMER DRAWING			SCALE 1:2	SHEET 1 OF 4	REV B1	

4

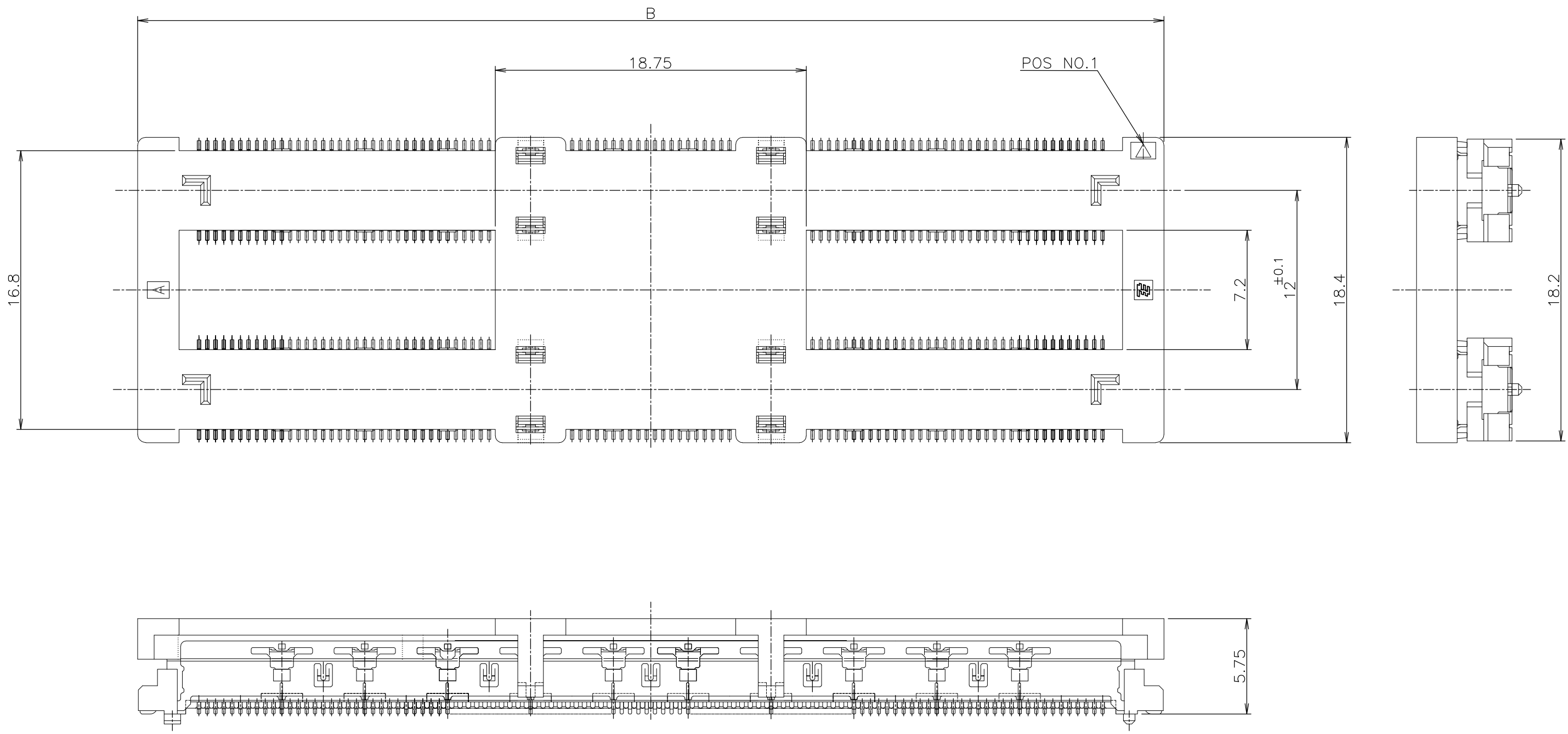
3

2

1

THIS DRAWING IS UNPUBLISHED. RELEASED FOR PUBLICATION ,2002.
 © COPYRIGHT 2002 By - ALL RIGHTS RESERVED.

LOC J	DIST /	REVISIONS		
P	LTR	DESCRIPTION	DATE	DWN
	-	SEE SHEET 1	-	-
				APVD

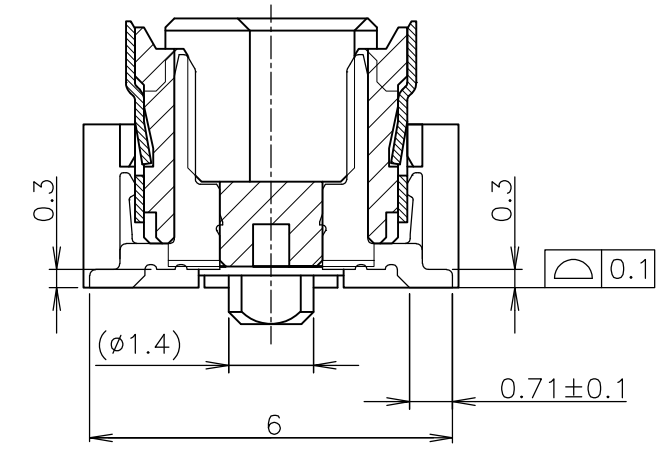
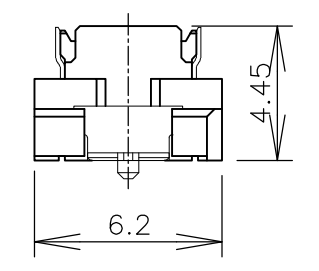
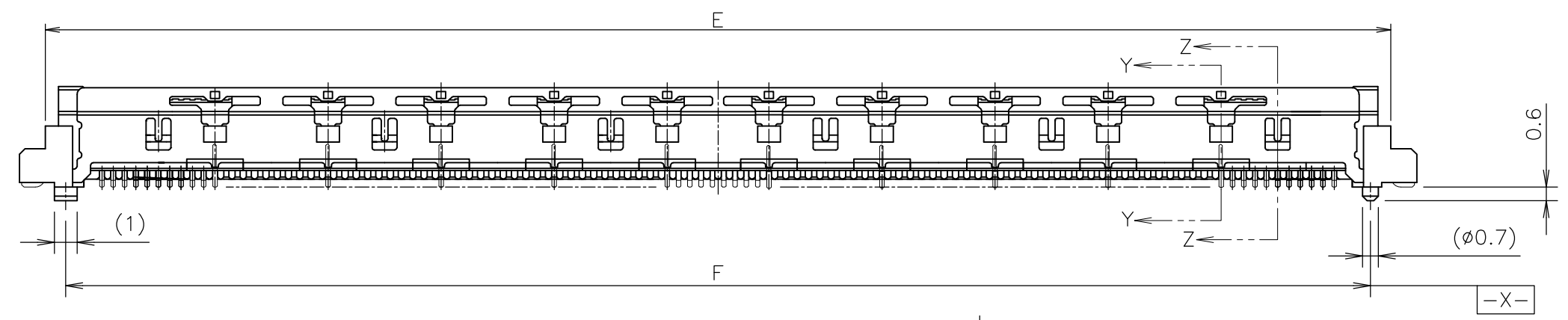
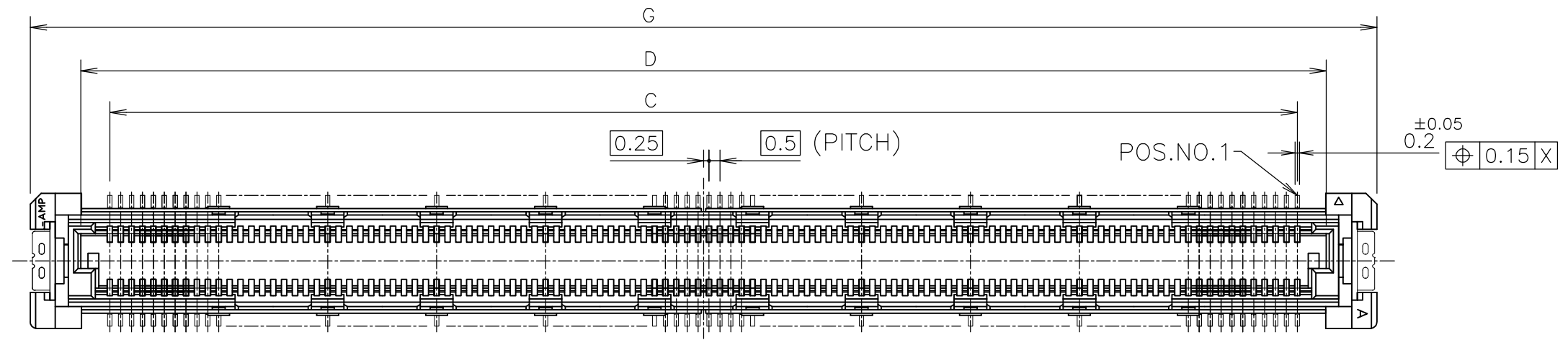


BLACK	61.9	440	3-1827233-6
CAP COLOR	B	POS	PART NO.

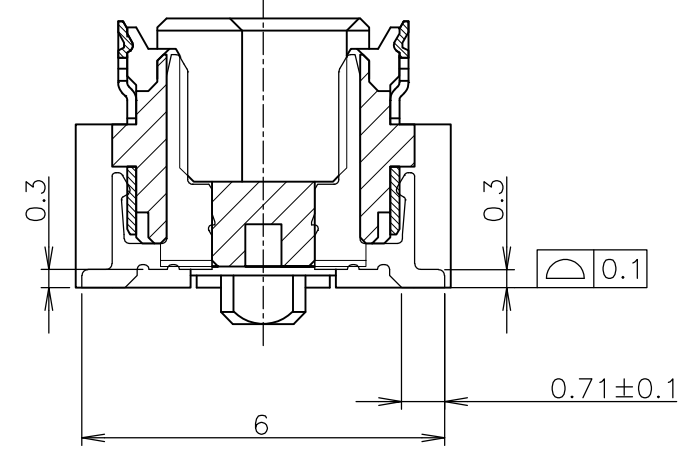
THIS DRAWING IS A CONTROLLED DOCUMENT.		DWN	TE Connectivity NAME HARD TRAY ASSY FH 0.5 BTB CONNECTOR 440POS PLUG 5H W/G-PLATE ON 2 ROW CAP	
DIMENSIONS: MM		CHK		
		APVD		
TOLERANCES UNLESS OTHERWISE SPECIFIED: 0 PLC ± 0.3 1 PLC ± 0.3 2 PLC ± 0.3 3 PLC ± 0.3 4 PLC ± 0.3 ANGLES ± 3°		PRODUCT SPEC		
MATERIAL		FINISH	APPLICATION SPEC	RESTRICTED TO
		WEIGHT	SIZE	CAGE CODE
		CUSTOMER DRAWING	A3	00779
		SCALE	DRAWING NO	REV
		4:1	C-1827233	B1
		SHEET	2 OF 4	

THIS DRAWING IS UNPUBLISHED. RELEASED FOR PUBLICATION .2002.
 © COPYRIGHT 2002 By - ALL RIGHTS RESERVED.

LOC	DIST	REVISIONS					
J		P	LTR	DESCRIPTION	DATE	DWN	APVD
		-		SEE SHEET 1	-	-	-



SECT. Z-Z
(SIGNAL POSITION)
(SCALE 8:1)



SECT. Y-Y
(GROUND POSITION)
(SCALE 8:1)

NOTES
 1 MATERIAL ; HOUSING : HIGH TEMP THERMO PLASTIC UL94V-0
 CONTACT : COPPER ALLOY
 SOLDER PEG : COPPER ALLOY
 2 FINISH ; SIGNAL CONTACT : UNDER PL Ni 0.0013mm MIN ALL OVER.
 CONTACT AREA 0.0002mm MIN Au PL.
 SOLDERING AREA 0.00005mm MIN Au PL.
 GROUND CONTACT : UNDER PL Ni 0.0013mm MIN ALL OVER.
 CONTACT AREA 0.0002mm MIN Au PL.
 SOLDERING AREA 0.001mm MIN Sn PL.
 SOLDER PEG : 0.001mm MIN Sn PL. OVER
 0.0013mm MIN Ni PL ALL OVER.
 3 THIS POSITION IS GROUND CIRCUIT.

61.8	57.7	59.5	57.1	54.5	220	BLACK	3-1827233-6
G	F	E	D	C	POS.	HSG COLOR	PART NO.

THIS DRAWING IS A CONTROLLED DOCUMENT.		DWN		TE Connectivity HARD TRAY ASSY FH 0.5 BTB CONNECTOR 440POS PLUG 5H W/G-PLATE ON 2 ROW CAP															
DIMENSIONS: MM		TOLERANCES UNLESS OTHERWISE SPECIFIED:				NAME													
<table border="1"> <tr><td>0 PLC</td><td>± 0.3</td></tr> <tr><td>1 PLC</td><td>± 0.3</td></tr> <tr><td>2 PLC</td><td>± 0.3</td></tr> <tr><td>3 PLC</td><td>± 0.3</td></tr> <tr><td>4 PLC</td><td>± 0.3</td></tr> <tr><td>ANGLES</td><td>± 3'</td></tr> </table>		0 PLC	± 0.3			1 PLC	± 0.3	2 PLC	± 0.3	3 PLC	± 0.3	4 PLC	± 0.3	ANGLES	± 3'	APVD		SIZE	
0 PLC	± 0.3																		
1 PLC	± 0.3																		
2 PLC	± 0.3																		
3 PLC	± 0.3																		
4 PLC	± 0.3																		
ANGLES	± 3'																		
MATERIAL		FINISH		CAGE CODE															
1		2		DRAWING NO															
				A3 00779 C-1827233															
CUSTOMER DRAWING		SCALE 4:1		SHEET 3 OF 4															
				REV B1															

4

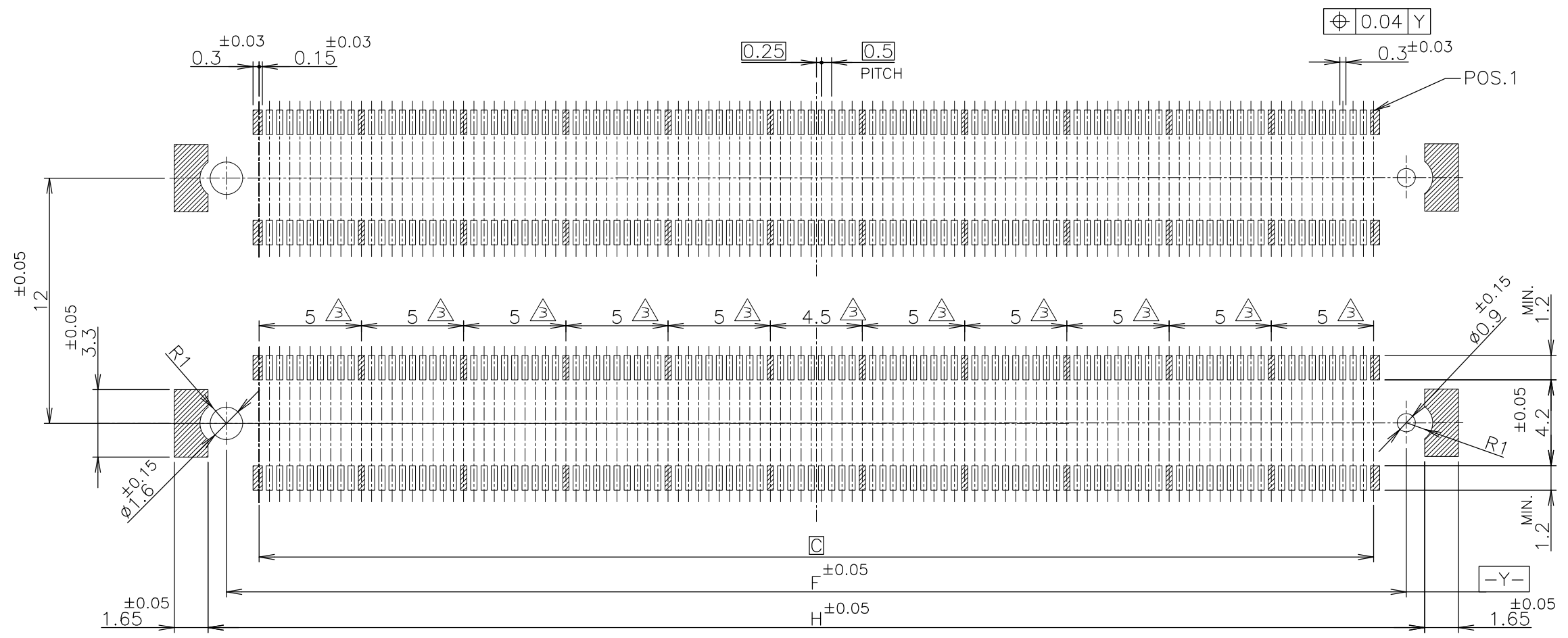
3

2

1

THIS DRAWING IS UNPUBLISHED. RELEASED FOR PUBLICATION .2002.
 © COPYRIGHT 2002 By - ALL RIGHTS RESERVED.

LOC	DIST	REVISIONS					
J		P	LTR	DESCRIPTION	DATE	DWN	APVD
		-		SEE SHEET 1	-	-	-



REFERENCE P.C.BOARD LAYOUT

59.5	440	3-1827233-6
H	POS	PART NO.

THIS DRAWING IS A CONTROLLED DOCUMENT.		DWN	TE Connectivity NAME HARD TRAY ASSY FH 0.5 BTB CONNECTOR 440POS PLUG 5H W/G-PLATE ON 2 ROW CAP				
DIMENSIONS: MM		CHK					
		APVD					
TOLERANCES UNLESS OTHERWISE SPECIFIED: 0 PLC ± 0.3 1 PLC ± 0.3 2 PLC ± 0.3 3 PLC ± 0.3 4 PLC ± 0.3 ANGLES ± 3°		PRODUCT SPEC					
MATERIAL		FINISH	APPLICATION SPEC	SIZE	CAGE CODE	DRAWING NO	RESTRICTED TO
CUSTOMER DRAWING			WEIGHT	A3	00779	C-1827233	
			SCALE	4:1	SHEET	4 OF 4	REV B1