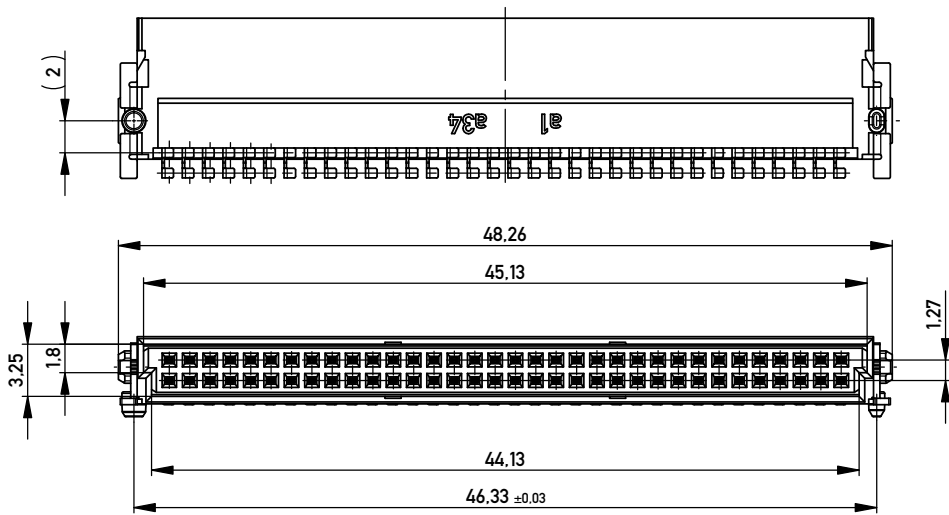


Verpackt in Gurtverpackung - *Tape on Reel Packaging*
 Verpackungseinheit: 560 Stück - *Packaging unit: 560 pcs*

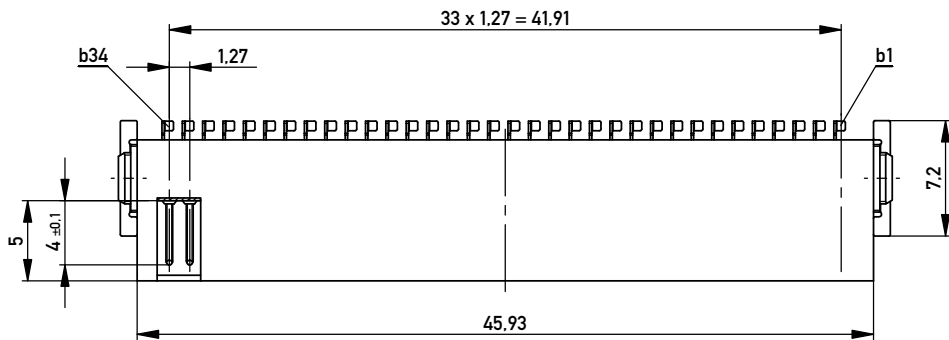
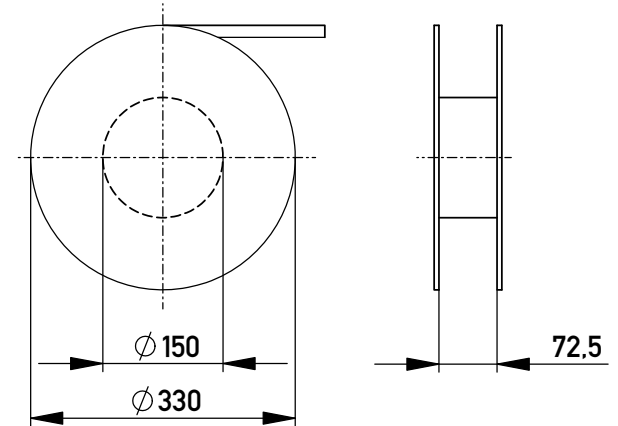


Anforderungsstufe 1
Performance Level 1

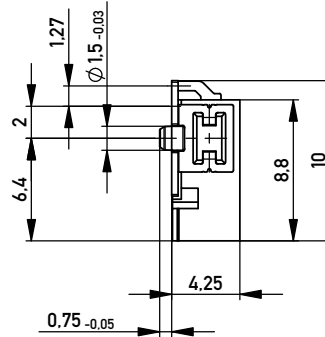
Kontaktbereich vergoldet
Mating Area gold plating

Anschlussbereich verzinkt 4-6 µm
Terminal Area 4-6 µm tin plating

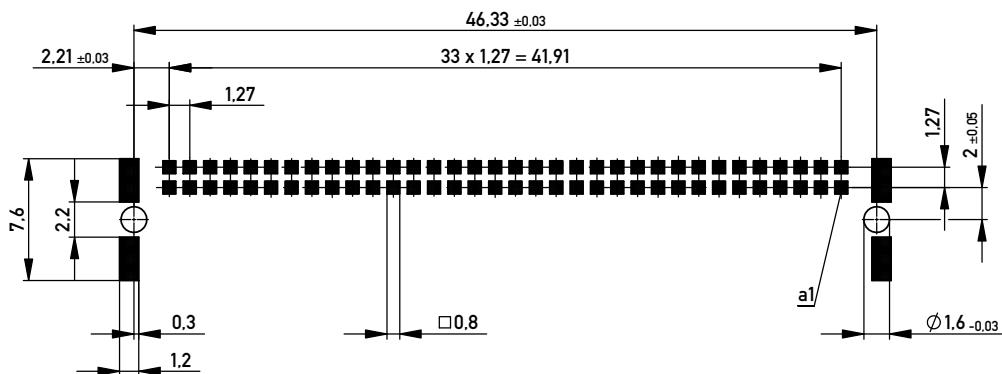
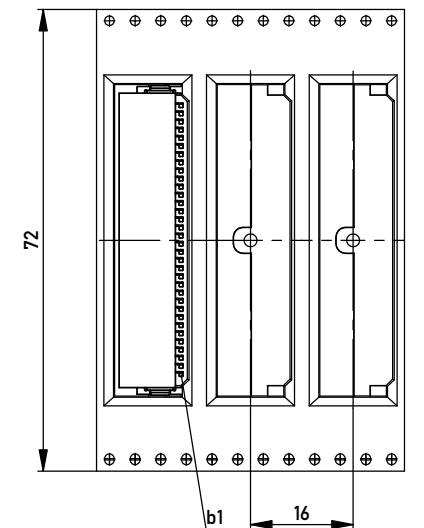
Koplanarität der Anschlüsse ≤ 0.1 mm
Coplanarity Area of Termination ≤ 0.1 mm



Leiterplatten-Layout Vorschlag für SMT
PCB-Layout Proposal for SMT



Abspulrichtung - *Reel off Direction*



BA7-03 - Standard Bauhöhe
type7-03 - Standard Assembly Height

Information:	Tolerances	 All Dimensions in mm	Scale	3:1
	All rights reserved. Only for Information. To ensure that this is the latest version of this drawing, please contact one of the ERNI companies before using.		Designation Messrl. SMC-B 68-SMD-BA7-03 <i>Male SMC-B 68-SMD-type7-03</i>	
Subject to modification without prior notice. Drawing will not be updated.		 www.ERNI.com	154766	
c	18.10.2011		Class SMCB	
Index	Date	I A3		

Copyright by ERNI GmbH
 Proprietary notice pursuant to ISO 16016 to be observed.