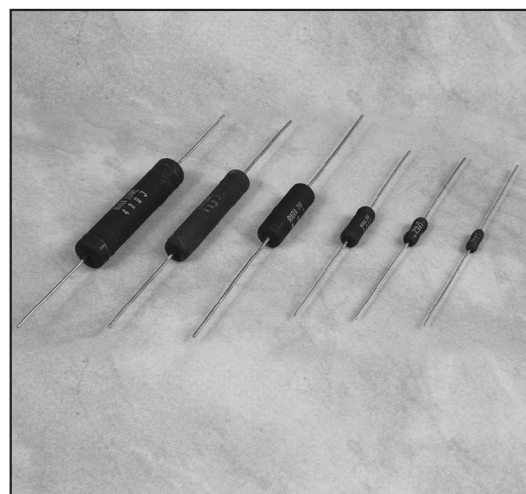


Wire Wound Resistors

• Applications : Electronics, communication and associated equipment

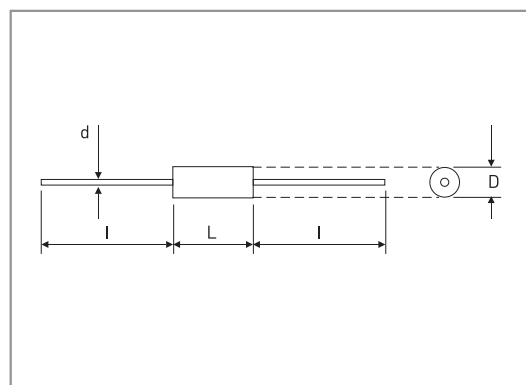
SPECIFICATIONS

Model	Power Rating [W]	Max. Working Voltage [V]	Resistance Range[Ω]		Tolerance (%)
			W*	N**	
RW 1S	1	12	0.1 ~ 3K	0.1 ~ 1.5K	F [±1%] G [±2%] H [±3%] J [±5%] K [±10%]
RW 1	1	20	0.1 ~ 8K	0.1 ~ 3K	
RW 2	2	50	0.1 ~ 10K	0.1 ~ 4K	
RW 3	3	100	0.1 ~ 18K	0.1 ~ 9K	
RW 5	5	200	0.1 ~ 35K	0.1 ~ 17K	
RW 7	7	400	0.1 ~ 50K	0.1 ~ 25K	
RW 10S	10	700	0.1 ~ 70K	0.1 ~ 35K	
RW 10L	10	800	0.1 ~ 100K	0.1 ~ 50K	

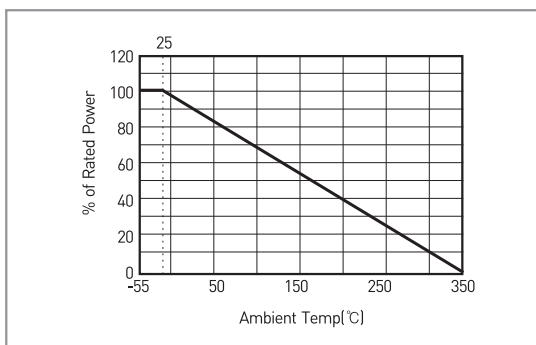


DIMENSIONS [mm]

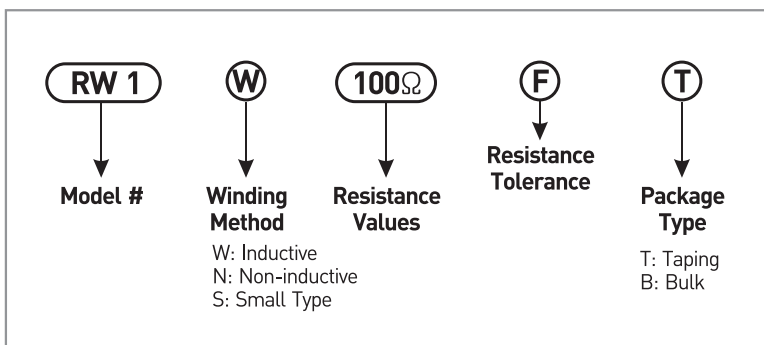
Model	Dimensions [mm]			
	D±1.5	L±1.5	d±0.02	l±5
RW 1S	3.3	10.0	0.8	35
RW 1	4.0	12.0	0.8	35
RW 2, 3	5.9	15.7	0.8	35
RW 5, 7	8.52	24.5	0.8/1.0	44/35
RW 10S	8.52	39.2	0.8/1.0	35
RW 10L	10.5	46.2	0.8/1.0	33



DERATING CURVE



ORDERING PROCEDURE EXAMPLE



CHARACTERISTICS

Values in [] mean change in Ω after test

Insulation Resistance	1GΩ min. dry.	DC 500V, 1minute
Dielectric Withstanding Voltage	±[0.1%+0.05Ω]	AC 500V for 1minute
Short Time Overload	±[2%+0.05Ω]	1W-3W : 5 x Power rating, 5 seconds 5W-10W : 10 x Power rating, 5 seconds
Temperature Coefficient		±300ppm/°C maximum
Moisture Resistance	±[2%+0.05Ω]	0.1 x Power rating, 90~95%RH, 1000hours 90minutes on, 30minutes off, 500hours
Load Life	±[5%+0.05Ω]	25°C, Power rating 90minutes on, 30minutes off, 1000hours
Terminal Strength	No mechanical damages	Direct load : 4.5kg for 10seconds Bending test : 2 cycles
Low Temperature Storage	±[2%+0.05Ω]	-65°C for 24 hours / 25°C for 2hours
High Temperature Exposure	±[3%+0.05Ω]	No load 270°C for 2 hours
Solderability	95% coverage minimum	235°C for 5 seconds
Thermal Shock	±[3%+0.05Ω]	-65°C(30minutes), 25°C(5minutes), 150°C(30minutes), 25°C(5minutes), 5cycles

*Note : Applied voltage : AC RMS voltage