

# KR Electronics, Inc.

## General Description

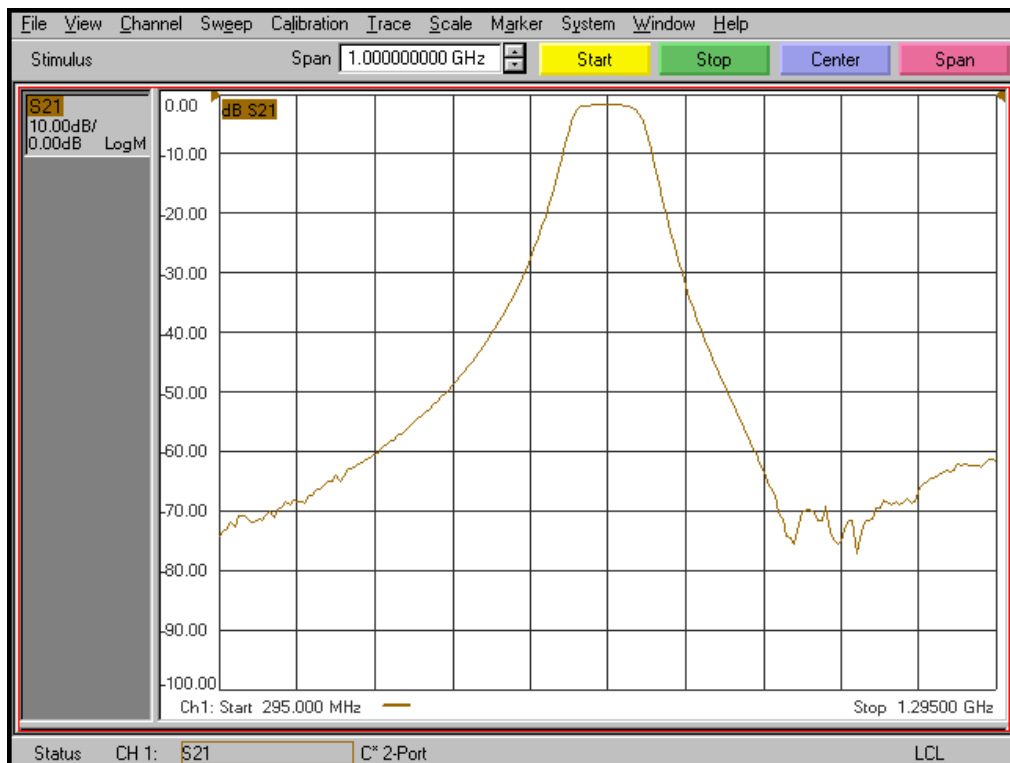
KR Electronics part number 3057 is a 795 MHz bandpass filter. The filter has a typical 3 dB bandwidth of 92 MHz and a typical 50 dB bandwidth of 385 MHz. Other center frequencies and bandwidths are available. Please consult the factory.

### Features

- 795 MHz Bandpass Filter
- 92 MHz typical 3 dB Bandwidth
- 385 MHz typical 50 dB Bandwidth
- 50  $\Omega$  Source and Load
- Surface mount
- Also available with SMA Connectors

## Typical Performance

### Overall Response (10 dB/div)



KR Electronics, Inc.  
91 Avenel Street  
Avenel, NJ 07001

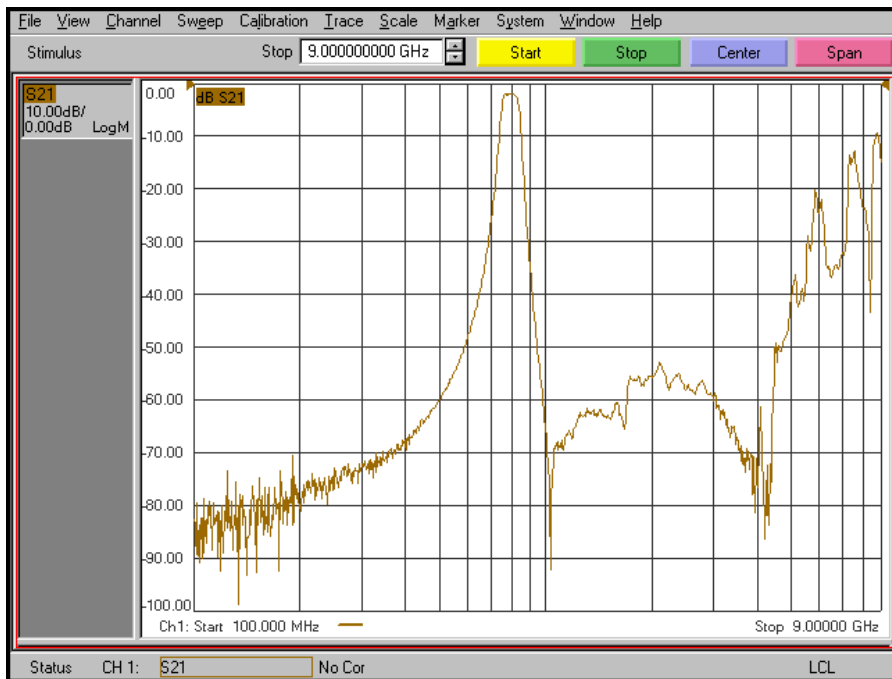
Web [www.krfilters.com](http://www.krfilters.com)  
Email [sales@krfilters.com](mailto:sales@krfilters.com)  
Phone (732) 636-1900  
Fax (732) 636-1982

# KR Electronics 3057

## Passband Amplitude & Group Delay (1 dB/div & 2 nsec/div)



## Overall Response (10 dB/div)



KR Electronics, Inc.  
91 Avenel Street  
Avenel, NJ 07001

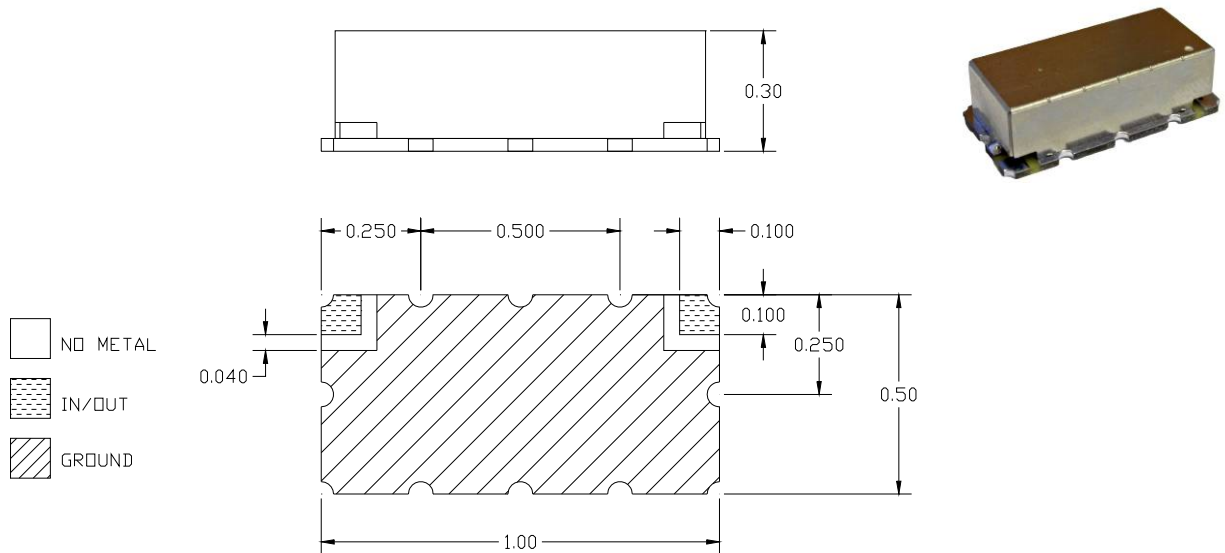
Web [www.krfilters.com](http://www.krfilters.com)  
Email [sales@krfilters.com](mailto:sales@krfilters.com)  
Phone (732) 636-1900  
Fax (732) 636-1982

# KR Electronics 3057

## Specifications

Parameter	Specification	
Filter type	Bandpass	
Center Frequency	795 MHz	
Insertion Loss	3 dB max	2 dB typical
1 dB Bandwidth	75 MHz typical	
3 dB Bandwidth	92 MHz typical	
40 dB Bandwidth	285 MHz typical	
50 dB Bandwidth	385 MHz typical	
Source and Load	50 Ω	

## Physical Dimensions



### Notes:

1. Surface mount package
2. Dimensions in inches
3. Max reflow temperature 230° C for 10 sec
4. If boards are cleaned after installation units must be completely dried

KR Electronics, Inc.  
91 Avenel Street  
Avenel, NJ 07001

Web [www.krfilters.com](http://www.krfilters.com)  
Email [sales@krfilters.com](mailto:sales@krfilters.com)  
Phone (732) 636-1900  
Fax (732) 636-1982