

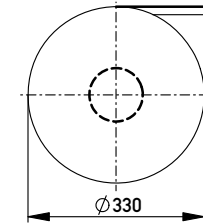
Anforderungsstufe 1
Performance Level 1

Kontaktbereich vergoldet
Mating Area gold plating

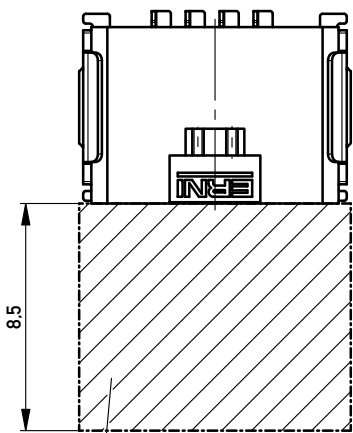
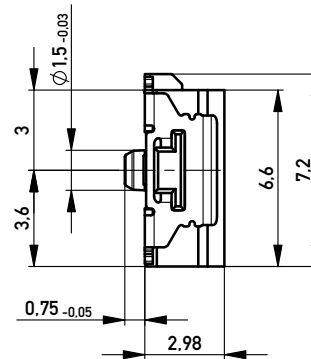
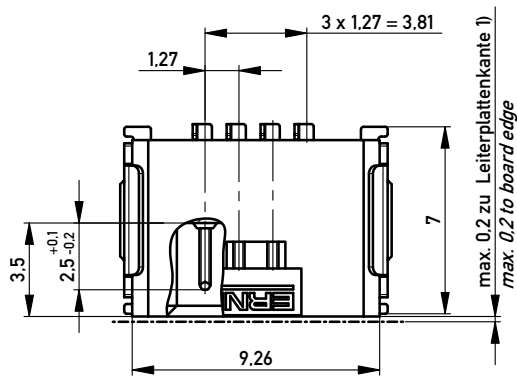
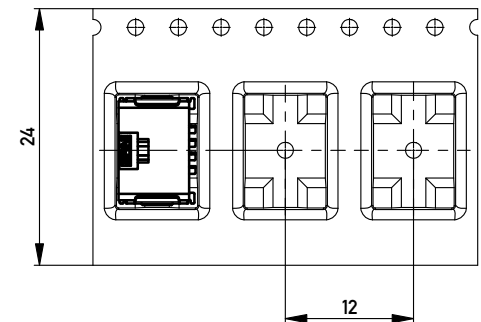
Anschlussbereich verzinkt 4-6 µm
Terminal Area 4-6 µm tin plating

Koplanarität der Anschlüsse ≤ 0,1 mm
Coplanarity Area of Termination ≤ 0,1 mm

Verpackt in Gurtverpackung
Tape on Reel Packaging
Verpackungseinheit: 1000 Stück
Packaging unit: 1000 pcs

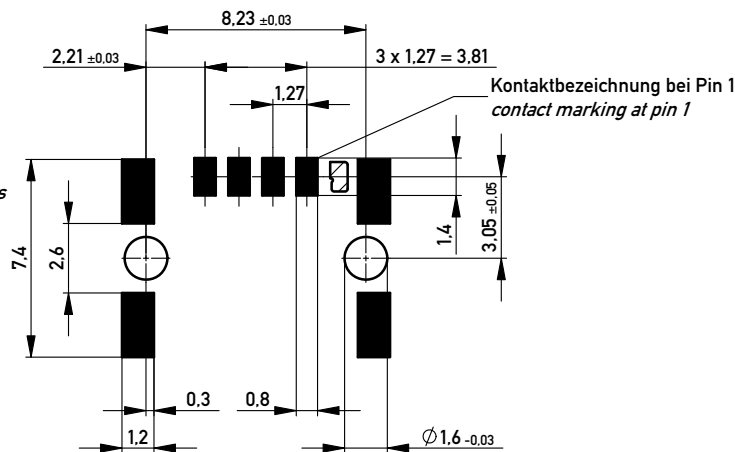


Abspulrichtung - Reel off Direction



Leiterplatten-Layout für SMT
PCB-Layout for SMT

Sperrfläche für Leiterbahnen
gültig bei Verwendung von
Gegenstecker Federleiste 90°
in SKV Ausführung
Restricted area for conductors
valid for use by mating
female connector 90°
in IDC version



1) gültig bei Verwendung von Gegenstecker Federleiste 90° in SMD Ausführung
valid for use by mating female connector 90° in SMD version

Information:		Tolerances	All Dimensions in mm	Scale	5:1
All rights reserved. Only for Information. To ensure that this is the latest version of this drawing, please contact one of the ERNI companies before using.		Subject to modification without prior notice. Drawing will not be updated.		Designation	
		www.ERNI.com		M 1,27 SRC A, 4-polig BA1	
i		08.05.2013		214012	
Index		Date		Class	
				SRCA	
				I	
				A3	

Copyright by ERNI GmbH
Proprietary notice pursuant to ISO 9006 to be observed.