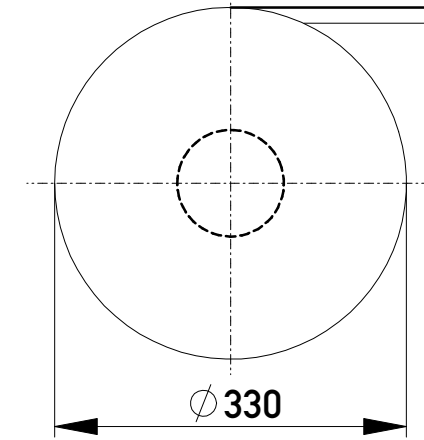
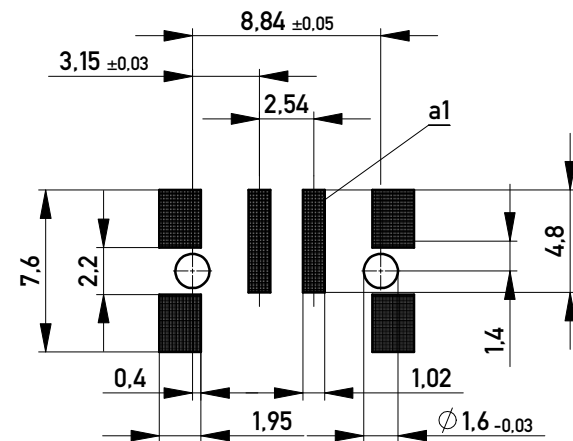


Verpackt in Gurtverpackung
 Tape on Reel Packaging
 Verpackungseinheit: 320 Stück
 Packaging unit: 320 pcs



Leiterplatten-Layout Vorschlag für SMT
 PCB-Layout Proposal for SMT



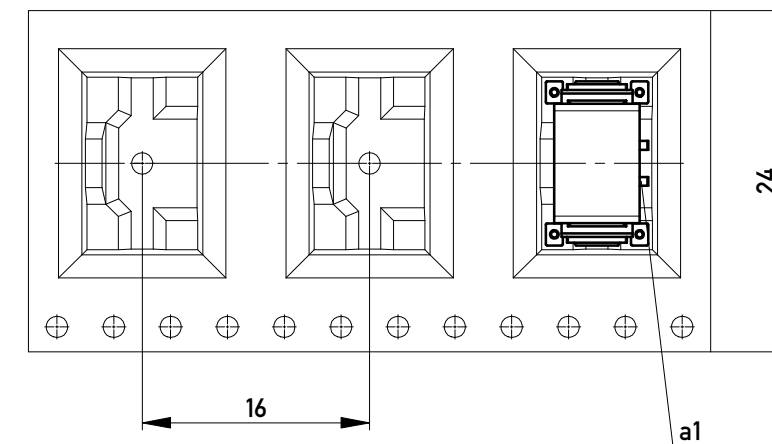
Anforderungsstufe 1
 Performance Level 1

Kontaktbereich vergoldet
 Mating Area gold plating

Anschlussbereich verzinnt 4-6 µm
 Terminal Area 4-6 µm tin plating

Koplanarität der Anschlüsse ≤ 0,1 mm
 Coplanarity Area of Termination ≤ 0.1 mm

Abspulrichtung - Reel off Direction



Information: Codierung, schwarz - coding, black	Tolerances All Dimensions in mm	Scale	3:1
		Designation M 2,54 SRC-P, 2-polig	
All rights reserved. Only for Information. To ensure that this is the latest version of this drawing, please contact one of the ERNI companies before using.	Subject to modification without prior notice. Drawing will not be updated.	100401130001	
		g Index	24.04.2013 Date
www.ERNI.com		Class SRCP	

Copyright by ERNI GmbH
 Proprietary notice pursuant to ISO 16016 to be observed.