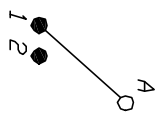
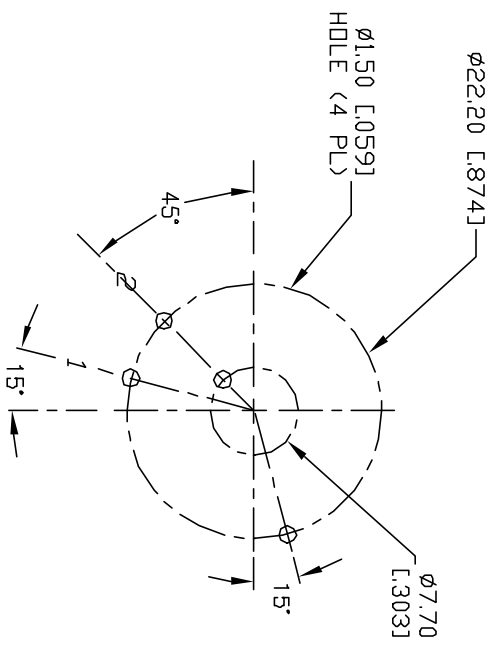


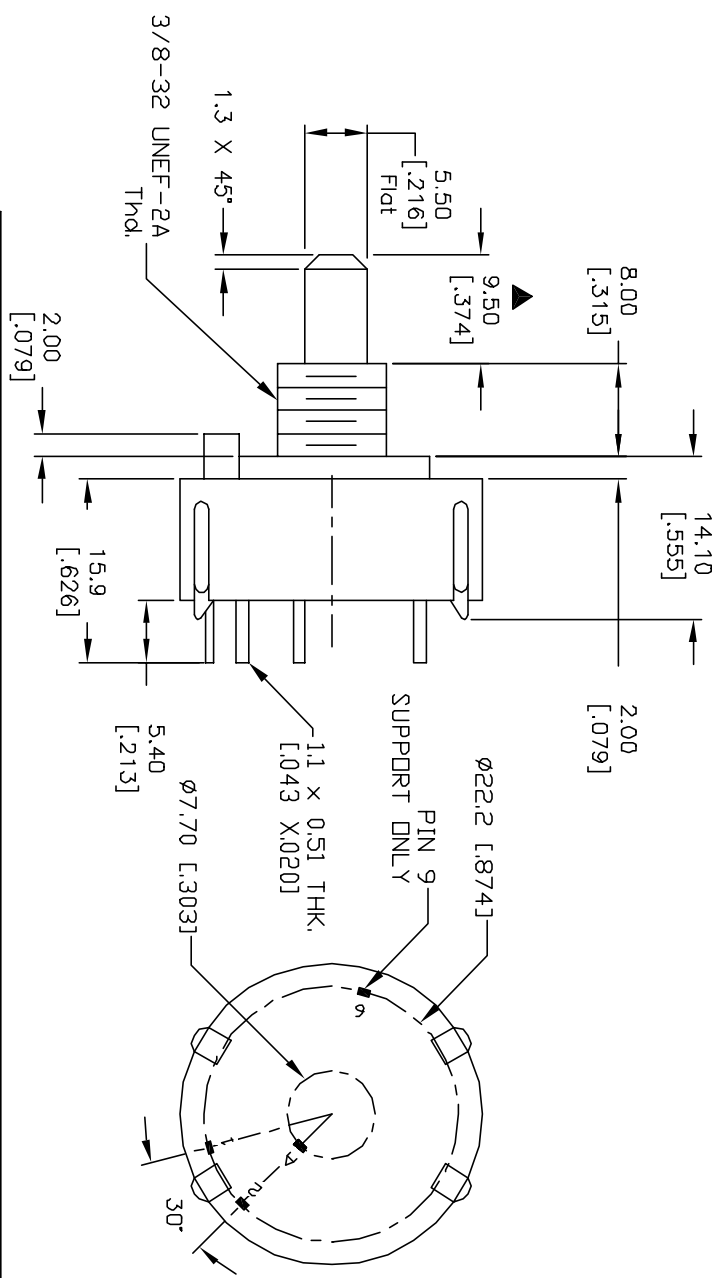
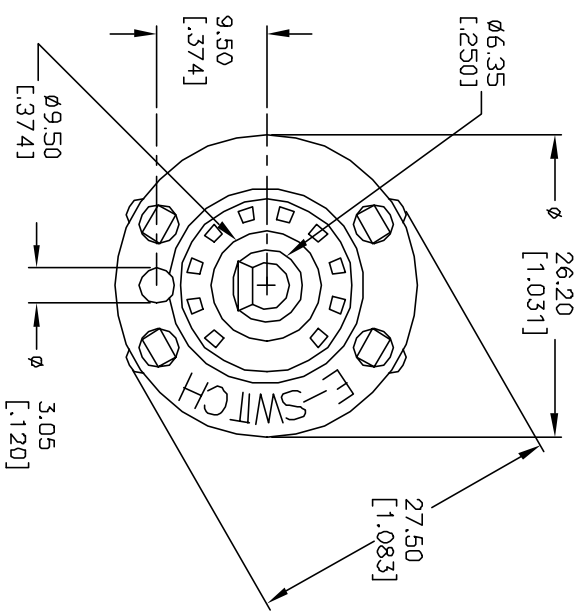
- NOTES:
1. ALL DIMENSION IN MM [INCH]
 2. GENERAL TOLERANCE: X.X=±0.4
X.XX=±0.25
 3. TERM. NOS. FOR REF. ONLY
 4. CONTACT RATING SWITCHING: 150mA, 250V AC/DC
 5. OPERATING FORCE: 425±100 CM/STANDARD
 6. OPERATING TEMP: -30° to 85°C
 7. CIRCUIT SP: 2 POSITIONS, 30° INDEX.
 8. DIELECTRIC STRENGTH: 1000V RMS min. @ SEA LEVEL
 9. DESIGNATE MAJOR DIMENSIONS
 10. LOCK NUT AND WASHER NOT SHOWN.



CONTACT CONFIGURATION
(M/B)



RECOMMENDED P.C.B. LAYOUT



E-SWITCH®

REV.		ECN No.		DESCRIPTION		DATE		CHKD		TITLE		SCALE		DATE		DR		DWG		REV	
A		11301		RELEASED FOR PRODUCTION		3/14/01		CJB		KC-12-E-01-N-P-S		1.5:1		3/14/01		CJB		G527520		A	
<p>THE INFORMATION CONTAINED IN THIS DOCUMENT IS PROPRIETARY TO E-SWITCH AND IS NOT TO BE COPIED OR TRANSFERRED</p>																					