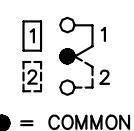

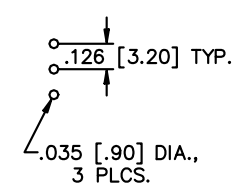
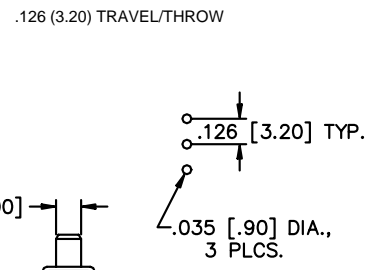

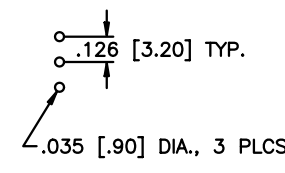


# SLB Series

(with p.c. board stand-off bracket)

## Miniature Slide Switches

| SPECIFICATIONS  | FEATURES   |
|---|--|
| <p><b>Contact ratings:</b> 300 mA at 125 VAC or 30 VDC</p> <p><b>Initial contact resistance:</b> 20 milliohms max.</p> <p><b>Insulation resistance:</b> 100 megohms min. at 500 VDC</p> <p><b>Dielectric strength:</b> 500 volts RMS for 1 minute</p> <p><b>Electrical life:</b> 10,000 cycles min.</p> <p><b>Operating temperature range:</b> -20°C to +85°C</p> <p><b>Actuation force:</b> 220g ± 100g</p> <p><b>Solder heat resistance:</b> 260°C max. for 3 seconds</p> <p><b>Solvent washing permissible</b></p> | <ul style="list-style-type: none"> <li>Miniature compact size.</li> <li>Wash-through open frame construction.</li> <li>Positive spring loaded ball detent mechanism.</li> <li>Epoxy sealed terminals.</li> </ul> |
| MATERIALS   |  |
| <p><b>Contacts &amp; terminals:</b> Silver plated</p> <p><b>Frame:</b> Zinc plated steel</p> <p><b>Actuator:</b> Thermoplastic</p> <p><b>Base:</b> Phenolic laminated sheet</p>   | <p><b>Terminal seal:</b> Epoxy</p>   |

|   |  |  |
|---|--|--|
| <p><b>MODEL NO.</b></p> <p style="color: red;"><b>SLB12814</b></p>  | <p><b>1P2T</b></p>  <p>● = COMMON</p>  | <p style="text-align: right;">.126 (3.20) TRAVEL/THROW</p> <p style="text-align: right;">.126 [3.20] TYP.</p> <p style="text-align: right;">.035 [.90] DIA.,<br/>3 PLCS.</p> |
|  <p>VERTICAL ACTUATOR</p>     | <p>SCHEMATIC</p> <p>MECHANICAL OUTLINE</p> <p>P.C. BOARD LAYOUT</p>  |  |
| <p><b>MODEL NO.</b></p> <p style="color: red;"><b>SLB1281R5</b></p>   | <p><b>1P2T</b></p>  <p>● = COMMON</p> | <p style="text-align: right;">.126 (3.20) TRAVEL/THROW</p> <p style="text-align: right;">.126 [3.20] TYP.</p> <p style="text-align: right;">.035 [.90] DIA., 3 PLCS.</p>     |
|  <p>RIGHT ANGLE ACTUATOR</p> | <p>SCHEMATIC</p> <p>MECHANICAL OUTLINE</p> <p>P.C. BOARD LAYOUT</p>  |  |
| <p><b>MODEL NO.</b></p> <p style="color: red;"><b>SLB1370</b></p>   | <p><b>1P3T</b></p>  <p>● = COMMON</p> | <p style="text-align: right;">.090 (2.30) TRAVEL/THROW</p> <p style="text-align: right;">.079 [2.00]</p> <p style="text-align: right;">.035 [.90] DIA.<br/>5 PLCS.</p>       |
|  <p>VERTICAL ACTUATOR</p>    | <p>SCHEMATIC</p> <p>MECHANICAL OUTLINE</p> <p>P.C. BOARD LAYOUT</p>  |  |


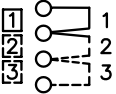
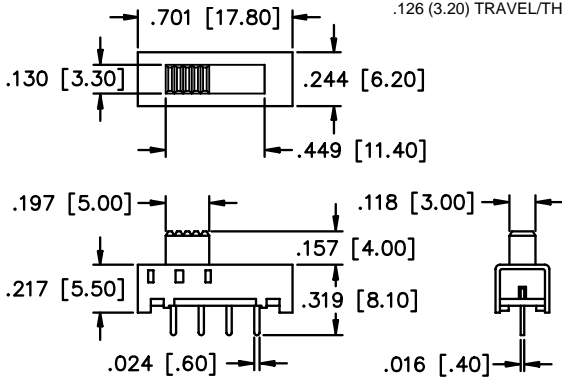
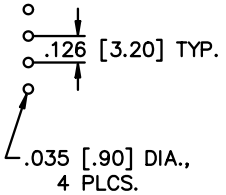

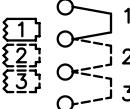
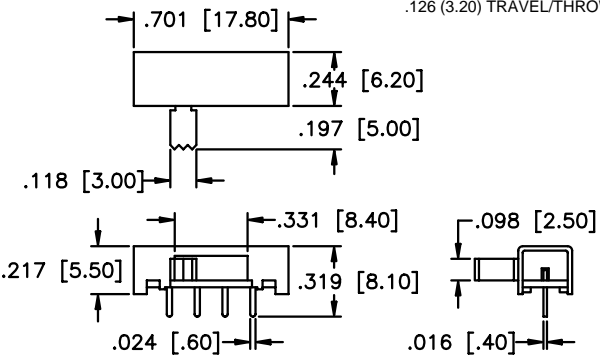
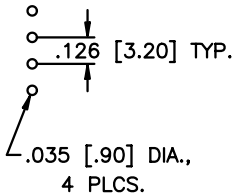
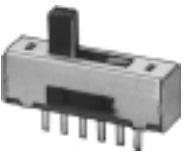
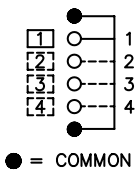
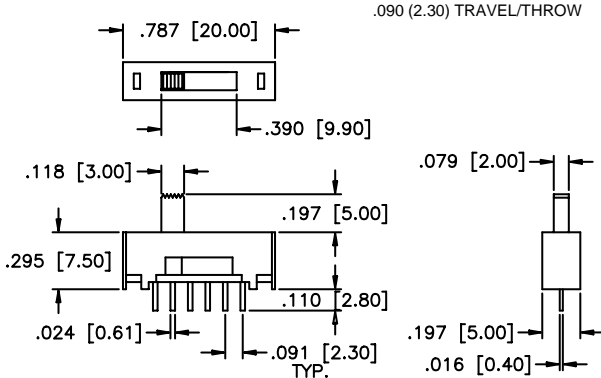
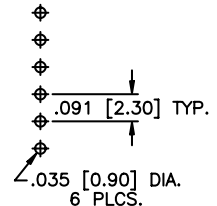

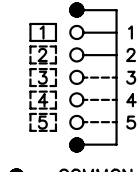
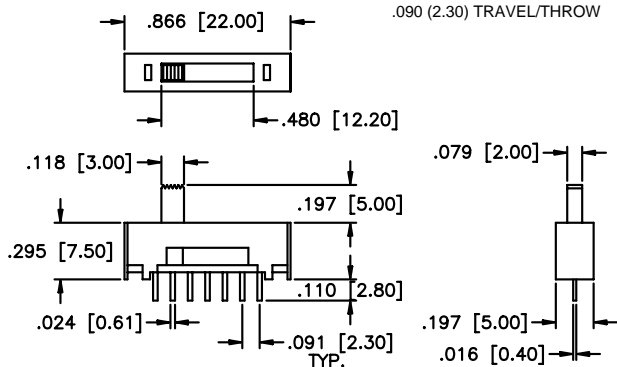
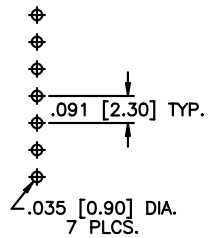
SPECIFICATIONS SUBJECT TO CHANGE WITHOUT NOTICE

# SLB Series

(with p.c. board stand-off bracket)

## Miniature Slide Switches

SPECIFICATIONS SUBJECT TO CHANGE WITHOUT NOTICE


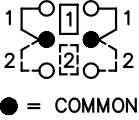
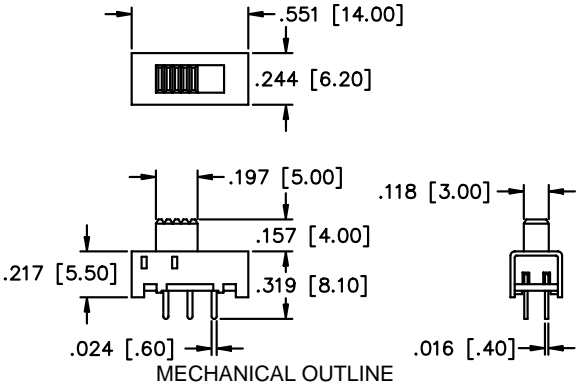
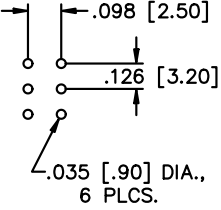

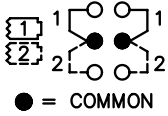
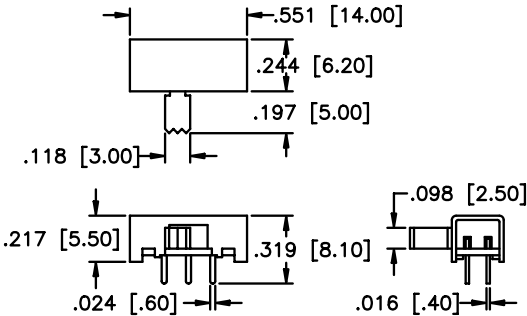
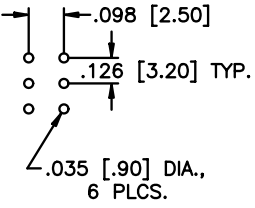

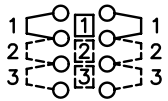
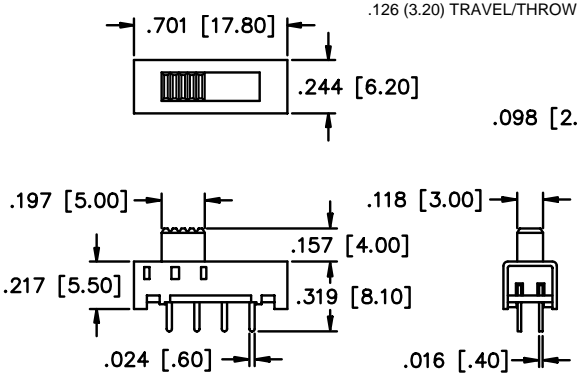
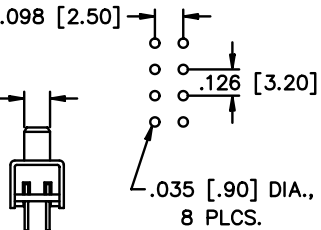

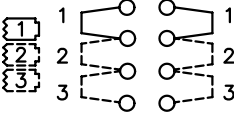
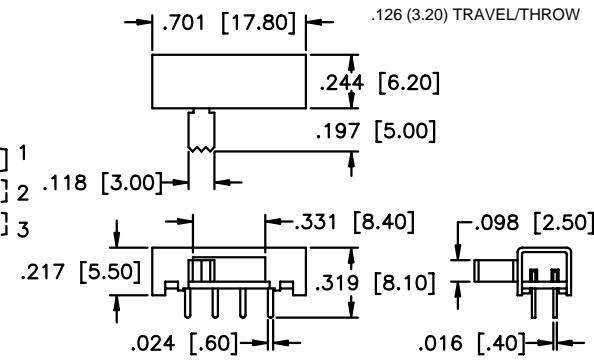
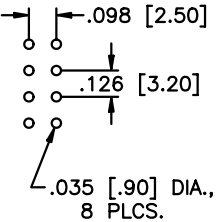
|  |  |   |  |
|--|--|---|--|
| <p><b>MODEL NO.</b></p> <p><b>SLB13814</b></p>  <p>VERTICAL ACTUATOR</p>      | <p><b>1P3T</b></p>  <p>SCHMATIC</p>   | <p style="text-align: right;">.126 (3.20) TRAVEL/THROW</p>  <p>MECHANICAL OUTLINE</p>   |  <p>P.C. BOARD LAYOUT</p>   |
| <p><b>MODEL NO.</b></p> <p><b>SLB1381R5</b></p>  <p>RIGHT ANGLE ACTUATOR</p> | <p><b>1P3T</b></p>  <p>SCHMATIC</p>  | <p style="text-align: right;">.126 (3.20) TRAVEL/THROW</p>  <p>MECHANICAL OUTLINE</p>  |  <p>P.C. BOARD LAYOUT</p>  |
| <p><b>MODEL NO.</b></p> <p><b>SLB1470</b></p>  <p>VERTICAL ACTUATOR</p>     | <p><b>1P4T</b></p>  <p>SCHMATIC</p> | <p style="text-align: right;">.090 (2.30) TRAVEL/THROW</p>  <p>MECHANICAL OUTLINE</p> |  <p>P.C. BOARD LAYOUT</p> |
| <p><b>MODEL NO.</b></p> <p><b>SLB1570</b></p>  <p>VERTICAL ACTUATOR</p>     | <p><b>1P5T</b></p>  <p>SCHMATIC</p> | <p style="text-align: right;">.090 (2.30) TRAVEL/THROW</p>  <p>MECHANICAL OUTLINE</p> |  <p>P.C. BOARD LAYOUT</p> |

# SLB Series

(with p.c. board stand-off bracket)

## Miniature Slide Switches

SPECIFICATIONS SUBJECT TO CHANGE WITHOUT NOTICE

|   |  |  |  |
|---|--|--|--|
| <p><b>MODEL NO.</b></p> <p><b>SLB22814</b></p>  <p>VERTICAL ACTUATOR</p>       | <p><b>2P2T</b></p>  <p>● = COMMON</p> <p>SCHEMATIC</p>  |  <p>MECHANICAL OUTLINE</p>   |  <p>P.C. BOARD LAYOUT</p>   |
| <p><b>MODEL NO.</b></p> <p><b>SLB2281R5</b></p>  <p>RIGHT ANGLE ACTUATOR</p>  | <p><b>2P2T</b></p>  <p>● = COMMON</p> <p>SCHEMATIC</p> |  <p>MECHANICAL OUTLINE</p>  |  <p>P.C. BOARD LAYOUT</p>  |
| <p><b>MODEL NO.</b></p> <p><b>SLB23814</b></p>  <p>VERTICAL ACTUATOR</p>     | <p><b>2P3T</b></p>  <p>SCHEMATIC</p>                  |  <p>MECHANICAL OUTLINE</p> |  <p>P.C. BOARD LAYOUT</p> |
| <p><b>MODEL NO.</b></p> <p><b>SLB2381R5</b></p>  <p>RIGHT ANGLE ACTUATOR</p> | <p><b>2P3T</b></p>  <p>SCHEMATIC</p>                  |  <p>MECHANICAL OUTLINE</p> |  <p>P.C. BOARD LAYOUT</p> |


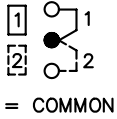
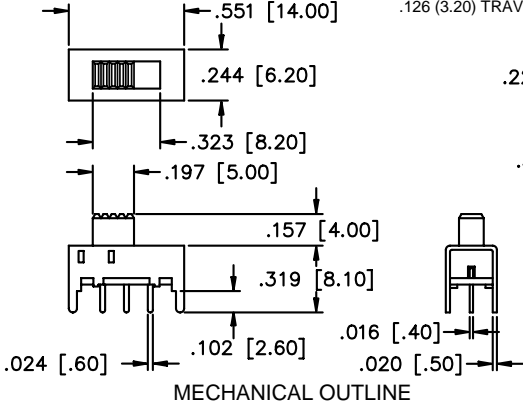
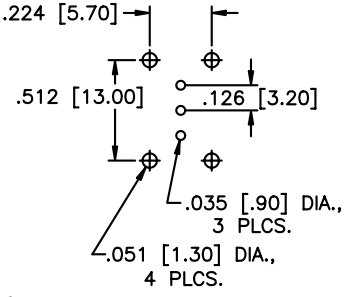


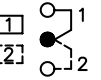
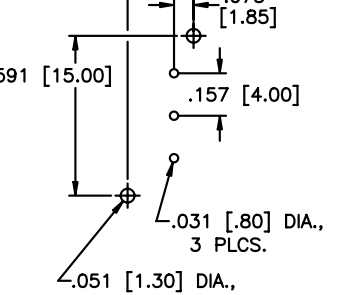

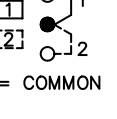
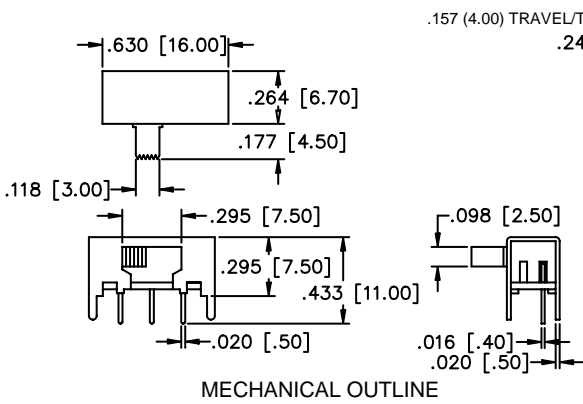
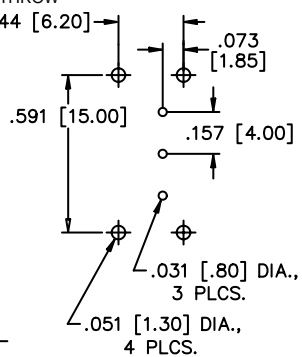
# SLB Series

(with thru- p.c. board hole mounting bracket)

## Miniature Slide Switches

SPECIFICATIONS SUBJECT TO CHANGE WITHOUT NOTICE


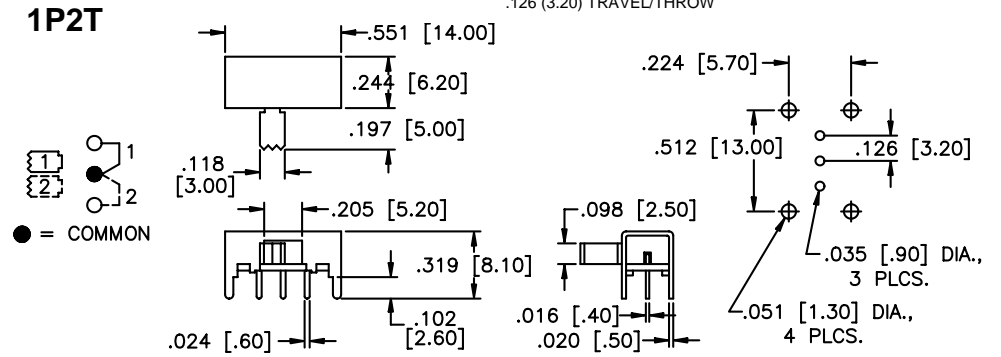

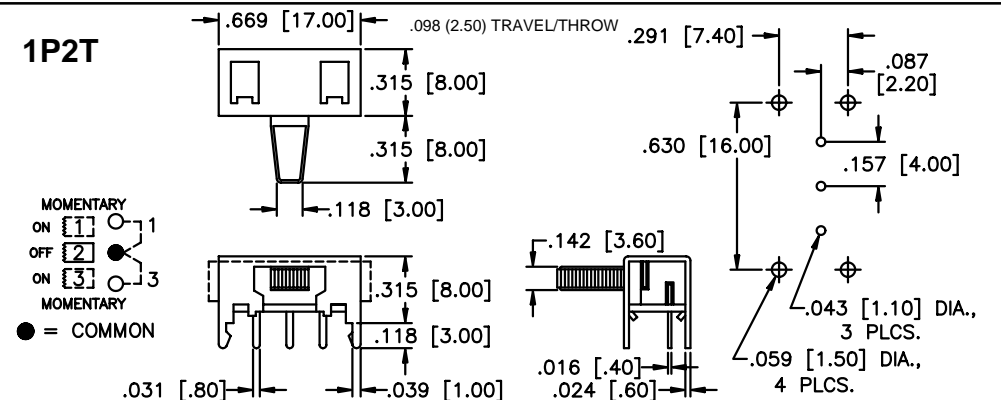
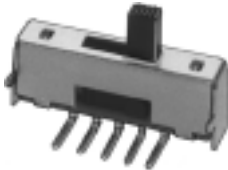
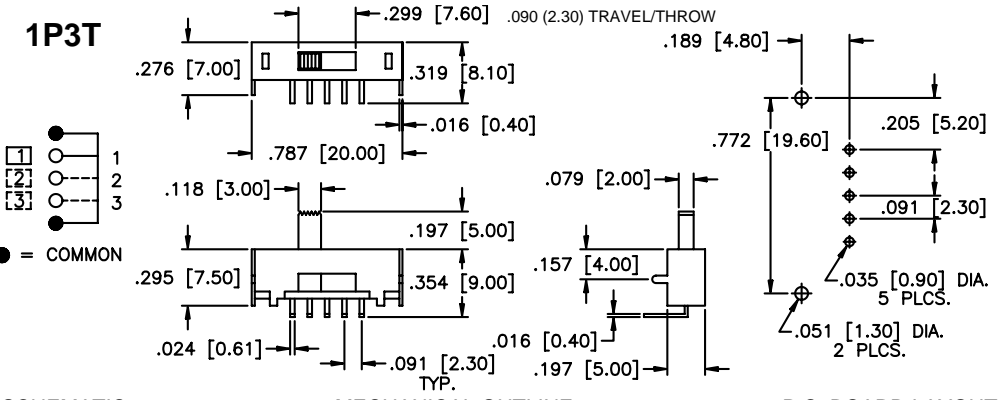

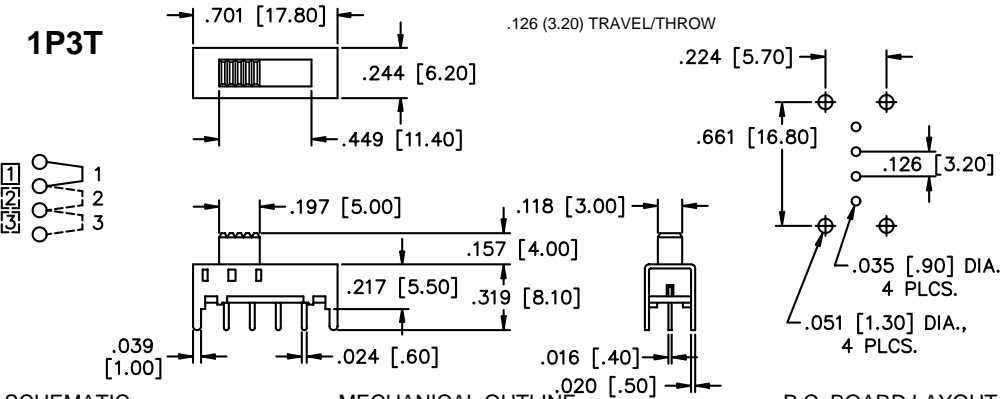
| SPECIFICATIONS  | FEATURES   |
|---|--|
| <p><b>Contact ratings:</b> 300 mA at 125 VAC or 30 VDC</p> <p><b>Initial contact resistance:</b> 20 milliohms max.</p> <p><b>Insulation resistance:</b> 100 megohms min. at 500 VDC</p> <p><b>Dielectric strength:</b> 500 volts RMS for 1 minute</p> <p><b>Electrical life:</b> 10,000 cycles min.</p> <p><b>Operating temperature range:</b> -20°C to +85°C</p> <p><b>Actuation force:</b> 220g ± 100g</p> <p><b>Solder heat resistance:</b> 260°C max. for 3 seconds</p> <p><b>Solvent washing permissible</b></p> | <ul style="list-style-type: none"> <li>• <b>Miniature compact size.</b></li> <li>• <b>Wash-through open frame construction.</b></li> <li>• <b>Positive spring loaded ball detent mechanism.</b></li> <li>• <b>Epoxy sealed terminals.</b></li> </ul> |
|   | MATERIALS  |
|   | <p><b>Contacts &amp; terminals:</b> Silver plated</p> <p><b>Frame:</b> Zinc plated steel</p> <p><b>Actuator:</b> Thermoplastic</p> <p><b>Base:</b> Phenolic laminated sheet</p> <p style="text-align: right;"><b>Terminal seal:</b> Epoxy</p>        |

| MODEL NO.   |  |  |  |
|---|--|--|--|
| <b>SLB12804</b>   |  |  |  |
|   | <p><b>1P2T</b></p>  <p>● = COMMON</p>  |  <p>MECHANICAL OUTLINE</p>  |  <p>P.C. BOARD LAYOUT</p>  |
| <b>SLB124145</b>  |  |  |  |
|  | <p><b>1P2T</b></p>  <p>● = COMMON</p> |  <p>MECHANICAL OUTLINE</p> |  <p>P.C. BOARD LAYOUT</p> |
| <b>SLB1240R45</b>   |  |  |  |
|  | <p><b>1P2T</b></p>  <p>● = COMMON</p> |  <p>MECHANICAL OUTLINE</p> |  <p>P.C. BOARD LAYOUT</p> |

# SLB Series

(with thru-p.c. board hole mounting bracket)

## Miniature Slide Switches

|  |  |
|--|--|
| <p><b>MODEL NO.</b></p> <p style="color: red;"><b>SLB1280R5</b></p>  <p>RIGHT ANGLE ACTUATOR</p>  | <p style="text-align: right;">.126 (3.20) TRAVEL/THROW</p> <p><b>1P2T</b></p>  <p style="text-align: center;">SCHEMATIC                      MECHANICAL OUTLINE                      P.C. BOARD LAYOUT</p>   |
| <p><b>MODEL NO.</b></p> <p style="color: red;"><b>SLB1250R8</b></p>  <p>RIGHT ANGLE ACTUATOR</p> | <p style="text-align: right;">.098 (2.50) TRAVEL/THROW</p> <p><b>1P2T</b></p>  <p style="text-align: center;">SCHEMATIC                      MECHANICAL OUTLINE                      P.C. BOARD LAYOUT</p>  |
| <p><b>MODEL NO.</b></p> <p style="color: red;"><b>SLB1370R</b></p>  <p>RIGHT ANGLE ACTUATOR</p> | <p style="text-align: right;">.090 (2.30) TRAVEL/THROW</p> <p><b>1P3T</b></p>  <p style="text-align: center;">SCHEMATIC                      MECHANICAL OUTLINE                      P.C. BOARD LAYOUT</p> |
| <p><b>MODEL NO.</b></p> <p style="color: red;"><b>SLB13804</b></p>  <p>VERTICAL ACTUATOR</p>    | <p style="text-align: right;">.126 (3.20) TRAVEL/THROW</p> <p><b>1P3T</b></p>  <p style="text-align: center;">SCHEMATIC                      MECHANICAL OUTLINE                      P.C. BOARD LAYOUT</p> |




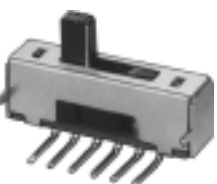
SPECIFICATIONS SUBJECT TO CHANGE WITHOUT NOTICE

# SLB Series

(with thru-p.c. board hole mounting bracket)

## Miniature Slide Switches

SPECIFICATIONS SUBJECT TO CHANGE WITHOUT NOTICE

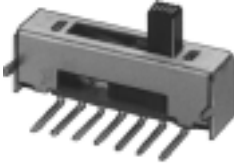
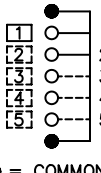
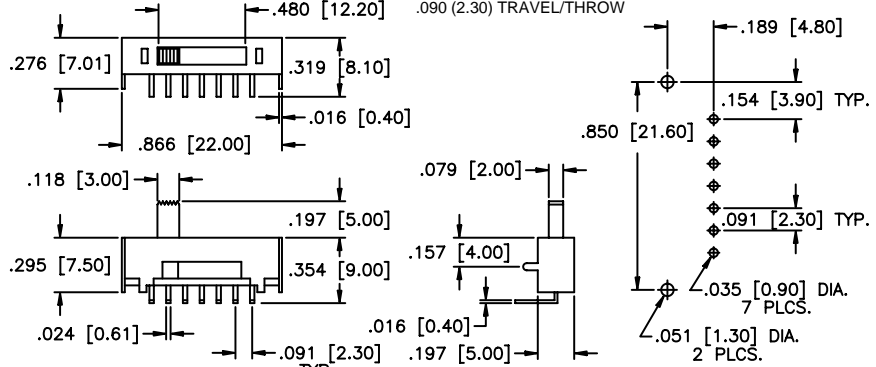

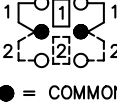
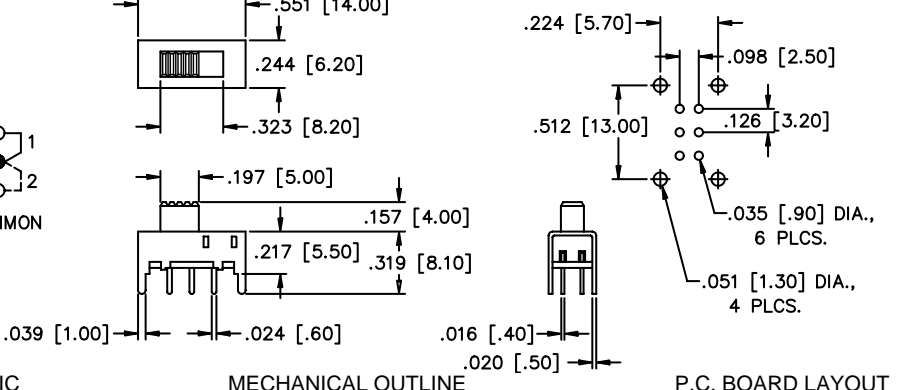
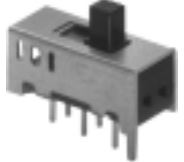
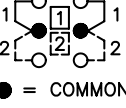
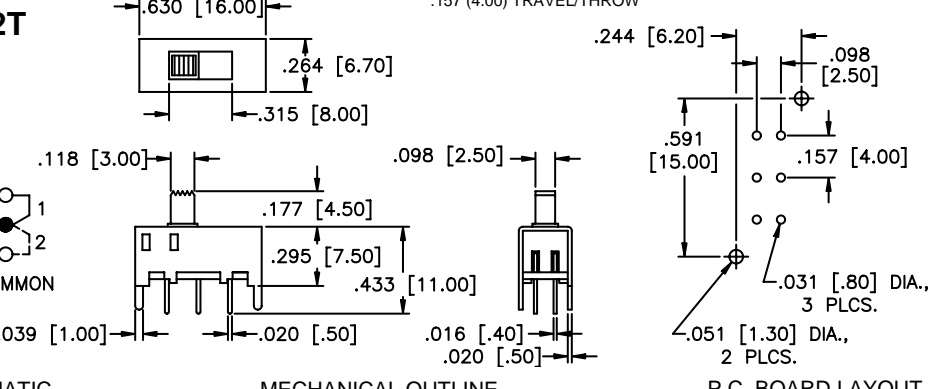

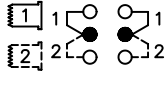
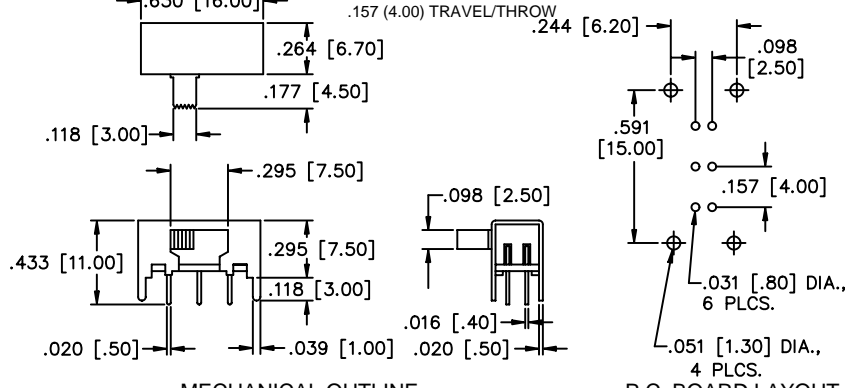
|                                       |  |
|---------------------------------------|--|
| <b>MODEL NO.</b><br><b>SLB134145</b>  | <p><b>1P3T</b></p>  <p>VERTICAL ACTUATOR</p> <p><b>Schematic:</b> 1P3T configuration with terminals 1, 2, 3. Terminal 2 is common.</p> <p><b>Mechanical Outline:</b> Dimensions include .630 [16.00] total width, .079 (2.00) TRAVEL/THROW, .264 [6.70] height, .315 [8.00] mounting hole offset, .118 [3.00] actuator height, .177 [4.50] internal width, .295 [7.50] base height, .433 [11.00] base width, .098 [2.50] actuator tip width, .020 [.50] lead length, .244 [6.20] mounting hole offset, .591 [15.00] mounting hole spacing, .073 [1.85] terminal width, .157 [4.00] terminal spacing, .079 [2.00] TYP. terminal pitch, .031 [.80] DIA., 4 PLCS. terminal diameter, and .051 [1.30] DIA., 2 PLCS. terminal diameter.</p> <p><b>P.C. BOARD LAYOUT:</b> Shows terminal positions and dimensions for 4 PLCS. and 2 PLCS. configurations.</p>   |
| <b>MODEL NO.</b><br><b>SLB1340R45</b> | <p><b>1P3T</b></p>  <p>RIGHT ANGLE ACTUATOR</p> <p><b>Schematic:</b> 1P3T configuration with terminals 1, 2, 3. Terminal 2 is common.</p> <p><b>Mechanical Outline:</b> Dimensions include .630 [16.00] total width, .079 (2.00) TRAVEL/THROW, .264 [6.70] height, .177 [4.50] internal width, .118 [3.00] actuator height, .295 [7.50] base height, .433 [11.00] base width, .098 [2.50] actuator tip width, .039 [1.00] lead length, .020 [.50] lead length, .244 [6.20] mounting hole offset, .591 [15.00] mounting hole spacing, .073 [1.85] terminal width, .157 [4.00] terminal spacing, .079 [2.00] TYP. terminal pitch, .031 [.80] DIA., 4 PLCS. terminal diameter, and .051 [1.30] DIA., 4 PLCS. terminal diameter.</p> <p><b>P.C. BOARD LAYOUT:</b> Shows terminal positions and dimensions for 4 PLCS. configurations.</p>  |
| <b>MODEL NO.</b><br><b>SLB1380R5</b>  | <p><b>1P3T</b></p>  <p>RIGHT ANGLE ACTUATOR</p> <p><b>Schematic:</b> 1P3T configuration with terminals 1, 2, 3.</p> <p><b>Mechanical Outline:</b> Dimensions include .701 [17.80] total width, .126 (3.20) TRAVEL/THROW, .244 [6.20] height, .197 [5.00] internal width, .118 [3.00] actuator height, .331 [8.40] internal width, .217 [5.50] base height, .319 [8.10] base width, .039 [1.00] lead length, .024 [.60] lead length, .102 [2.60] lead length, .098 [2.50] actuator tip width, .016 [.40] lead length, .020 [.50] lead length, .224 [5.70] mounting hole offset, .661 [16.80] mounting hole spacing, .126 [3.20] terminal spacing, .035 [.90] DIA., 4 PLCS. terminal diameter, and .051 [1.30] DIA., 4 PLCS. terminal diameter.</p> <p><b>P.C. BOARD LAYOUT:</b> Shows terminal positions and dimensions for 4 PLCS. configurations.</p>  |
| <b>MODEL NO.</b><br><b>SLB1470R</b>   | <p><b>1P4T</b></p>  <p>RIGHT ANGLE ACTUATOR</p> <p><b>Schematic:</b> 1P4T configuration with terminals 1, 2, 3, 4. Terminal 2 is common.</p> <p><b>Mechanical Outline:</b> Dimensions include .390 [9.90] total width, .090 (2.30) TRAVEL/THROW, .276 [7.00] height, .319 [8.10] internal width, .016 [0.40] lead length, .787 [20.00] total width, .118 [3.00] actuator height, .197 [5.00] internal width, .295 [7.50] base height, .354 [9.00] base width, .157 [4.00] actuator tip width, .024 [0.61] lead length, .091 [2.30] TYP. lead length, .016 [0.40] lead length, .189 [4.80] mounting hole offset, .772 [19.60] mounting hole spacing, .159 [4.05] terminal spacing, .091 [2.30] TYP. terminal pitch, .035 [0.90] DIA., 6 PLCS. terminal diameter, and .051 [1.30] DIA., 2 PLCS. terminal diameter.</p> <p><b>P.C. BOARD LAYOUT:</b> Shows terminal positions and dimensions for 6 PLCS. and 2 PLCS. configurations.</p> |

# SLB Series

(with thru-p.c. board hole mounting bracket)

## Miniature Slide Switches


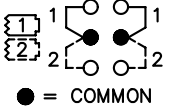
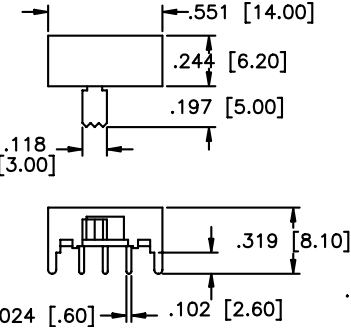
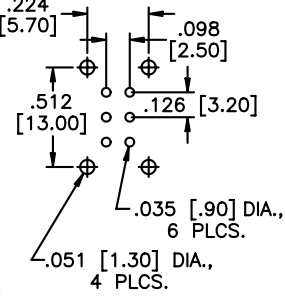

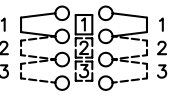
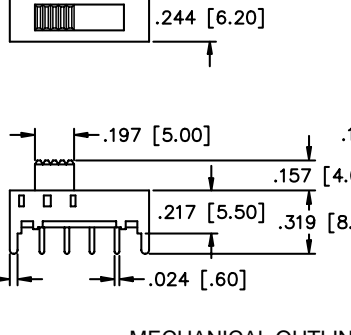
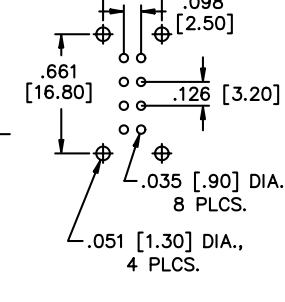
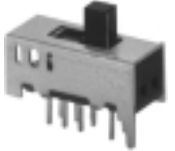
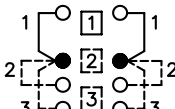
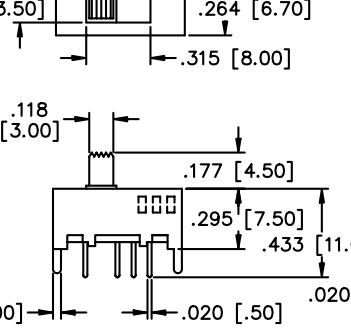
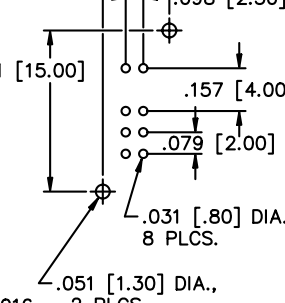

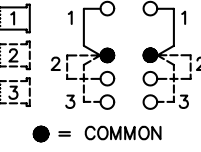
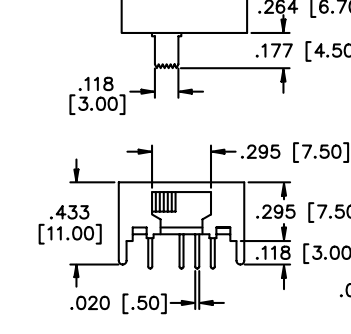
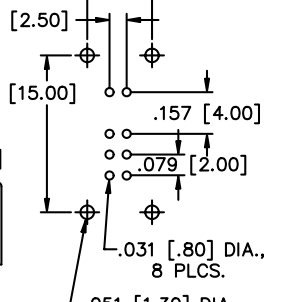
SPECIFICATIONS SUBJECT TO CHANGE WITHOUT NOTICE

|   |   |
|---|---|
| <p><b>MODEL NO.</b><br/><b>SLB1570R</b></p>  <p>RIGHT ANGLE ACTUATOR</p>     | <p><b>1P5T</b></p>  <p>● = COMMON</p>  <p>SCHEMATIC      MECHANICAL OUTLINE      P.C. BOARD LAYOUT</p>     |
| <p><b>MODEL NO.</b><br/><b>SLB22804</b></p>  <p>VERTICAL ACTUATOR</p>       | <p><b>2P2T</b></p>  <p>● = COMMON</p>  <p>SCHEMATIC      MECHANICAL OUTLINE      P.C. BOARD LAYOUT</p>   |
| <p><b>MODEL NO.</b><br/><b>SLB224145</b></p>  <p>VERTICAL ACTUATOR</p>     | <p><b>2P2T</b></p>  <p>● = COMMON</p>  <p>SCHEMATIC      MECHANICAL OUTLINE      P.C. BOARD LAYOUT</p> |
| <p><b>MODEL NO.</b><br/><b>SLB2240R45</b></p>  <p>RIGHT ANGLE ACTUATOR</p> | <p><b>2P2T</b></p>  <p>● = COMMON</p>  <p>SCHEMATIC      MECHANICAL OUTLINE      P.C. BOARD LAYOUT</p> |

# SLB Series

(with thru-p.c. board hole mounting bracket)  
**Miniature Slide Switches**

SPECIFICATIONS SUBJECT TO CHANGE WITHOUT NOTICE

|   |   |  |  |
|---|---|--|--|
| <b>MODEL NO.</b>  | .126 (3.20) TRAVEL/THROW  |  |  |
| <b>SLB2280R5</b>  | <b>2P2T</b>   |  |  |
|  <p>RIGHT ANGLE ACTUATOR</p>   |  <p>● = COMMON</p>   |  <p>MECHANICAL OUTLINE</p>   |  <p>P.C. BOARD LAYOUT</p>   |
| <b>MODEL NO.</b>  | .126 (3.20) TRAVEL/THROW  |  |  |
| <b>SLB23804</b>   | <b>2P3T</b>   |  |  |
|  <p>VERTICAL ACTUATOR</p>     |                     |  <p>MECHANICAL OUTLINE</p>  |  <p>P.C. BOARD LAYOUT</p>  |
| <b>MODEL NO.</b>  | .126 (3.20) TRAVEL/THROW  |  |  |
| <b>SLB234145</b>  | <b>2P3T</b>   |  |  |
|  <p>VERTICAL ACTUATOR</p>    |  <p>● = COMMON</p> |  <p>MECHANICAL OUTLINE</p> |  <p>P.C. BOARD LAYOUT</p> |
| <b>MODEL NO.</b>  | .079 (2.00) TRAVEL/THROW  |  |  |
| <b>SLB2340R45</b>   | <b>2P3T</b>   |  |  |
|  <p>RIGHT ANGLE ACTUATOR</p> |  <p>● = COMMON</p> |  <p>MECHANICAL OUTLINE</p> |  <p>P.C. BOARD LAYOUT</p> |



# Mouser Electronics

Authorized Distributor

Click to View Pricing, Inventory, Delivery & Lifecycle Information:

## [Apem:](#)

[SLB2381R5](#) [SLB12804](#) [SLB12814](#) [SLB12414.5](#) [SLB1280R5](#) [SLB1281R5](#) [SLB1370](#) [SLB1370R](#) [SLB13804](#)  
[SLB13814](#) [SLB1381R5](#) [SLB1470](#) [SLB1470R](#) [SLB1570](#) [SLB1570R](#) [SLB22804](#) [SLB2280R5](#) [SLB22814](#)  
[SLB2281R5](#) [SLB23814](#) [SLB1240R45](#) [SLB124145](#) [SLB1340R45](#) [SLB134145](#) [SLB2240R45](#) [SLB224145](#)  
[SLB2340R45](#) [SLB234145](#)