



Representative photograph, actual product appearance may vary.

Due to regional agency approval requirements, some products may not be available in your area. Please contact your regional Honeywell office regarding your product of choice.

SE5455-003

SE Series GaAs Infrared Emitting Diode, TO-46 Metal Can Package

Features

- TO-46 metal can package
- Choice of flat window or lensed package
- 90 ° or 20 ° (nominal) beam angle option
- 935 nm wavelength
- Wide operating temperature range [-55 °C to 125 °C]
- Ideal for high pulsed current applications
- Mechanically and spectrally matched to SD3421/5421 photodiode, SD3443/5443/5491 phototransistor, SD3410/5410 photodarlington and SD5600 series Schmitt trigger

Description

The SE3455/5455 series consists of a gallium arsenide infrared emitting diode mounted in a TO-46 metal can package. The SE3455 series has flat window cans providing a wide beam angle, while the SE5455 series has glass lensed cans providing a narrow beam angle. These devices are constructed with dual bond wires suitable for pulsed current applications. The TO-46 packages offer high power dissipation capability and are ideally suited for operation in hostile environments.



SE5455-003

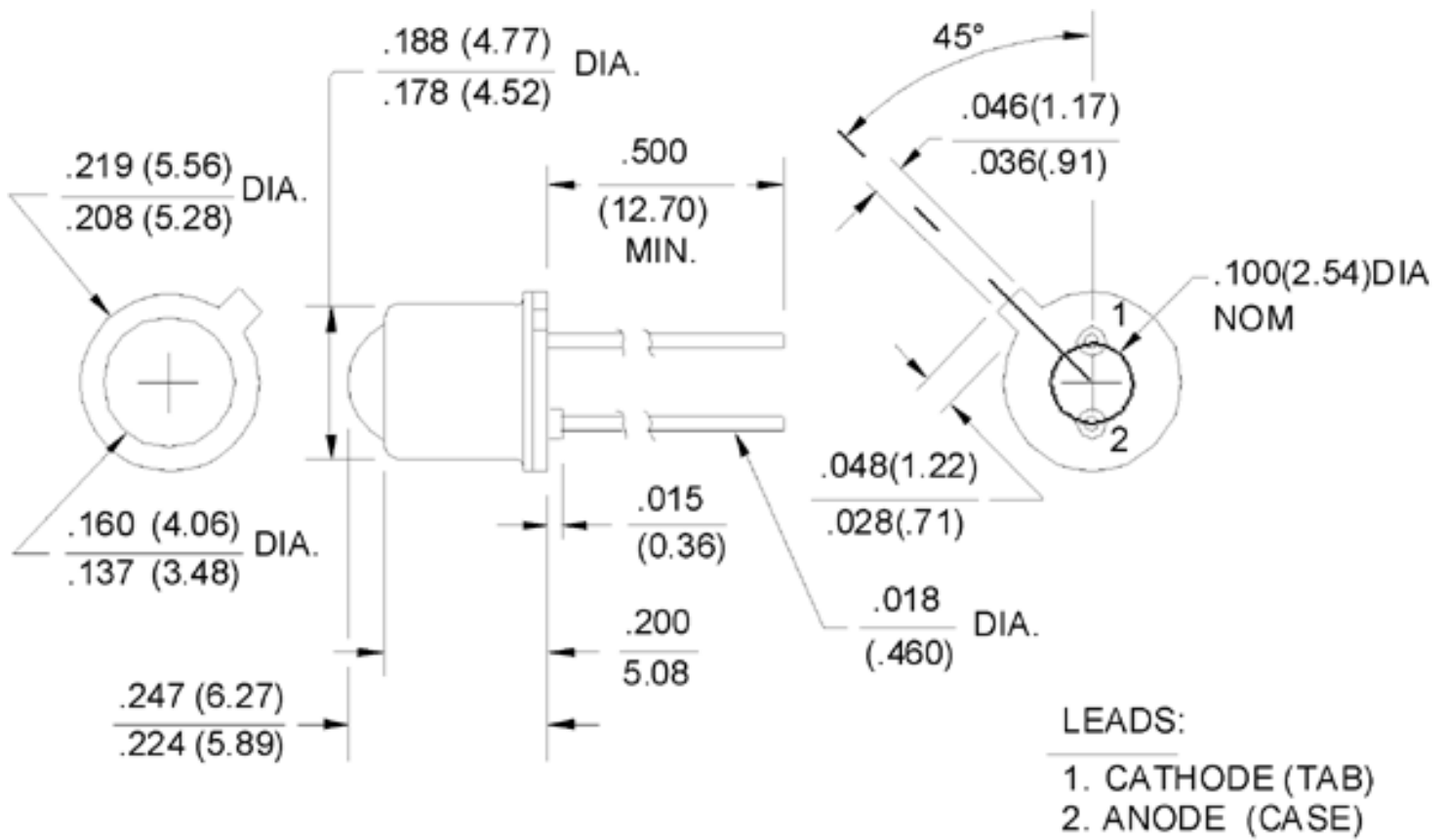
SE Series GaAs Infrared Emitting Diode, TO-46 Metal Can Package

Product Specifications	
Product Type	IR Component
Power Output	4.8 mW min
Beam Angle (Degree)	20
Package Style	T0-46, Dome Lensed
Package Components	Metal
Forward Current	100 mA
Continuous Forward Current	100 mA
Forward Voltage	1.7 V
Reverse Breakdown Voltage	3 V
Output Wavelength	935 nm
Spectral Bandwidth	50 nm
Spectral Shift With Temperature	0.3 nm/°C
Rise and Fall Time	0.7 μ s
Power Dissipation	150 mW
Operating Temperature Range	-55 °C to 125 °C [-67 °F to 257 °F]
Availability	Global
Product Name	Infrared Emitting Diode

Honeywell

SE5455-003

SE Series GaAs Infrared Emitting Diode, TO-46 Metal Can Package



Honeywell

SE5455-003

SE Series GaAs Infrared Emitting Diode, TO-46 Metal Can Package

Anode



Cathode

Honeywell

SE5455-003

SE Series GaAs Infrared Emitting Diode, TO-46 Metal Can Package

 WARNING

PERSONAL INJURY

DO NOT USE these products as safety or emergency stop devices, or in any other application where failure of the product could result in personal injury.

Failure to comply with these instructions could result in death or serious injury.

 WARNING

MISUSE OF DOCUMENTATION

- The information presented in this product sheet (or catalog) is for reference only. DO NOT USE this document as product installation information.
- Complete installation, operation and maintenance information is provided in the instructions supplied with each product.

Failure to comply with these instructions could result in death or serious injury.