

## Li+ Charger Protection IC

### Features

- Provide Input Over-voltage Protection
- Provide Input Over-current Protection
- Provide Over Temperature Protection
- Provide Reverse Current Blocking
- High Immunity of False Triggering
- High Accuracy Protection Threshold
- Low On Resistance 0.75W Typ.
- Compliance to IEC61000-4-2 (Level 4)
  - ±8kV (Contact Discharge)
  - ±15kV (Air Discharge)
- Available in TDFN2x2-8, SOT-23-6 Packages
- Lead Free and Green Devices Available (RoHS Compliant)

### General Description

The APL3216 provides complete Li+ charger protection against Input over-voltage, input over-current and over-temperature. When any of the monitored parameters is over the threshold, the IC turns off the charging current. All protections also have deglitch time against false triggering due to voltage spikes or current transients.

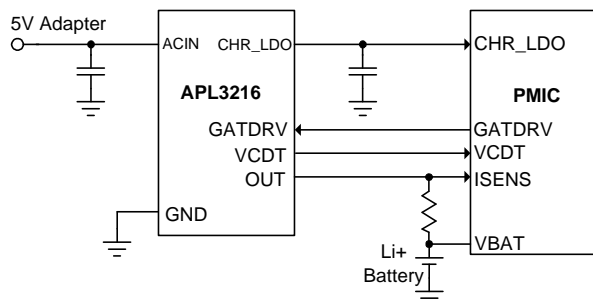
When ACIN voltage exceeds OVP threshold, the device will turn off charging current. The charging current is controlled by the GATDRV pin. When sourcing a current from the GATDRV pin, the OUT pin delivers the charging current which is 200-fold magnified in amplitude based on GATDRV's current.

Other features include accurate  $V_{VCDT}/V_{ACIN}$  Voltage divider, reverse current blocking from OUT to ACIN and OTP protection. The L3216 provides complete Li+ charger protections, that can save the external components for the charger of cell phone's PMIC. The above features and small package make the APL3216 an ideal part for cell phones applications.

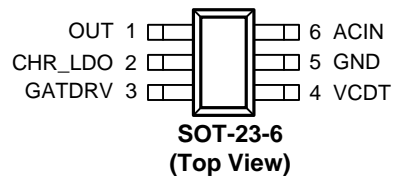
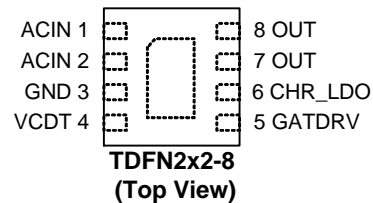
### Applications

- Cell Phones

### Simplified Application Circuit



### Pin Configuration



ANPEC reserves the right to make changes to improve reliability or manufacturability without notice, and advise customers to obtain the latest version of relevant information to verify before placing orders.

## Ordering and Marking Information

<p>APL3216    □□□-□□□</p> <p style="margin-left: 100px;">└─ Assembly Material</p> <p style="margin-left: 80px;">└─ Handling Code</p> <p style="margin-left: 50px;">└─ Temperature Range</p> <p style="margin-left: 20px;">└─ Package Code</p>	<p>Package Code          QB : TDFN2x2-8    C : SOT-23-6          Operating Ambient Temperature Range          I : -40 to 85 °C          Handling Code          TR : Tape &amp; Reel          Assembly Material          G : Halogen and Lead Free Device</p>		
<p>APL3216 QB:    <table border="1" style="display: inline-table; vertical-align: middle;"><tr><td>L16</td></tr><tr><td>• X</td></tr></table></p>	L16	• X	<p>X - Date Code</p>
L16			
• X			
<p>APL3216 C:    <table border="1" style="display: inline-table; vertical-align: middle;"><tr><td>L16A</td></tr><tr><td>• X</td></tr></table></p>	L16A	• X	<p>X - Date Code</p>
L16A			
• X			

Note: ANPEC lead-free products contain molding compounds/die attach materials and 100% matte tin plate termination finish; which are fully compliant with RoHS. ANPEC lead-free products meet or exceed the lead-free requirements of IPC/JEDEC J-STD-020D for MSL classification at lead-free peak reflow temperature. ANPEC defines "Green" to mean lead-free (RoHS compliant) and halogen free (Br or Cl does not exceed 900ppm by weight in homogeneous material and total of Br and Cl does not exceed 1500ppm by weight).

## Absolute Maximum Ratings (Note 1)

Symbol	Parameter	Rating	Unit
V <sub>ACIN</sub>	ACIN Input Voltage (ACIN to GND)	-0.3 ~ 30	V
V <sub>CHR_LDO</sub>	CHR_LDO to GND Voltage	-0.3 ~ 7	V
V <sub>GATDRV</sub>	GATDRV to GND Voltage	-0.3 ~ V <sub>CHR_LDO</sub>	V
V <sub>VCDT</sub>	VCDT to GND Voltage	-0.3 ~ 7	V
V <sub>OUT</sub>	OUT to GND Voltage	-0.3 ~ 7	V
I <sub>OUT</sub>	OUT Output Current	Internally Limited	A
T <sub>J</sub>	Maximum Junction Temperature	150	°C
T <sub>STG</sub>	Storage Temperature	-65 ~ 150	°C
T <sub>SDR</sub>	Maximum Lead Soldering Temperature, 10 Seconds	260	°C

Note 1: Stresses beyond those listed under "absolute maximum ratings" may cause permanent damage to the device. These are stress ratings only and functional operation of the device at these or any other conditions beyond those indicated under "recommended operating conditions" is not implied. Exposure to absolute maximum rating conditions for extended periods may affect vice reliability.

## Thermal Characteristic

Symbol	Parameter	Typical Value	Unit
θ <sub>JA</sub>	TDFN2x2-8 Junction-to-Ambient Resistance in free air (Note 2)	80	°C/W
θ <sub>JA</sub>	SOT-23-6 Junction-to-Ambient Resistance in free air (Note 2)	250	°C/W

Note 2: θ<sub>JA</sub> is measured with the component mounted on a high effective thermal conductivity test board in free air. The exposed pad of TDFN2x2-8 is soldered directly on the PCB.

## Recommended Operating Conditions (Note 3)

Symbol	Parameter	Range	Unit
$V_{ACIN}$	ACIN Input Voltage	4.5 ~ 9	V
$I_{OUT}$	Output Current	0.7	A
$T_A$	Ambient Temperature	-40 ~ 85	°C
$T_J$	Junction Temperature	-40 ~ 125	°C
$C_{OUT}$	Output Capacitor	0.1~1	μF

Note 3: Refer to the typical application circuit

## Electrical Characteristics

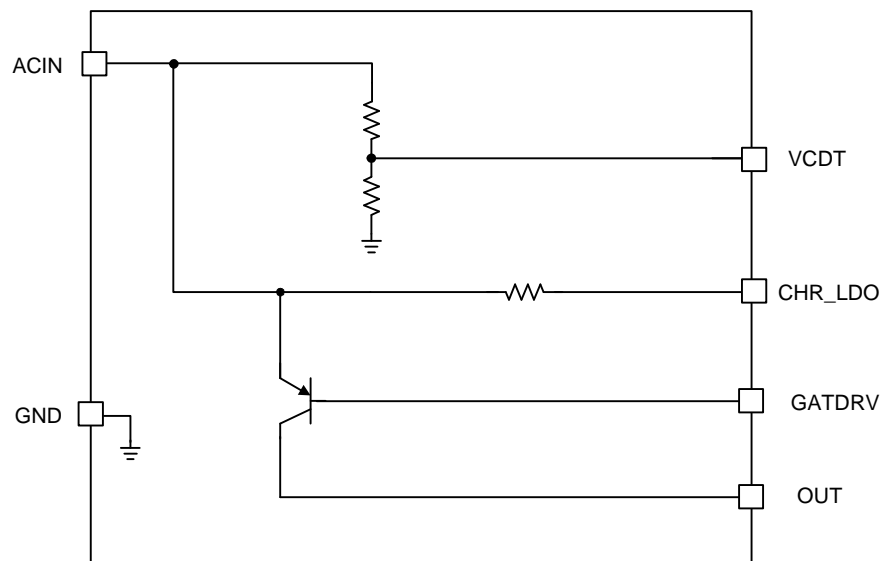
Unless otherwise specified, these specifications apply over  $V_{ACIN}=5V$ ,  $T_A = -40 \sim 85$  °C. Typical values are at  $T_A=25$ °C.

Symbol	Parameter	Test Conditions	APL3216			Unit
			Min	Typ	Max	
<b>ACIN INPUT CURRENT and POWER-ON-RESET (POR)</b>						
$I_{ACIN}$	ACIN Supply Current	$I_{OUT}=0A, I_{CHR}=0A$	-	250	500	μA
$V_{POR}$	ACIN POR Threshold	$V_{ACIN}$ rising	-	2.6	-	V
	ACIN POR Hysteresis		-	250	-	mV
$T_{B(ACIN)}$	ACIN Power-On Blanking Time		-	8	-	ms
<b>INTERNAL SWITCH ON RESISTANCE</b>						
	ACIN to OUT On Resistance	$I_{OUT}=0.6A$		750		mΩ
	CHR_LDO Discharge Resistance		-	500	-	Ω
<b>PROTECTIONS</b>						
$I_{CL}$	Over-current Trip Threshold		0.9	1.25	1.6	A
-	Short-circuit Current Limit		-	0.75	-	
-	Input OVP Threshold		9.5	10	10.5	V
-	CHR_LDO Output Series Resistance		2.4	3	-	kΩ
<b>VCDT INTERNAL DIVIDER</b>						
	Divider Ratio	$V_{VCDT} / V_{ACIN}$	0.1035	0.1056	0.1078	V/V
<b>CHARGE CURRENT CONTROL</b>						
	Current Mirror Gain	$I_{OUT}=0.6A, I_{OUT}/I_{GATDRV}$	100	200	300	A/A
<b>THERMAL SHUTDOWN PROTECTION</b>						
TOTP	Thermal Shutdown Threshold	$T_J$ rising	-	160	-	°C
	Thermal Shutdown Hysteresis		-	40	-	°C

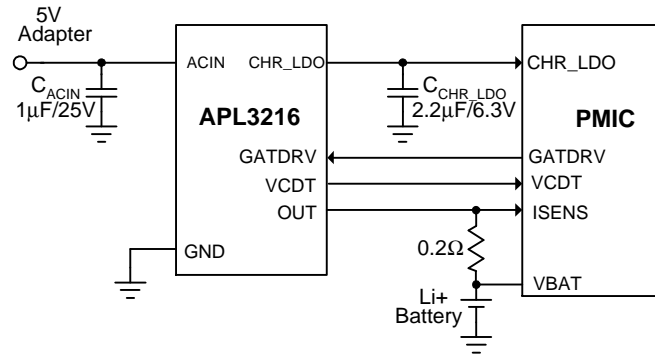
## Pin Description

PIN			Function
TDFN2x2-8	SOT-23-6		
NO.	NO.	NAME	
1	6	ACIN	Power Supply Input. Connect this pin to external DC supply. Bypass to GND with a 1 $\mu$ F (minimum) ceramic capacitor.
2			
3	5	GND	Ground terminal.
4	4	VCDT	Provide an internal voltage divider. This pin divides ACIN voltage into 0.1056 ratio.
5	3	GATDRV	Charging current control pin. When sinking a current from this pin, the OUT pin will source out a current whose magnitude is 200X I <sub>GATDRV</sub> .
6	2	CHR_LDO	Output Pin. The pin provides supply voltage to the PMIC input. Bypass to GND with a 1 $\mu$ F (minimum) ceramic capacitor.
7	1	OUT	Output Pins. The pin provides supply source current in series with a resistor to battery.
8			
Exposed Pad	-	GND	Exposed Thermal Pad. Must be electrically connected to the GND pin.

## Block Diagram



## Typical Application Circuit



Designation	Description
C <sub>ACIN</sub>	1μF, 25V, X5R, 0603 Murata GRM188R61E105K
	1μF, 16V, X5R, 0603 Murata GRM188R61C105K
C <sub>CHR_LDO</sub>	1μF, 6.3V, X5R, 0603 Murata GRM185R60J225KE26

## Function Description

### ACIN Power-On-Reset (POR)

The APL3216 is built-in a power-on-reset circuit to keep the output shut off until internal circuitry is operating properly. The POR circuit has hysteresis and a de-glitch feature so that it will typically ignore undershoot transients on the input. When input voltage exceeds the POR threshold and after 8ms blanking time, the output voltage starts a soft-start to reduce the inrush current.

### ACIN Over-Voltage Protection (OVP)

The CHR\_LDO output of the IC operates similar to a linear regulator. If the input voltage rises above  $V_{OVP}$ , the internal transistor will be turned off within 5 $\mu$ s to protect connected system on OUT pin. When the input voltage returns below the input OVP threshold minus the hysteresis, the transistor is turned on again after 1ms recovery time. The input OVP circuit has a 200mV hysteresis and a recovery time of  $T_{ON(OVP)}$  to provide noise immunity against transient conditions.

### Charging Current Control

The charging current is controlled by the GATDRV pin. When sourcing a current from the GATDRV pin, the OUT pin delivers the charging current which is 200-fold magnified in amplitude based on GATDRV's current. The  $I_{OUT}$  current can be calculated by this following equation:

$$I_{OUT} = 200 * I_{GATDRV}$$

where

The  $I_{OUT}$  is the current flowing out from OUT pin.

The  $I_{GATDRV}$  is the current flowing out from GATDRV pin.

### Current Limit

The output current is monitored by the internal Current Limit circuit. When the output current reaches the over current trip threshold, the device limits the output current at current limit threshold.

### Temperature Protection

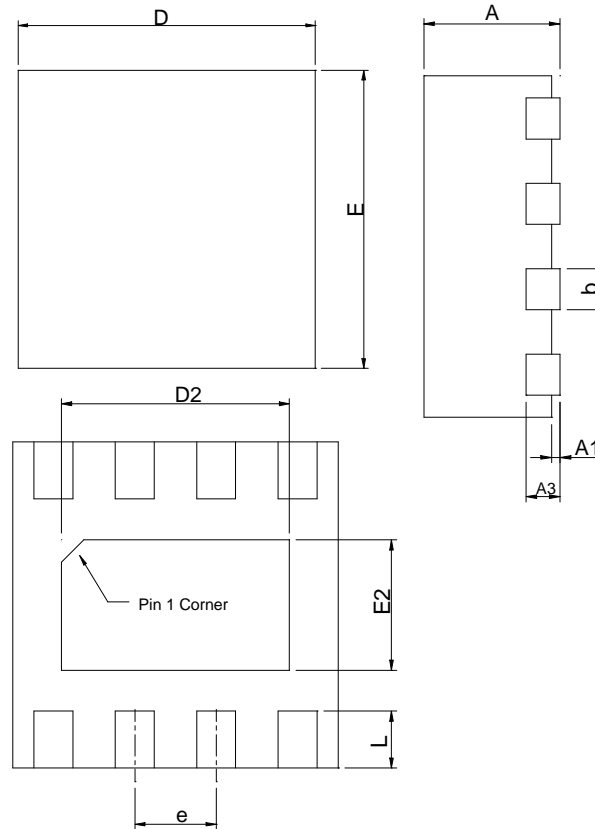
When the junction temperature exceeds 160°C, the internal thermal sense circuit turns off the power FET and allows the device to cool down. When the device's junction temperature cools by 40°C, the internal thermal sense circuit will enable the device, resulting in a pulsed output during continuous thermal protection. Thermal protection is designed to protect the IC in the event of over temperature conditions. For normal operation, the junction temperature cannot exceed  $T_J = +125^\circ\text{C}$ .

### ESD Tests

The APL3216 VIN input pin fully supports the IEC61000-4-2. That means the VIN pin has immunity of  $\pm 15\text{kV}$  ESD discharge in Air condition, and immunity of  $\pm 8\text{kV}$  ESD discharge in Contact condition.

## Package Information

TDFN2x2-8

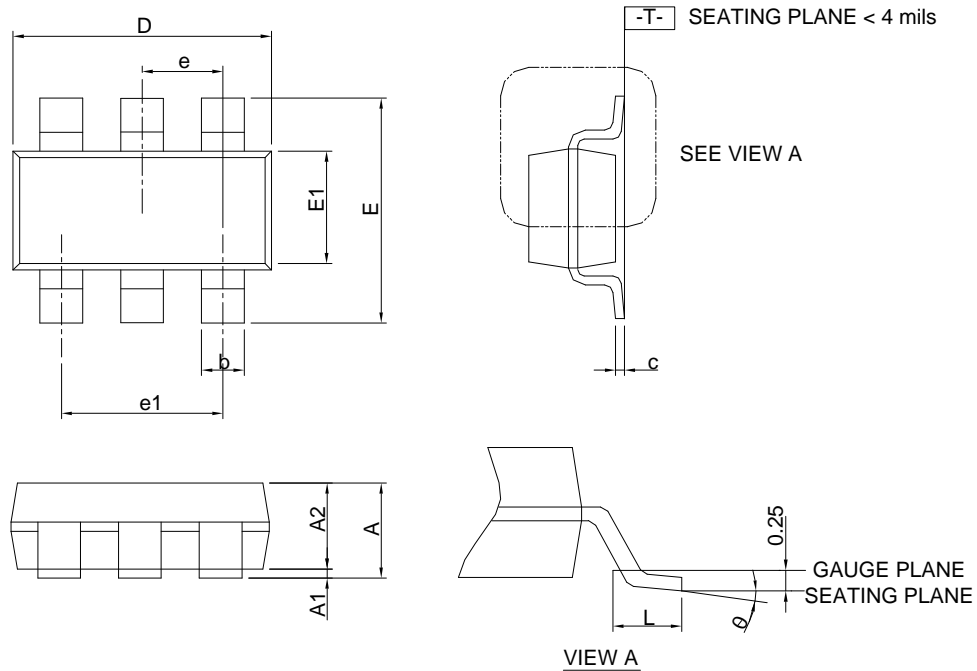


SYMBOL	TDFN2x2-8			
	MILLIMETERS		INCHES	
	MIN.	MAX.	MIN.	MAX.
A	0.70	0.80	0.028	0.031
A1	0.00	0.05	0.000	0.002
A3	0.20 REF		0.008 REF	
b	0.18	0.30	0.007	0.012
D	1.90	2.10	0.075	0.083
D2	1.00	1.60	0.039	0.063
E	1.90	2.10	0.075	0.083
E2	0.60	1.00	0.024	0.039
e	0.50 BSC		0.020 BSC	
L	0.30	0.45	0.012	0.018

Note : 1. Follow from JEDEC MO-229 WCCD-3.

Package Information

SOT-23-6

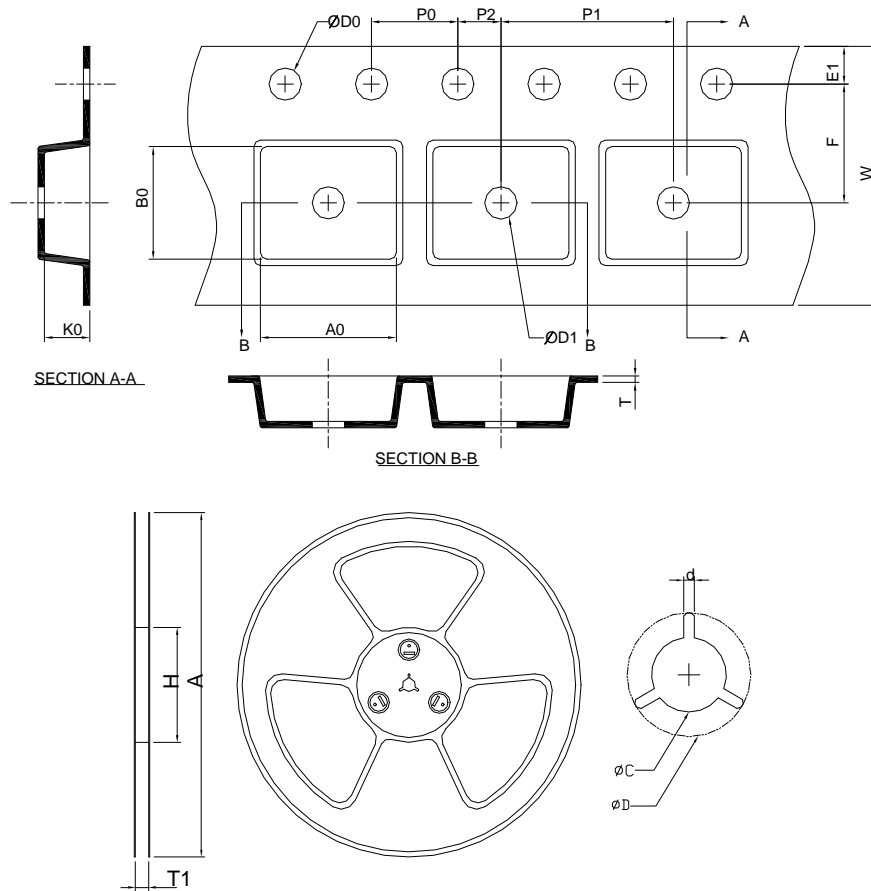


SYMBOL	SOT-23-6			
	MILLIMETERS		INCHES	
	MIN.	MAX.	MIN.	MAX.
A		1.45		0.057
A1	0.00	0.15	0.000	0.006
A2	0.90	1.30	0.035	0.051
b	0.30	0.50	0.012	0.020
c	0.08	0.22	0.003	0.009
D	2.70	3.10	0.106	0.122
E	2.60	3.00	0.102	0.118
E1	1.40	1.80	0.055	0.071
e	0.95 BSC		0.037 BSC	
e1	1.90 BSC		0.075 BSC	
L	0.30	0.60	0.012	0.024
$\theta$	0°	8°	0°	8°

Note : 1. Follow JEDEC TO-178 AB.  
 2. Dimension D and E1 do not include mold flash, protrusions or gate burrs. Mold flash, protrusion or gate burrs shall not exceed 10 mil per side.



Carrier Tape & Reel Dimensions



Application	A	H	T1	C	d	D	W	E1	F
TDFN2x2-8	178.0 ±2.00	50 MIN.	8.4+2.00 -0.00	13.0+0.50 -0.20	1.5 MIN.	20.2 MIN.	8.0 ±0.20	1.75 ±0.10	3.50 ±0.05
	P0	P1	P2	D0	D1	T	A0	B0	K0
	4.0 ±0.10	4.0 ±0.10	2.0 ±0.05	1.5+0.10 -0.00	1.5 MIN.	0.6+0.00 -0.4	3.35 MIN	3.35 MIN	1.30 ±0.20
SOT-23-6	178.0 ±2.00	50 MIN.	8.4+2.00 -0.00	13.0+0.50 -0.20	1.5 MIN.	20.2 MIN.	8.0 ±0.30	1.75 ±0.10	3.5 ±0.05
	P0	P1	P2	D0	D1	T	A0	B0	K0
	4.0 ±0.10	4.0 ±0.10	2.0 ±0.05	1.5+0.10 -0.00	1.0 MIN.	0.6+0.00 -0.40	3.20 ±0.20	3.10 ±0.20	1.50 ±0.20

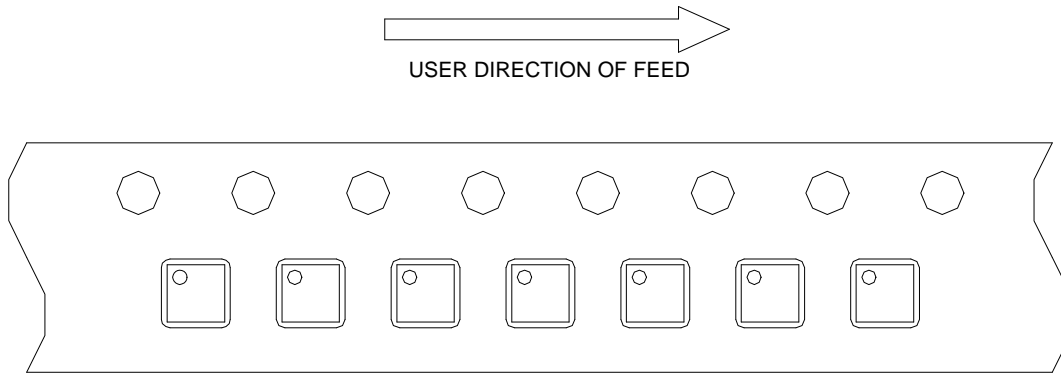
(mm)

Devices Per Unit

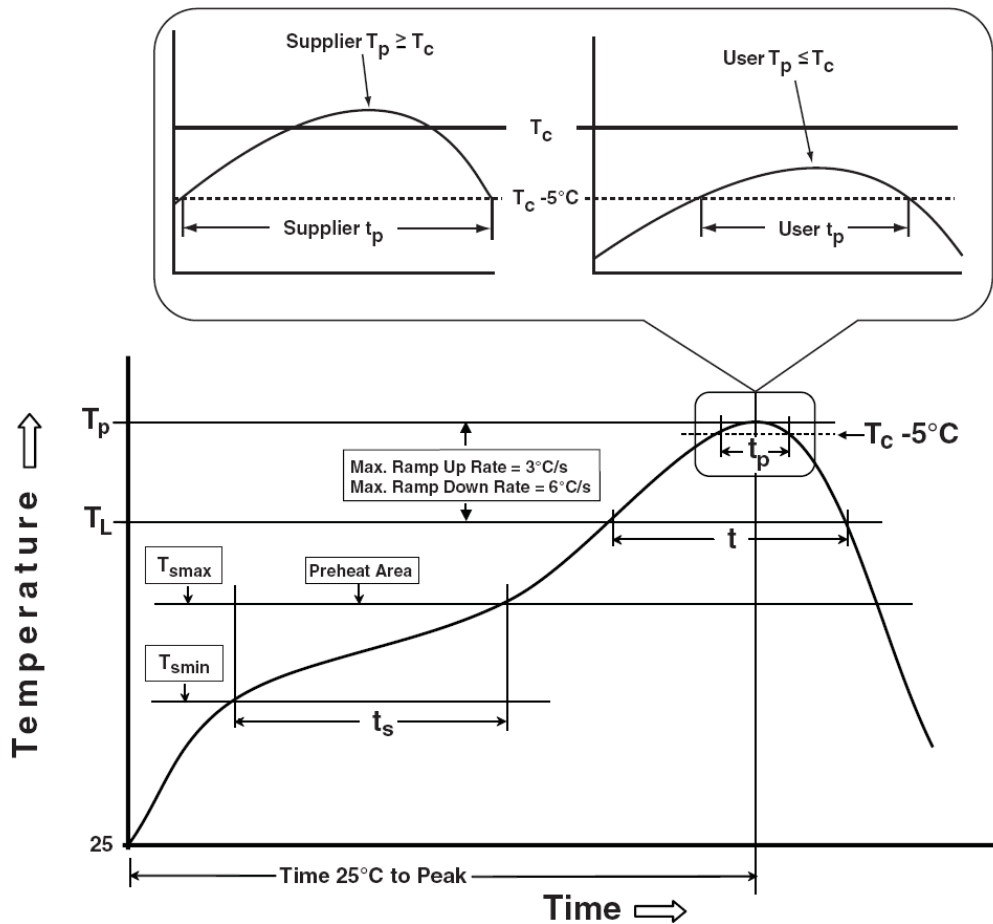
Package Type	Unit	Quantity
TDFN2x2-8	Tape & Reel	3000
SOT-23-6	Tape & Reel	3000

## Taping Direction Information

TDFN2x2-8



## Classification Profile



## Classification Reflow Profiles

Profile Feature	Sn-Pb Eutectic Assembly	Pb-Free Assembly
<b>Preheat &amp; Soak</b> Temperature min ( $T_{smin}$ ) Temperature max ( $T_{smax}$ ) Time ( $T_{smin}$ to $T_{smax}$ ) ( $t_s$ )	100 °C 150 °C 60-120 seconds	150 °C 200 °C 60-120 seconds
Average ramp-up rate ( $T_{smax}$ to $T_p$ )	3 °C/second max.	3°C/second max.
Liquidous temperature ( $T_L$ ) Time at liquidous ( $t_L$ )	183 °C 60-150 seconds	217 °C 60-150 seconds
Peak package body Temperature ( $T_p$ )*	See Classification Temp in table 1	See Classification Temp in table 2
Time ( $t_p$ )** within 5°C of the specified classification temperature ( $T_c$ )	20** seconds	30** seconds
Average ramp-down rate ( $T_p$ to $T_{smax}$ )	6 °C/second max.	6 °C/second max.
Time 25°C to peak temperature	6 minutes max.	8 minutes max.
* Tolerance for peak profile Temperature ( $T_p$ ) is defined as a supplier minimum and a user maximum. ** Tolerance for time at peak profile temperature ( $t_p$ ) is defined as a supplier minimum and a user maximum.		

Table 1. SnPb Eutectic Process – Classification Temperatures ( $T_c$ )

Package Thickness	Volume mm <sup>3</sup> <350	Volume mm <sup>3</sup> ≥350
<2.5 mm	235 °C	220 °C
≥2.5 mm	220 °C	220 °C

Table 2. Pb-free Process – Classification Temperatures ( $T_c$ )

Package Thickness	Volume mm <sup>3</sup> <350	Volume mm <sup>3</sup> 350-2000	Volume mm <sup>3</sup> >2000
<1.6 mm	260 °C	260 °C	260 °C
1.6 mm – 2.5 mm	260 °C	250 °C	245 °C
≥2.5 mm	250 °C	245 °C	245 °C

## Reliability Test Program

Test item	Method	Description
SOLDERABILITY	JESD-22, B102	5 Sec, 245°C
HOLT	JESD-22, A108	1000 Hrs, Bias @ $T_j=125^{\circ}\text{C}$
PCT	JESD-22, A102	168 Hrs, 100%RH, 2atm, 121°C
TCT	JESD-22, A104	500 Cycles, -65°C~150°C
ESD	JESD-22, A114; A115	VHBM 2KV, VMM 200V
Latch-Up	JESD 78	10ms, 1 <sub>tr</sub> 100mA

---

## Customer Service

### **Anpec Electronics Corp.**

Head Office :

No.6, Dusing 1st Road, SBIP,

Hsin-Chu, Taiwan, R.O.C.

Tel : 886-3-5642000

Fax : 886-3-5642050

Taipei Branch :

2F, No. 11, Lane 218, Sec 2 Jhongsing Rd.,

Sindian City, Taipei County 23146, Taiwan

Tel : 886-2-2910-3838

Fax : 886-2-2917-3838