

CAR AUDIO

Dolby B Type NR.

NR8850 is a highly integrated IC which contains in its inside HA12134, which is one chip IC of 2 channel dolby B type noise reduction system, and its auxiliary circuits.

FEATURES

- Small size is realized for replay only and to be mounted on a car as car-stereo.
- It has an advantageous space factor as it is contained in a single end package.

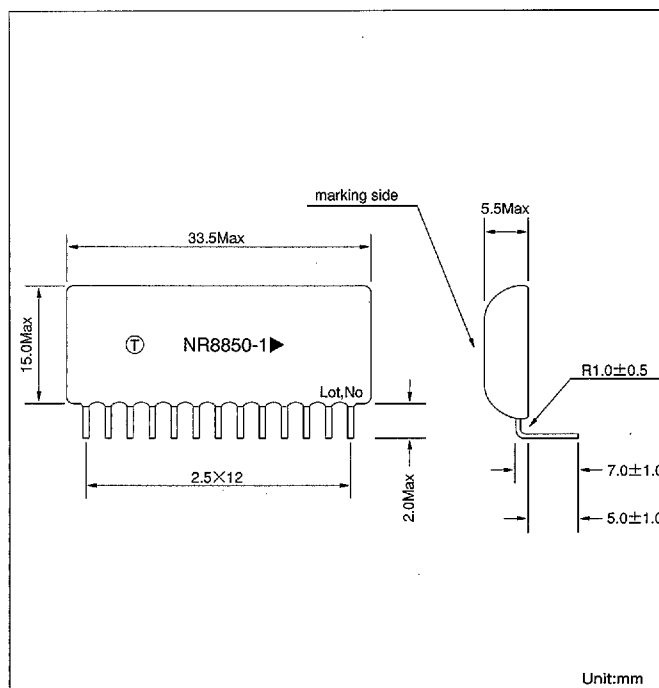
Note) The term "DOLBY" and double D signs are the trademarks of the Dolby Institute. The hybrid IC of this model can be supplied only by manufacturers approved as licensee by the Dolby Institute.

ABSOLUTE MAXIMUM RATINGS

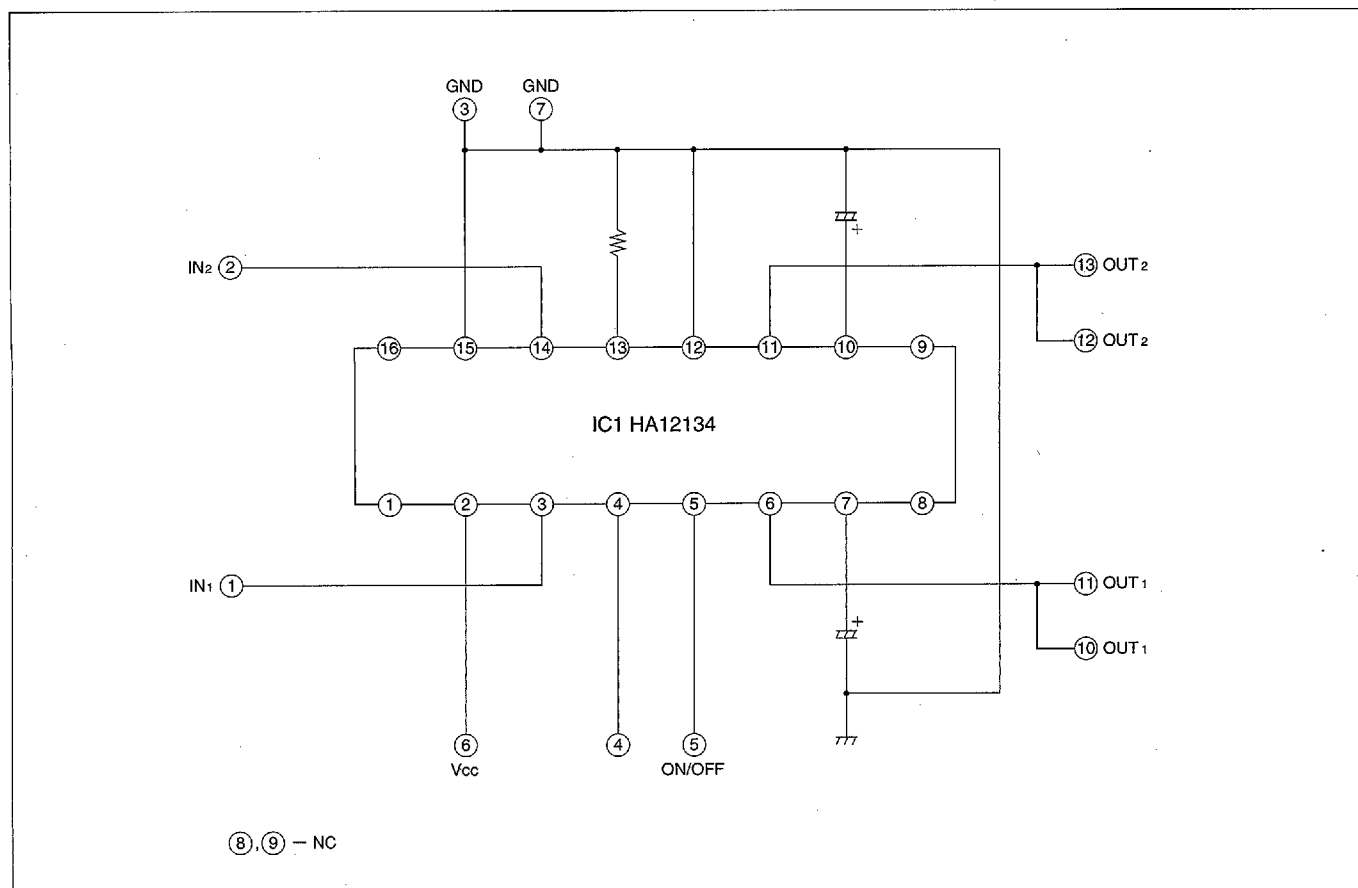
(TA=25°C)

Item	Symbol	Rating	Unit
Supply voltage	Vcc	16	V
Supply current	Icc	12	mA
Power dissipation	Pd	250	mW
Operating temperature	Topr	-20 ~ +85	°C
Storage temperature	Tstg	-40 ~ +85	°C

OUTLINE DIMENSIONS



INTERNAL CIRCUIT



CAR AUDIO

ELECTRICAL CHARACTERISTICS

TA=25°C, Vcc=7.5±0.1V, 337mV=0dB

No.	Item	Symbol	Specifications			Unit	NR on/off	Condition
			Min	Typ	Max			
1	Operating voltage	Vcc	7	12	16	V		
2	Supply current	Icc1		6	10	mA	on	Quiescent
3	Supply current	Icc2		6	10	mA	off	Quiescent
4	Voltage gain	Gv	21	23	25	dB	off	$20 \log \frac{V_{10(12)}}{V_{1(2)}}$ f=400Hz, V ₁₀₍₁₂₎ =0dB
5	Over load margin	Vo max	12	14.5		dB	on	V ₁₀₍₁₂₎ , f=1kHz, THD=1%
6	Signal/noise ratio (DEC)	S/N (DEC)	70	86		dB	on	Rg=5.1k CCIR/ARMfilter
7	Crosstalk	CT	54	61		dB	off	f=1kHz, V ₁₁₍₁₃₎ =0dB
8	Right-left level difference	CB	-1.0	0	1.0	dB		Gv(1→10)-Gv(2→12)
9	Total harmonic distortion	THD		0.05	0.3	%	off	f=1kHz, V ₁₀₍₁₂₎ =0dB, off
10	NR DECODE CUT $20 \log \frac{V_{11(13) \text{ on}}}{V_{11(13) \text{ off}}}$	DEC-1.4k	-5.9	-4.4	-2.9	dB	on→off	f=1.4kHz, V ₁₀₍₁₂₎ =-20dB (NR on)
		DEC-5k	-4.7	-3.2	-1.7	dB	on→off	f=5kHz, V ₁₀₍₁₂₎ =-20dB (NR on)

TEST CIRCUIT

