

# 深圳市盛佰威电子有限公司

销售热线：0755-61169046 报价 QQ635222749

## SCTX2B/SDRX2BD (NO: S&CIC0515)

### FIVE FUNCTIONS REMOTE CONTROLLER

#### Features

- Wide operating SCTX2B voltage range: 2.4V to 12V
- SCTX2B very low stand-by current
- Few external components needed
- SDRX2BD built-in 3.8v zener

#### General Description

The SCTX2B/RX2BD are a pair of CMOS LSIs designed for remote controlled car applications. The SCTX2B/RX2BD have five control keys controlling the motions ( i.e. forward, backward, rightward, leftward, and the turbo function ) of the remote controlled car.

#### Absolute Maximum Ratings

DC Supply Voltage-----0.3V to 5.0V

Input/Output Voltage-----GND -0.2V to VDD+0.2V

Operating temperature----- -10°C to 60°C

Storage Temperature----- -25°C to 125°C

*Comment\**

*Never allow a stress the values listed under “Absolute Maximum Ratings”, otherwise the device would suffer from a permanent damage. Nor is a stress at the listed value be allowed persist over a period, since an extended exposure to the absolute maximum rating condition may also affect the reliability of the device, if not causing a damage thereof.*

#### Oscillation Frequency

- SCTX2B VDD=3.0V, Rosc=250K, Fosc=110KHz~130KHz。
- SDRX2BD VDD=3.8V, Rosc=220K, Fosc=110KHz~130KHz。

#### Electrical Characteristics

SCTX2B ( VDD=4.5V,Fosc=128KHz,TA=25°C ,unless otherwise specified.)

Parameter	symbol	Min.	Typ.	Max.
Operating Voltage	VDD	2.4V	4V	5V
Operating Current	Idd	0.5 mA	--	1mA
Stand-by Current	Istb	--	--	3uA
DC O/P Driving Current	Idrive	2.5mA	--	--
AC O/P Driving Current	Idrive	2.5mA	--	--
Effect Encoding Frequency Variation	Faudio	500Hz	--	1KHz

SDRX2BD ( VDD=4.5V,Fosc=128KHz,TA=25°C , built-in 3.8v zener.)

# 深圳市盛佰威电子有限公司

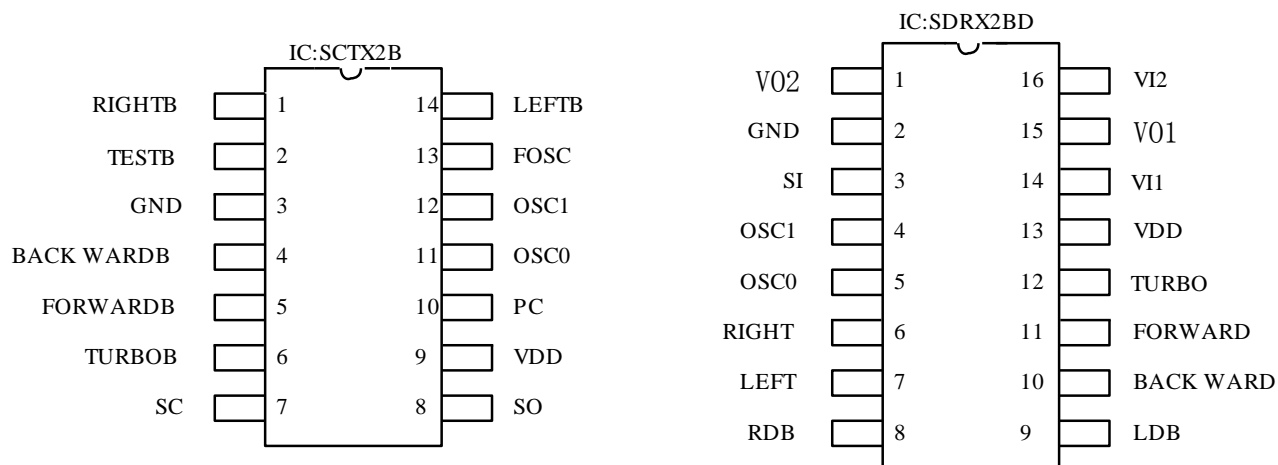
销售热线：0755-61169046 报价 QQ635222749

**SCTX2B/SDRX2BD** (NO: S&CIC0515)

## FIVE FUNCTIONS REMOTE CONTROLLER

Parameter	symbol	Min.	Typ.	Max.
Operating Voltage	VDD	2.4V	3.8V	12.0V
Operating Current	I <sub>dd</sub>	--	--	30mA
DC O/P Driving Current	I <sub>drive</sub>	1mA	--	--
AC O/P Driving Current	I <sub>sink</sub>	1mA	--	--
Effect Decoding Frequency Variation	I <sub>tolerance</sub>	-15%	--	15%

### Pin description



### SCTX2B

PIN	Symbol	function
1	RIGHTB	The rightward function will be selected when this pin is connected to GND.
2	TESTB	Test pin
3	GND	Negative power supply.
4	BACK WARDB	The backward function will be selected when this pin is connected to GND.
5	FORWARDB	The forward function will be selected when this pin is connected to GND.
6	TURBOB	The turbo function will be selected when this pin is connected to GND.
7	SC	Output pin of the encoding signal with carrier frequency
8	SO	Output pin of the encoding signal.
9	VDD	Positive power supply
10	PC	Power control output pin. When any function key is pulled low, PC will be high logic.
11	OSCO	Oscillator output pin
12	OSCI	Oscillator input pin
13	FOSC	Test pin
14	LEFTB	The leftward function will be selected when this pin is connected t GND

# 深圳市盛佰威电子有限公司

销售热线：0755-61169046 报价 QQ635222749

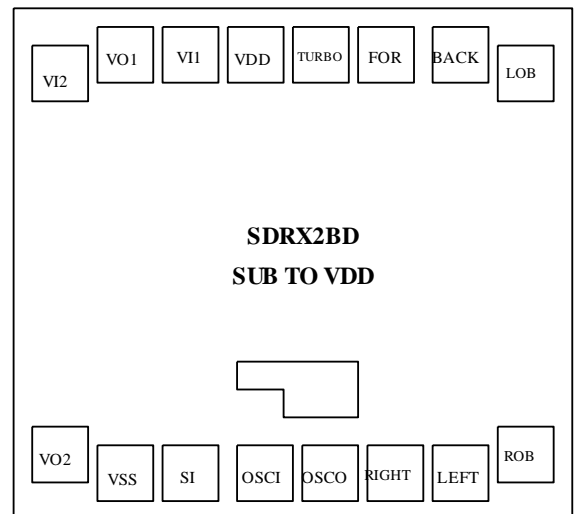
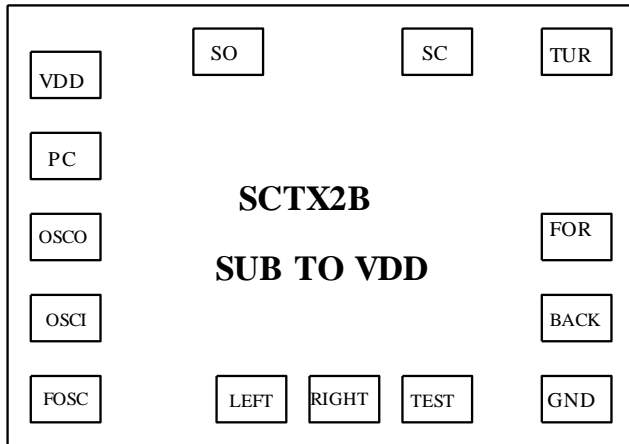
**SCTX2B/SDRX2BD** (NO: S&CIC0515)

## FIVE FUNCTIONS REMOTE CONTROLLER

### SDRX2BD

pin	symbol	function
1	VO2	Inverter 2 output pin for power amplify
2	GND	Negative power supply.
3	SI	Input pin of the encoding signal
4	OSCI	Oscillator input pin
5	OSCO	Oscillator output pin
6	RIGHT	Rightward output pin
7	LEFT	Leftward output pin
8	RDB	Right disable pin
9	LDB	Left disable pin
10	BACK WARD	Backward output pin
11	FORWARD	Forward output pin
12	TURBO	TURBO output pin
13	VDD	Positive power supply
14	VII	Inverter 1 input pin for signal amplify
15	VO1	Inverter 1 output pin for signal amplify
16	VI2	Inverter 2 input pin for signal amplify

### PAD location



# 深圳市盛佰威电子有限公司

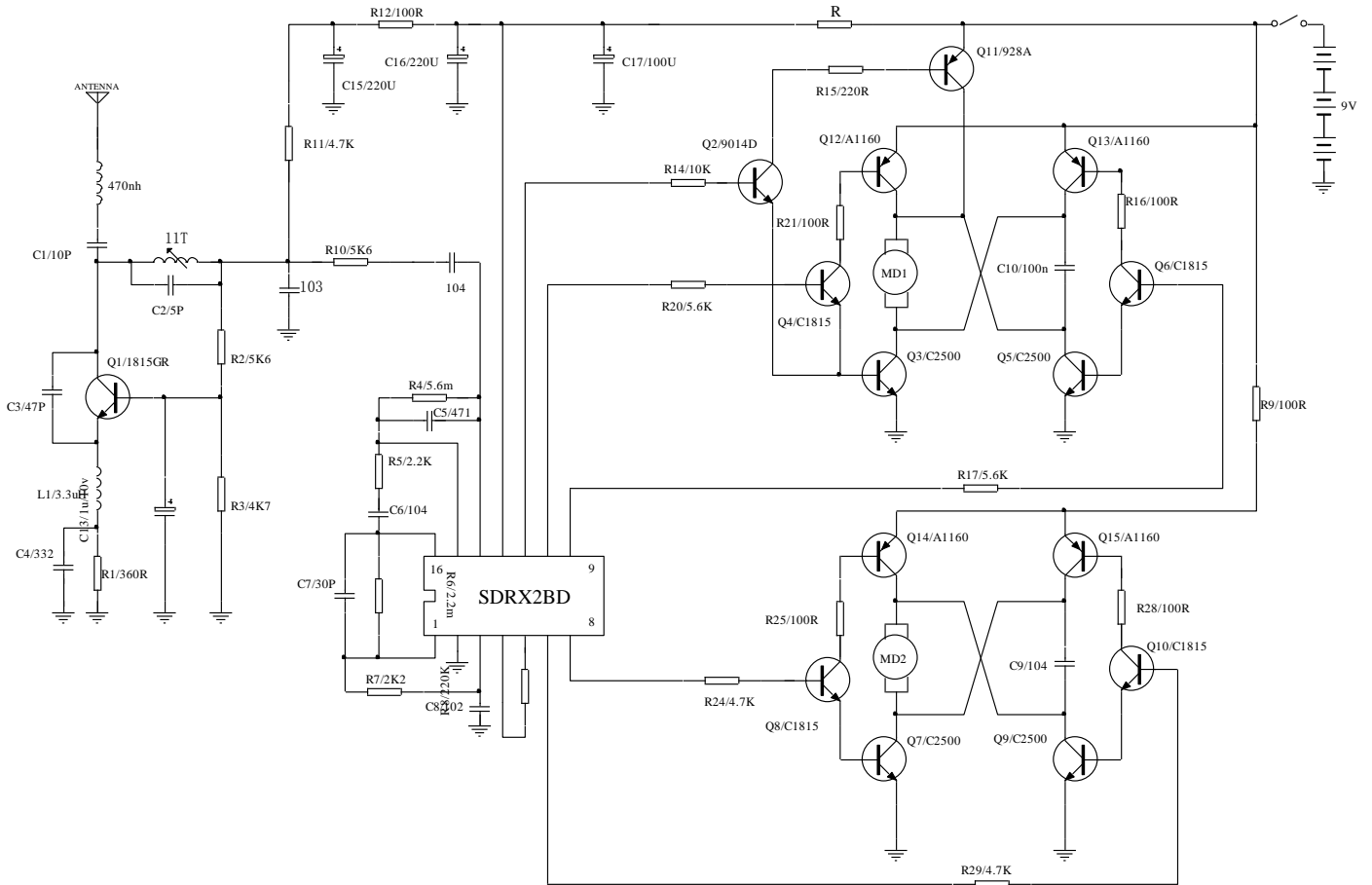
销售热线：0755-61169046 报价 QQ635222749

## SCTX2B/SDRX2BD (NO: S&CIC0515)

### FIVE FUNCTIONS REMOTE CONTROLLER

#### APPLICATION CIRCUIT:

1、for SDRX2BD:



Operating Voltage	Resister for supply current of VDD
4.5V	180Ω
6.0V	270Ω
9.0V	470Ω
12.0V	560Ω

# 深圳市盛佰威电子有限公司

销售热线：0755-61169046 报价 QQ635222749

## SCTX2B/SDRX2BD (NO: S&CIC0515) FIVE FUNCTIONS REMOTE CONTROLLER

2、For SCTX2BD:

