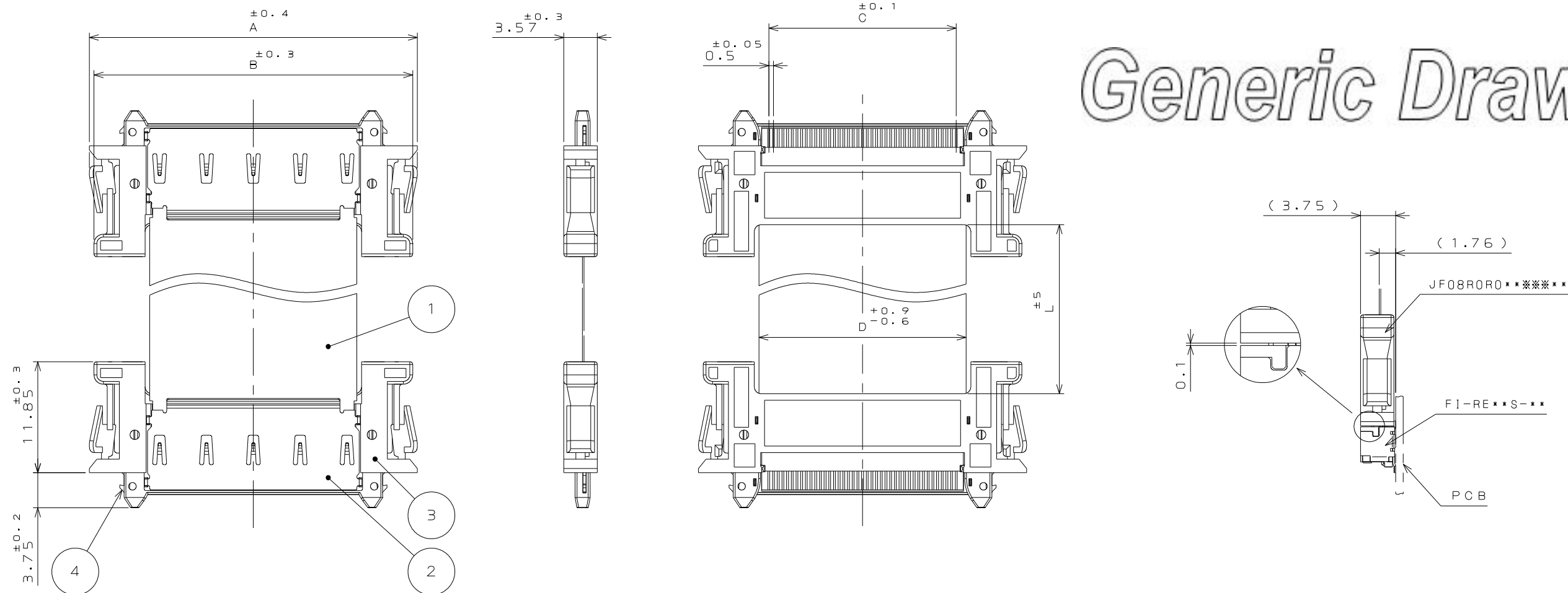


JF08R-070918

(.ON GNIMVAD)号理图

版数 REV.	年月日 DATE	DCN NO.	変更内容 DESCRIPTION	製図 DR.	担当 CHK.	査閲 APPD.	承認 APPD.

Generic Drawing



J F 0 8 R O R O * * * * *
 MODIFICATION CODE *
 CABLE LENGTH CODE (TABLE 2)
 No. OF CONTACT (TABLE 1)
 CONNECTOR TYPE MODIFICATION CODE
 CONNECTOR TYPE R:FI-R
 CONNECTOR TYPE MODIFICATION CODE
 CONNECTOR TYPE R:FI-R
 SERIES

TABLE 1

No. OF CONTACT	A ±0.4	B ±0.3	C ±0.1	D +0.2/-0.6
21	25	24	10	12.1
31	30	29	15	17.1
41	35	34	20	22.1
51	40	39	25	27.1

TABLE 2

CABLE LENGTH CODE *	L ±5 [mm]
010	97
015	147
020	197
025	247
030	297
040	397
050	497
060	597
080	797
100	997

* Modification Code: AA = standard cable; LA standard double shielded cable; TA: double shielded reversed cable
 Pin assignment: standard version 1:n; reversed version: 1:1. For further specification please refer to JACS-10694-3

* Beside the standard cable length mentioned in table 2 there are further and/or customized cable length available.

4	LOCK	4	STAINLESS STEEL		
3	INSULATOR	2	HEAT RESISTING PLASTIC		UL94V-0
2	SHELL	2	COPPER ALLOY	TIN PLATING	
1	FFC	1	CONDUCTOR: COPPER ALLOY INSULATION TAPE: PET/ADHESIVES	CONTACT AREA: GOLD OVER NICKEL	
符号 NO.	名称 DESCRIPTION	个数 QTY.	材料 MATERIAL	仕上 FINISH	備考 REMARKS
仕様書 (SPECIFICATION)		第1版 (ORIGINAL DATE) 18.Sep.2007		尺度 (SCALE) 2:1	シリーズ (SERIES) JF08
一般公差 (GENERAL TOLERANCE)		製図 DR.		名称 (TITLE) JF08RORO * * * * *	
寸法 (DIMENSION)		担当 CHK. K.NAKAMURA			
角度 (ANGLES)		査閲 APPD.			
. ±0.8 .X ±0.4 .XX ±0.1 .XXX ±		承認 APPD.			
質量 (MASS)			日本航空電子工業株式会社 JAPAN AVIATION ELECTRONICS INDUSTRY, LTD. JAE		
図面番号 (DRAWING NO.) JF08R-070918					版数 (REV.) 1

DCF-C-212F(05.08)

