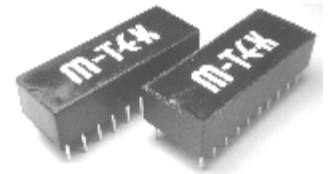


## 10/100 BASE-T TRANSFORMER MODULES

- F T** ransformer Modules ( 10/100 Base-Tx) For Auto MDI / MDIX Applications.
- F C** ompliant With IEEE 802.3 and ANSI X3.236 Standard Including Baseline Wander Compensation Specification Of 350uH OCL When Biased at 8mA From 0°C to 70°C.
- F A** vailable In Through Hole Package .
- F F** or RoHS Part Add Suffix G.



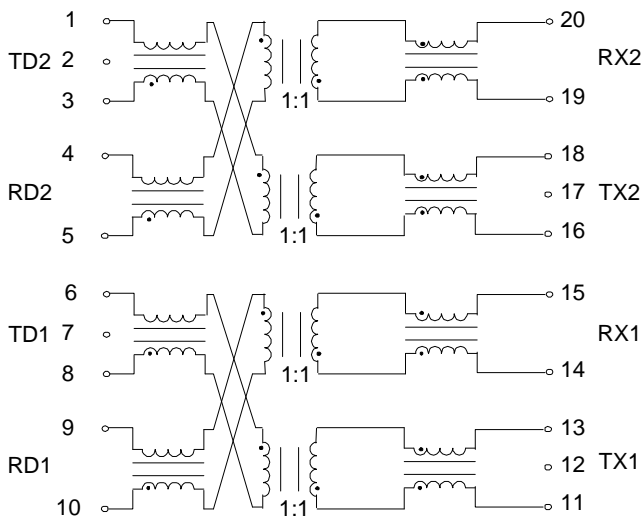
### ELECTRICAL SPECIFICATIONS @ 25°C ( Operating Temperature : 0°C to 70°C )

Part Number	Insertion Loss (dB max)		Return Loss (dB min)			CMRR (dB min)			Crosstalk (dB min)	
	0.3-100MHz	0.3-30MHz	40MHz	50MHz	60-80MHz	0.3-30MHz	60MHz	80-100MHz	0.3-30MHz	60-100MHz
H20201DL	-1.1	-18	-14.4	-13.1	-12	-40	-35	-30	-42	-33
H20202DL	-1.1	-18	-14.4	-13.1	-12	-40	-35	-30	-42	-33
H20203DL	-1.1	-18	-14.4	-13.1	-12	-40	-35	-30	-42	-33
H20204DL	-1.1	-18	-14.4	-13.1	-12	-40	-35	-30	-42	-33
H20205DL	-1.1	-18	-14.4	-13.1	-12	-40	-35	-30	-42	-33
H20206DL	-1.1	-18	-14.4	-13.1	-12	-40	-35	-30	-42	-33
H20207DL	-1.1	-18	-14.4	-13.1	-12	-40	-35	-30	-42	-33
H20208DL	-1.1	-18	-14.4	-13.1	-12	-40	-35	-30	-40	-38

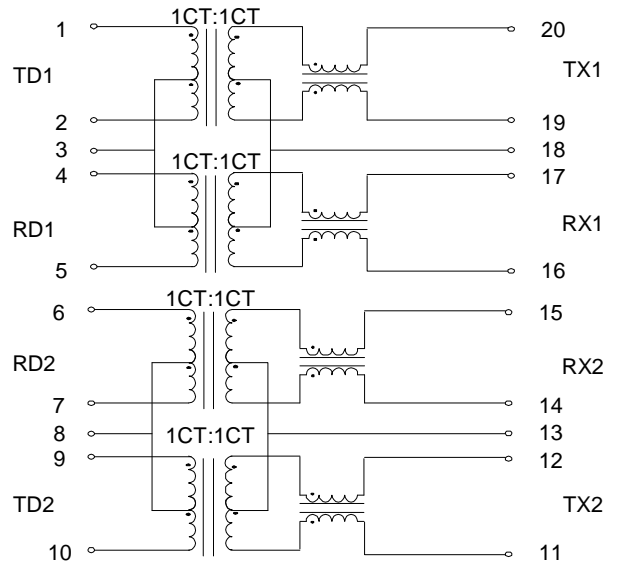
## 10/100 BASE-T TRANSFORMER MODULES

### SCHEMATICS (Continued)

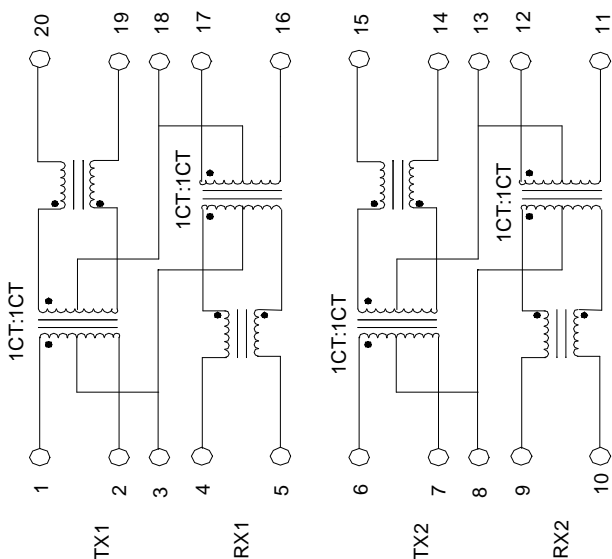
**H20201DL**



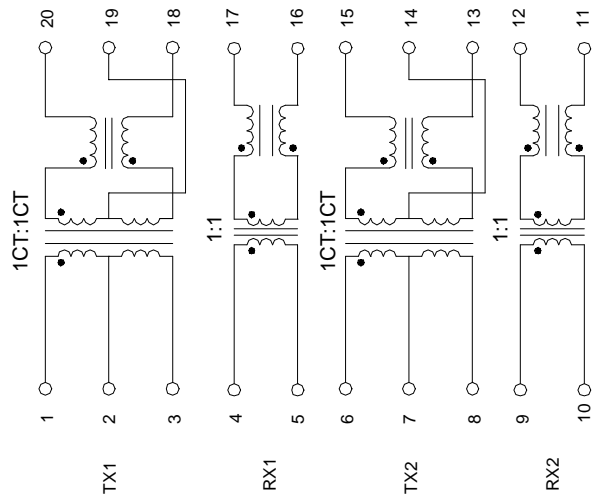
**H20202DL**



**H20203DL**



**H20204DL**



Head Office  
MAGTEK TECHNOLOGY INC.  
Tel : 886-3-3694878  
Fax: 886-3-3690778

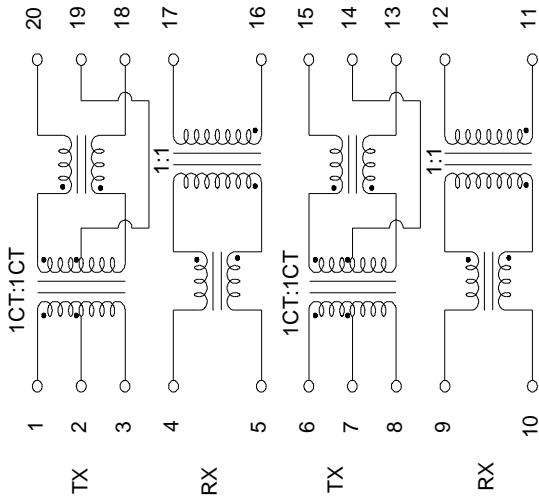
ShenZhen Office  
MAGTEK TECHNOLOGY INC.  
Tel : 286-755-83347151  
Fax: 286-755-83363151

China Factory  
MAGTEK INTERNATIONAL INC.  
Tel : 286-769-86636536  
Fax: 286-769-86326256

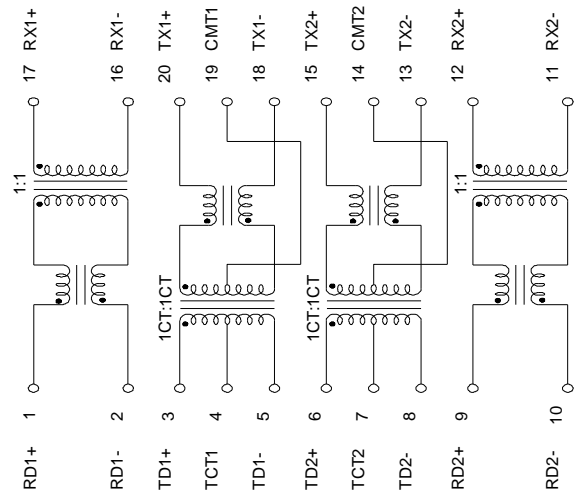
## 10/100 BASE-T TRANSFORMER MODULES

### SCHEMATICS(Continued)

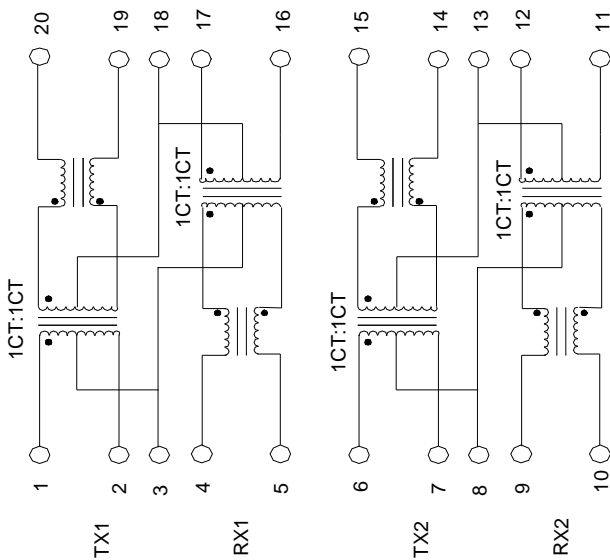
**H20205DL**



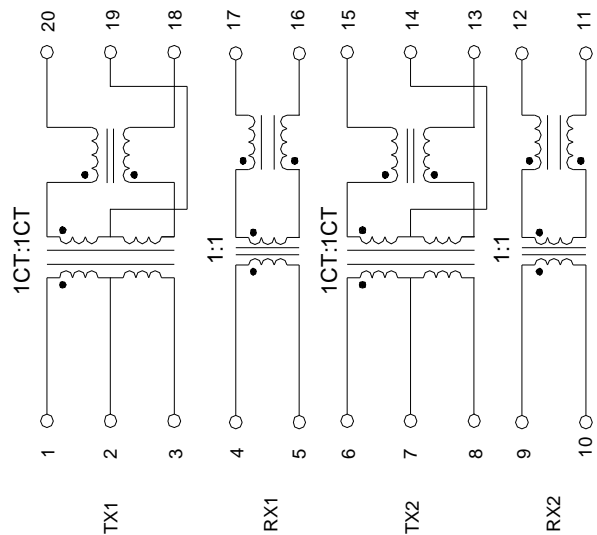
**H20206DL**



**H20207DL**



**H20208DL**



Head Office  
MAGTEK TECHNOLOGY INC.  
Tel : 886-3-3694878  
Fax: 886-3-3690778

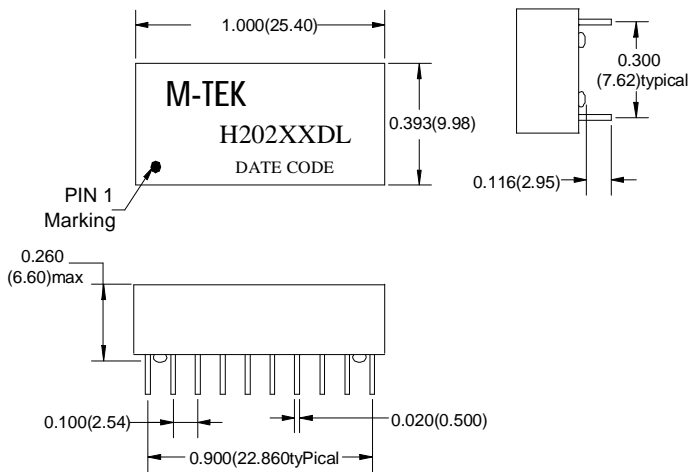
ShenZhen Office  
MAGTEK TECHNOLOGY INC.  
Tel : 286-755-83347151  
Fax: 286-755-83363151

China Factory  
MAGTEK INTERNATIONAL INC.  
Tel : 286-769-86636536  
Fax: 286-769-86326256

## 10/100 BASE-T TRANSFORMER MODULES

### MECHANICAL SPECIFICATIONS

#### H202XXDL



DIMENSIONS : INCHES/(mm) UNLESS OTHERWISE SPECIFIED ALL TOLERANCES ARE  $\pm 0.010(0.25)$ .

Head Office  
MAGTEK TECHNOLOGY INC.  
Tel : 886-3-3694878  
Fax: 886-3-3690778

ShenZhen Office  
MAGTEK TECHNOLOGY INC.  
Tel : 286-755-83347151  
Fax: 286-755-83363151

China Factory  
MAGTEK INTERNATIONAL INC.  
Tel : 286-769-86636536  
Fax: 286-769-86326256