



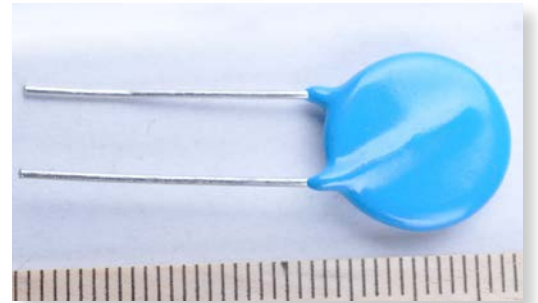
# Metal Oxide Varistors

**10D Series**

## Metal Oxide Varistors - 10D Series

### Features

1. Wide operating voltage (V1mA) range from 8V to 1800V.
2. Fast responding to transient over-voltage.
3. Large absorbing transient energy capability.
4. Low clamping ratio and no following-on current.



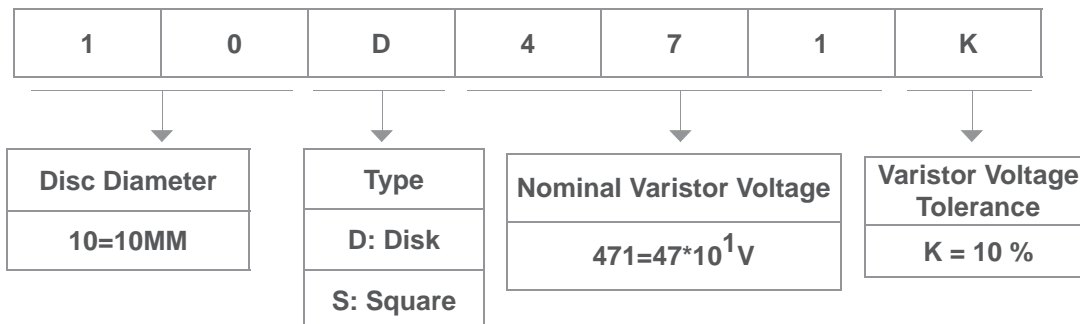
### General Information

The MOV-10DxxxK Series of 10 mm radial leaded varistor devices protects against overvoltage transients such as lightning, power contact and power induction. The metal oxide varistors offer a choice of varistor voltages from 18 V to 1800 V and Vrms voltages from 11 V to 1000 V. The devices have a high current handling, high energy absorption capability and fast response times to protect against transient faults up to rated limits.

### General Characteristics

No Radioactive Material Storage Temperature: -55°C to +125°C  
 Operating Temperature: -55°C to +85°C  
 Body: Nickel Plated  
 Leads: Surface-mount, Axial Devices: Tin Plated  
 Devices with No Leads: Nickel Plated

### Product Name



## Metal Oxide Varistors - 10D Series

### Electrical Characteristics

| Type Number |            | Maximum Allowable Voltage |                     | Varistor Voltage     | Maximum Clamping Voltage |                    | Withstanding Surge Current |                 | Maximum Energy (10/1000µs) |                | Rated Power | Typical Capacitance (Reference) |
|-------------|------------|---------------------------|---------------------|----------------------|--------------------------|--------------------|----------------------------|-----------------|----------------------------|----------------|-------------|---------------------------------|
| Standard    | High Surge | V <sub>AC</sub> (V)       | V <sub>DC</sub> (V) | V <sub>1mA</sub> (V) | I <sub>P</sub> (A)       | V <sub>C</sub> (V) | I(A) Standard              | I(A) High Surge | (J) Standard               | (J) High Surge | (W)         | @1KHz(pf)                       |
| 10D180K     | 10D180KJ   | 11                        | 14                  | 18(15~21.6)          | 5                        | 36                 | 500                        | 1000            | 2.1                        | 3.0            | 0.05        | 5600                            |
| 10D220K     | 10D220KJ   | 14                        | 18                  | 22(19.5~26)          | 5                        | 43                 | 500                        | 1000            | 2.5                        | 5.0            | 0.05        | 4500                            |
| 10D270K     | 10D270KJ   | 17                        | 22                  | 27(24~30)            | 5                        | 53                 | 500                        | 1000            | 3.0                        | 6.0            | 0.05        | 3700                            |
| 10K330K     | 10K330KJ   | 20                        | 26                  | 33(29.5~36.5)        | 5                        | 66                 | 500                        | 1000            | 4.0                        | 7.0            | 0.05        | 3000                            |
| 10D390K     | 10D390KJ   | 25                        | 31                  | 39(35~43)            | 5                        | 77                 | 500                        | 1000            | 4.6                        | 9.0            | 0.05        | 2400                            |
| 10D470K     | 10D470KJ   | 30                        | 38                  | 47(42~54)            | 5                        | 93                 | 500                        | 1000            | 5.5                        | 11.0           | 0.05        | 2100                            |
| 10D560K     | 10D560KJ   | 35                        | 45                  | 56(50~62)            | 5                        | 100                | 500                        | 1000            | 7.0                        | 13.0           | 0.05        | 1800                            |
| 10D680K     | 10D680KJ   | 40                        | 56                  | 68(61~75)            | 5                        | 135                | 500                        | 1000            | 8.2                        | 15.0           | 0.05        | 1500                            |
| 10D820K     | 10D820KJ   | 50                        | 65                  | 82(74~90)            | 25                       | 135                | 2500                       | 3500            | 12.0                       | 17.0           | 0.4         | 1200                            |
| 10D101K     | 10D101KJ   | 60                        | 85                  | 100(90~110)          | 25                       | 165                | 2500                       | 3500            | 15.0                       | 18.0           | 0.4         | 1000                            |
| 10D121K     | 10D121KJ   | 75                        | 100                 | 120(108~132)         | 25                       | 200                | 2500                       | 3500            | 18.0                       | 21.0           | 0.4         | 830                             |
| 10D151K     | 10D151KJ   | 95                        | 125                 | 150(135~165)         | 25                       | 250                | 2500                       | 3500            | 22.0                       | 25.0           | 0.4         | 670                             |
| 10D181K     | 10D181KJ   | 115                       | 150                 | 180(162~198)         | 25                       | 300                | 2500                       | 3500            | 27.0                       | 30.0           | 0.4         | 560                             |
| 10D201K     | 10D201KJ   | 130                       | 170                 | 200(180~220)         | 25                       | 340                | 2500                       | 3500            | 30.0                       | 35.0           | 0.4         | 500                             |
| 10D221K     | 10D221KJ   | 140                       | 180                 | 220(198~242)         | 25                       | 360                | 2500                       | 3500            | 32.0                       | 39.0           | 0.4         | 450                             |
| 10D241K     | 10D241KJ   | 150                       | 200                 | 240(216~264)         | 25                       | 395                | 2500                       | 3500            | 35.0                       | 42.0           | 0.4         | 420                             |
| 10D271K     | 10D271KJ   | 175                       | 225                 | 270(243~297)         | 25                       | 455                | 2500                       | 3500            | 40.0                       | 49.0           | 0.4         | 370                             |
| 10D301K     | 10D301KJ   | 190                       | 250                 | 300(270~330)         | 25                       | 500                | 2500                       | 3500            | 40.0                       | 54.0           | 0.4         | 330                             |
| 10D331K     | 10D331KJ   | 210                       | 275                 | 330(297~363)         | 25                       | 550                | 2500                       | 3500            | 40.0                       | 58.0           | 0.4         | 300                             |
| 10D361K     | 10D361KJ   | 230                       | 300                 | 360(324~396)         | 25                       | 595                | 2500                       | 3500            | 43.0                       | 65.0           | 0.4         | 280                             |
| 10D391K     | 10D391KJ   | 250                       | 320                 | 390(351~429)         | 25                       | 650                | 2500                       | 3500            | 47.0                       | 70.0           | 0.4         | 260                             |
| 10D431K     | 10D431KJ   | 275                       | 350                 | 430(387~473)         | 25                       | 710                | 2500                       | 3500            | 60.0                       | 80.0           | 0.4         | 230                             |
| 10D471K     | 10D471KJ   | 300                       | 385                 | 470(423~517)         | 25                       | 775                | 2500                       | 3500            | 65.0                       | 85.0           | 0.4         | 210                             |
| 10D511K     | 10D511KJ   | 320                       | 415                 | 510(459~561)         | 25                       | 845                | 2500                       | 3500            | 70.0                       | 90.0           | 0.4         | 200                             |
| 10D561K     | 10D561KJ   | 350                       | 460                 | 560(504~616)         | 25                       | 925                | 2500                       | 3500            | 70.0                       | 92.0           | 0.4         | 180                             |
| 10D621K     | 10D621KJ   | 385                       | 505                 | 620(558~682)         | 25                       | 1025               | 2500                       | 3500            | 70.0                       | 95.0           | 0.4         | 160                             |
| 10D681K     | 10D681KJ   | 420                       | 560                 | 680(612~748)         | 25                       | 1120               | 2500                       | 3500            | 70.0                       | 98.0           | 0.4         | 150                             |
| 10D751K     | 10D751KJ   | 460                       | 615                 | 750(675~825)         | 25                       | 1240               | 2500                       | 3500            | 70.0                       | 100.0          | 0.4         | 130                             |
| 10D781K     | 10D781KJ   | 485                       | 640                 | 780(702~858)         | 25                       | 1290               | 2500                       | 3500            | 80.0                       | 105.0          | 0.4         | 130                             |
| 10D821K     | 10D821KJ   | 510                       | 670                 | 820(738~902)         | 25                       | 1355               | 2500                       | 3500            | 85.0                       | 110.0          | 0.4         | 120                             |
| 10D911K     | 10D911KJ   | 550                       | 745                 | 910(819~1001)        | 25                       | 1500               | 2500                       | 3500            | 93.0                       | 130.0          | 0.4         | 110                             |
| 10D102K     | 10D102KJ   | 625                       | 825                 | 1000(900~1100)       | 25                       | 1650               | 2500                       | 3500            | 102.0                      | 140.0          | 0.4         | 100                             |
| 10D112K     | 10D112KJ   | 680                       | 895                 | 1100(990~1210)       | 25                       | 1815               | 2500                       | 3500            | 115.0                      | 155.0          | 0.4         | 90                              |
| 10D182K     | 10D182KJ   | 1000                      | 1465                | 1800(1620~1980)      | 25                       | 2970               | 2500                       | 3500            | 133.0                      | 250.0          | 0.4         | 70                              |

## Metal Oxide Varistors - 10D Series

| Electrical Rating          |  |                  |                  |  |
|----------------------------|--|------------------|------------------|--|
| Item                       | Test Condition / Description   |                  |                  | Requirement                            |
| Varistor Voltage           | The voltage between two terminals with the specified measuring current 1mA. DC applied is call Vb.   |                  |                  | To meet the specified value            |
| Maximum Allowable Voltage  | The recommended maximum sine wave voltage (RMS) or the maximum DC voltage can be applied continuously.   |                  |                  |  |
| Rated Wattaget             | The maximum average power that can be applied within the specified ambient temperature.  |                  |                  |  |
| IEnergy                    | The maximum energy within the varistor voltage change of ±10% when one impulse of 10/1000µsec. or 2 msec. is applied.  |                  |                  |  |
| Withstanding Surge Current | The maximum current within the varistor voltage change of ±10% with the standard impulse current (8/20µsec.) applied one time.                               |                  |                  | $\frac{\Delta V_b}{V_b} \leq \pm 10\%$ |
| Surge Life                 | The change of Vb shall be measured after the impulse listed below is applied 10,000 times continuously with the interval of ten seconds at room temperature. |                  |                  |  |
|                            | 5D series  | 180K to 680K     | 10A (8/20µsec.)  |  |
|                            |  | 820K to 751K     | 20A (8/20µsec.)  |  |
|                            | 7Dseries   | 180K to 680K     | 25A (8/20µsec.)  |  |
|                            |  | 820K to 821K     | 50A (8/20µsec.)  |  |
|                            | 10D series   | 180K to 680K     | 50A (8/20µsec.)  |  |
|                            |  | 820K to 182K     | 100A (8/20µsec.) |  |
|                            | 14D series   | 180K to 680K     | 75A (8/20µsec.)  |  |
|                            |  | 820K to 182K     | 150A (8/20µsec.) |  |
|                            | 20D series   | 180K to 680K     | 100A (8/20µsec.) |  |
| 820K to 182K               |  | 200A (8/20µsec.) |                  |  |

## Metal Oxide Varistors - 10D Series

### Current Energy and Power Dissipation Ratings

Should transients occur in rapid succession, the average power dissipation is the energy (watt-seconds) per pulse times the number of pulses per second. The power so developed must be within the specifications shown on the Device Ratings and Specifications Table for the specific device. The operating values of a MOV need to be derated at high temperatures as shown above. Because varistors only dissipate a relatively small amount of average power they are not suitable for repetitive applications that involve substantial amounts of average power dissipation.

Figure 1A - Power Derating for Epoxy Coated

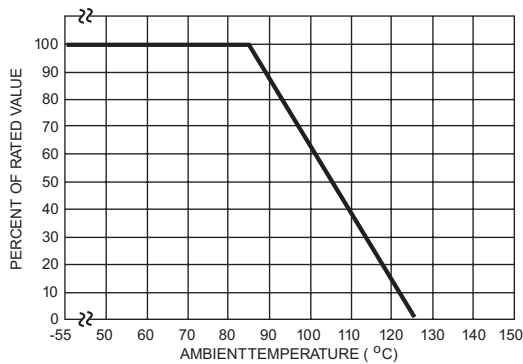
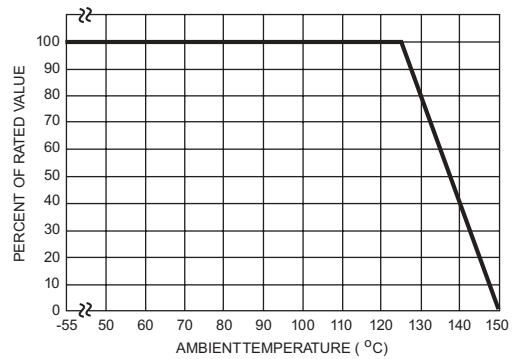
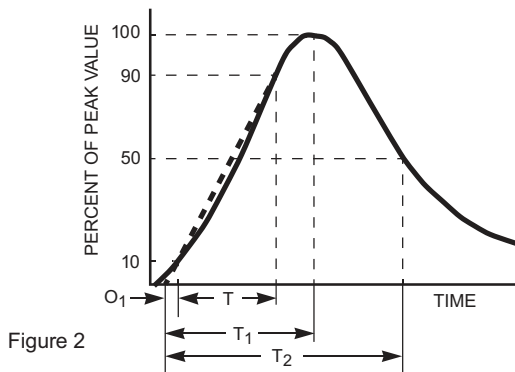


Figure 1B - Power Derating for Pholenic Coated



### Peak Pulse Current Test Waveform



$O_1$  = Virtual Origin of Wave  
 $T$  = Time from 10% to 90% of Peak  
 $T_1$  = Rise Time =  $1.25 \times T$   
 $T_2$  = Decay Time  
 Example - For an  $8/20 \mu s$  Current Waveform:  
 $8 \mu s = T_1 = \text{Rise Time}$   
 $20 \mu s = T_2 = \text{Decay Time}$

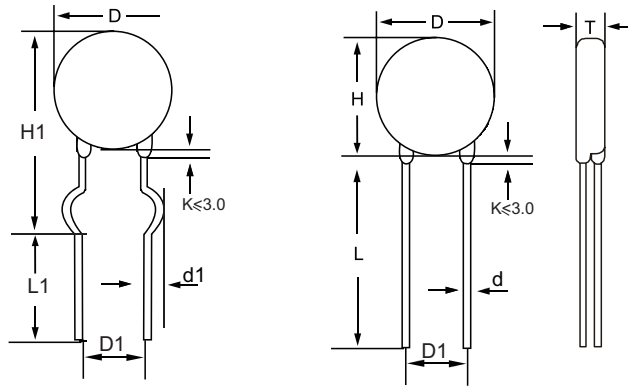
### Packaging

| Part Number | Component Package | Quantity | Packaging Option | Packaging Specification |
|-------------|-------------------|----------|------------------|-------------------------|
| 10D         | 10.0              | 500      | BOX              | 1000                    |

## Metal Oxide Varistors - 10D Series

### Package Dimensions

Unit:mm



**TABLE 1**

| Symbol   | Dimensions |
|----------|------------|
| H(max.)  | 12.0       |
| H1(max.) | 13.5       |
| L(min.)  | 20.0       |
| L1(min.) | 15.0       |
| D(max.)  | 9.0        |
| D1(±0.8) | 5.0        |
| T(max.)  | TABLE 2    |
| d(±0.05) | 0.6        |
| d1(±0.4) | 1.2        |

**TABLE 2**

| Model | T(max.) | Model | T(max.) |
|-------|---------|-------|---------|
| 180K  | 4.5     | 221K  | 4.5     |
| 220K  | 4.6     | 241K  | 4.6     |
| 270K  | 4.7     | 271K  | 4.9     |
| 330K  | 4.9     | 301K  | 5.0     |
| 390K  | 4.8     | 331K  | 5.1     |
| 470K  | 4.9     | 361K  | 5.2     |
| 560K  | 5.0     | 391K  | 5.4     |
| 680K  | 5.2     | 431K  | 5.7     |
| 820K  | 4.1     | 471K  | 6.0     |
| 101K  | 4.3     | 511K  | 6.2     |
| 121K  | 4.5     | 561K  | 6.5     |
| 151K  | 4.8     | 621K  | 6.4     |
| 181K  | 4.3     | 681K  | 6.5     |
| 201K  | 4.4     | 751K  | 6.5     |

### Warehouse Storage Conditions of Products

- Storage Conditions:
  1. Storage Temperature: -10°C~+40°C
  2. Relative Humidity: ≤75%RH
  3. Keep away from corrosive atmosphere and sunlight.
- Period of Storage: 1 year

## RuiLongYuan Electronics Co., Ltd.

---

- Reproducing and modifying information of the document is prohibited without permission from Ruilongyuan International Inc.
- Ruilongyuan International Inc. reserves the rights to make changes of the content herein the document anytime without notification. Please refer to our website for the latest document.
- Ruilongyuan International Inc. disclaims any and all liability arising out of the application or use of any product including damages incidentally and consequentially occurred.
- Ruilongyuan International Inc. does not assume any and all implied warranties, including warranties of fitness for particular purpose, non-infringement and merchantability.
- Applications shown on the herein document are examples of standard use and operation. Customers are responsible in comprehending the suitable use in particular applications. Ruilongyuan International Inc. makes no representation or warranty that such applications will be suitable for the specified use without further testing or modification.
- The products shown herein are not designed and authorized for equipments requiring high level of reliability or relating to human life and for any applications concerning life-saving or life-sustaining, such as medical instruments, transportation equipment, aerospace machinery et cetera. Customers using or selling these products for use in such applications do so at their own risk and agree to fully indemnify Ruilongyuan International Inc. for any damages resulting from such improper use or sale.

---

**Tel: +86-755-8290 8296**

**Fax: +86-755-8290 8002**

**E-mail: [jack@ruilon.com](mailto:jack@ruilon.com)**