



BNC Twinax Tee Adapter Jack-Plug-Jack

TECHNICAL DATA SHEET

PE9375

BNC Twinax Tee Adapter Jack-Plug-Jack

Configuration

Connector 1	BNC Twinax Jack
Impedance 1	78 Ohms
Connector 2	BNC Twinax Plug
Impedance 2	78 Ohms
Connector 3	BNC Twinax Jack
Adapter Design	Standard
Body Style	Straight
Maximum Operating Voltage, Volts	500
Dielectric Withstanding Voltage, Vrms	1,500

Mechanical Specifications

Temperature

Operating Range, deg C	-65 to +165
------------------------	-------------

Size

Length, in [mm]	1.28 [32.51]
Width/Dia., in [mm]	0.55 [13.97]
Height, in [mm]	1.03 [26.16]

Connector 1

Type	BNC Twinax Jack
Inner Conductor Material and Plating	Brass/Beryllium Copper, Gold
Inner Conductor Plating Specification	3µ in. minimum
Body Material and Plating	Brass, Nickel
Body Plating Specification	20µ-30µ in. minimum
Dielectric Type	Teflon

Connector 2

Type	BNC Twinax Plug
Inner Conductor Material and Plating	Brass/Beryllium Copper, Gold
Inner Conductor Plating Specification	3µ in. minimum
Coupling Nut Material and Plating	Brass, Nickel
Coupling Nut Plating Specification	20µ-30µ in. minimum
Body Material and Plating	Brass, Nickel
Body Plating Specification	20µ-30µ in. minimum
Dielectric Type	Teflon

Connector 3

Type	BNC Twinax Jack
Inner Conductor Material and Plating	Brass/Beryllium Copper, Gold
Inner Conductor Plating Specification	3µ in. minimum

Click the following link (or enter part number in "SEARCH" on website) to obtain additional part information including price, inventory and certifications: [BNC Twinax Tee Adapter Jack-Plug-Jack PE9375](#)

The information contained in this document is accurate to the best of our knowledge and representative of the part described herein. It may be necessary to make modifications to the part and/or the documentation of the part, in order to implement improvements. Pasternack reserves the right to make such changes as required. Unless otherwise stated, all specifications are nominal.





BNC Twinax Tee Adapter Jack-Plug-Jack

TECHNICAL DATA SHEET

PE9375

Coupling Nut Plating Specification	20 μ -30 μ in. minimum
Body Material and Plating	Brass, Nickel
Body Plating Specification	20 μ -30 μ in. minimum
Dielectric Type	Teflon

Compliance Certifications (visit www.Pasternack.com for current document)

RoHS Compliant	Yes
----------------	-----

Plotted and Other Data

Notes:	Values at 25 °C, sea level
--------	----------------------------

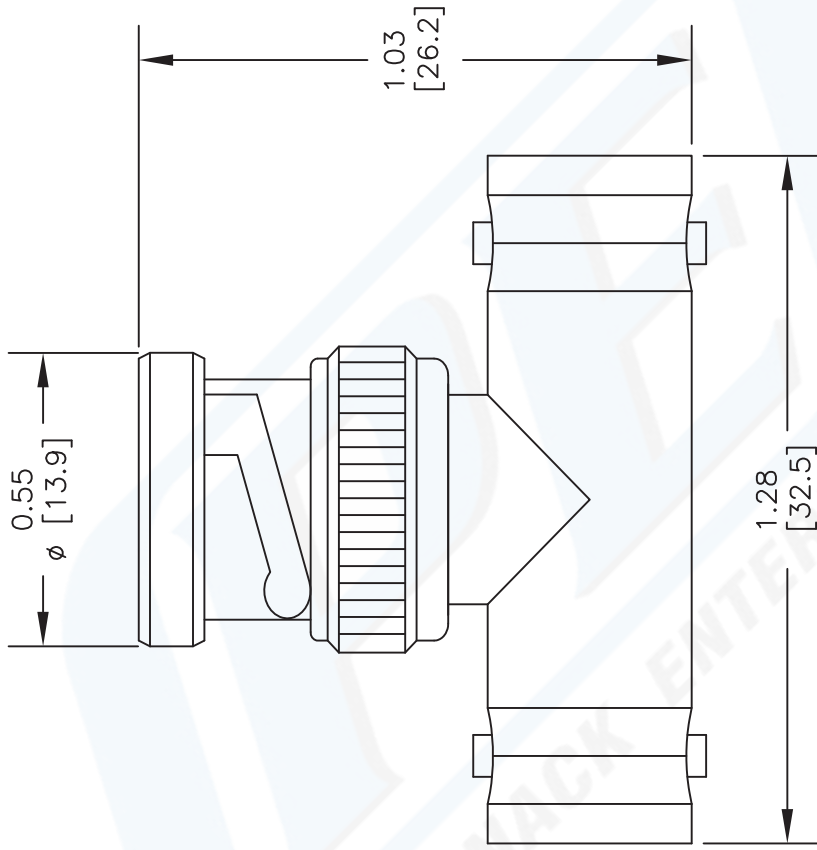
URL: <http://www.pasternack.com/bnc-twinax-jack-plug-jack-tee-adapter-pe9375-p.aspx>

BNC Twinax Tee Adapter Jack-Plug-Jack from Pasternack Enterprises has same day shipment for domestic and International orders. Our RF, microwave and fiber optic products maintain a 99% availability and are part of the broadest selection in the industry.

The information contained in this document is accurate to the best of our knowledge and representative of the part described herein. It may be necessary to make modifications to the part and/or the documentation of the part, in order to implement improvements. Pasternack reserves the right to make such changes as required. Unless otherwise stated, all specifications are nominal.

PE9375 CAD Drawing

BNC Twinax Tee Adapter Jack-Plug-Jack



DWG TITLE

PE9375

NOTES:
 1. UNLESS OTHERWISE SPECIFIED ALL DIMENSIONS ARE NOMINAL.
 2. ALL SPECIFICATIONS ARE SUBJECT TO CHANGE WITHOUT NOTICE AT ANY TIME.
 3. DIMENSIONS ARE IN INCHES [mm].

PASTERNAK ENTERPRISES, INC.
 P.O. BOX 16759, IRVINE, CA 92623
 PHONE (949) 261-1920 FAX (949) 261-7451
 WEB ADDRESS: www.pasternack.com
 E-MAIL ADDRESS: sales@pasternack.com
COAXIAL & FIBER OPTICS



2233

SIZE A

SCALE N/A

CAD FILE 082112

FSCM NO. 53919

REV. B