

# Switched and Fused Filtered Power Entry Modules For General Purpose Applications

## 64-65-BSF/64-65-SSF Series

### Features

- North American and Metric fuse holders available
- Fuse holder and double pole power ON/OFF switch provides a convenient/compact package
- Suitable for products that must conform to FCC and FTZ requirements
- Meets over voltage category II of IEC 664 and complies with IEC 950
- Metal case provides effective shielding
- Easy access fuse drawer
- Space for spare fuse
- Flange-mounted or snap-in styles available for quick mounting
- UL recognized, CSA certified
- TÜV approved (tested and found to be in accordance with VDE 0565 part 3)

### Applications

- Computers and peripheral equipment
- Electronic equipment
- Digital equipment
- Measuring and testing instruments
- Telecommunications equipment

### Specifications

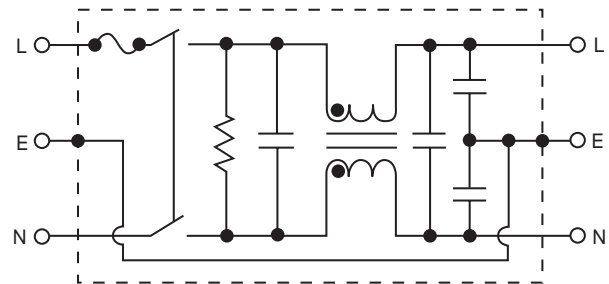
Part Number	Voltage Rating	Current Rating	Leakage Current (Max.)	Temperature Rise (Max.)	Operating Temperature
64-B(S)SF-020-3-**	250VAC	2A	0.35mA	45°C	-25°C to +85°C (including temperature rise) See Figure 1.
64-B(S)SF-020-5-**			0.50mA		
64-B(S)SF-040-3-**	250VAC	4A	0.35mA	45°C	
64-B(S)SF-040-5-**			0.50mA		
64-B(S)SF-060-3-**	250VAC	6A	0.35mA	45°C	
64-B(S)SF-060-5-**			0.50mA		
65-B(S)SF-020-3-**	125VAC	2A	0.35mA	45°C	
65-B(S)SF-020-5-**			0.50mA		
65-B(S)SF-040-3-**	125VAC	4A	0.35mA	45°C	
65-B(S)SF-040-5-**			0.50mA		
65-B(S)SF-060-3-**	125VAC	6A	0.35mA	45°C	
65-B(S)SF-060-5-**			0.50mA		

Note: Test Voltage 1500VAC one minute, line to ground  
 Insulation Resistance: 300 MΩ min. at 500VDC  
 Voltage Drop: 1V max. at rated current  
 Weight: 130g  
 Inlet: Compatible with IEC-320  
 B(S) = Bolt-in terminals or (Snap-in terminals)

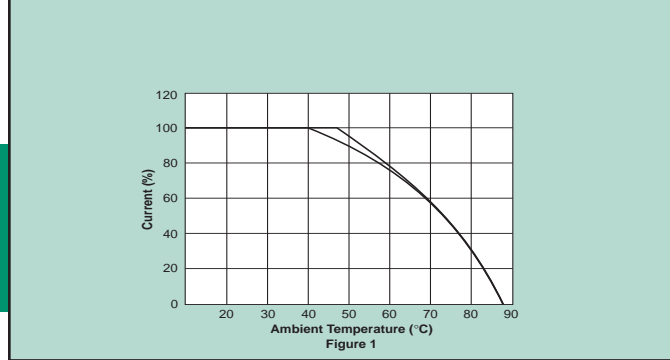
\*\* Capacitance Values:  
 - 02 = 0.10μF & 0.22μF    - 11 = 0.10μF (1 cap only)  
 - 04 = 2 X 0.22μF            - 12 = 0.22μF (1 cap only)  
 - 06 = 0.47μF & 0.22μF    - 14 = 0.47μF (1 cap only)



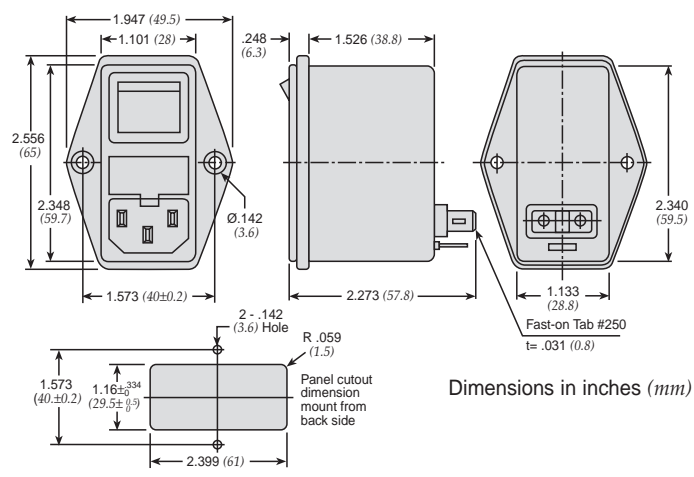
### Circuit Diagram



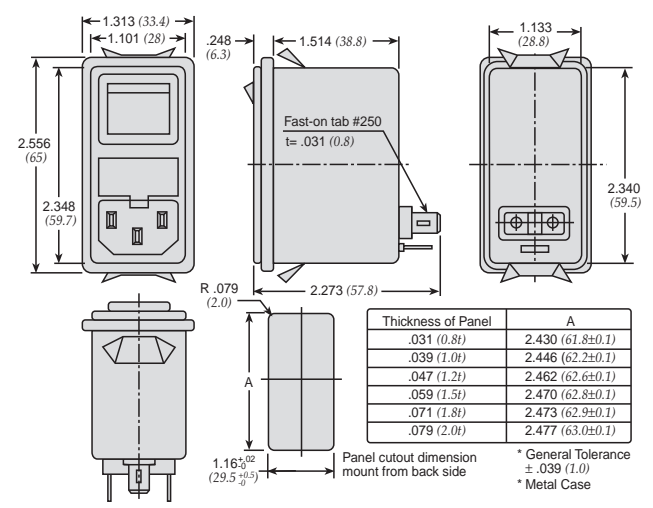
# Switched and Fused Filtered Power Entry Modules For General Purpose Applications



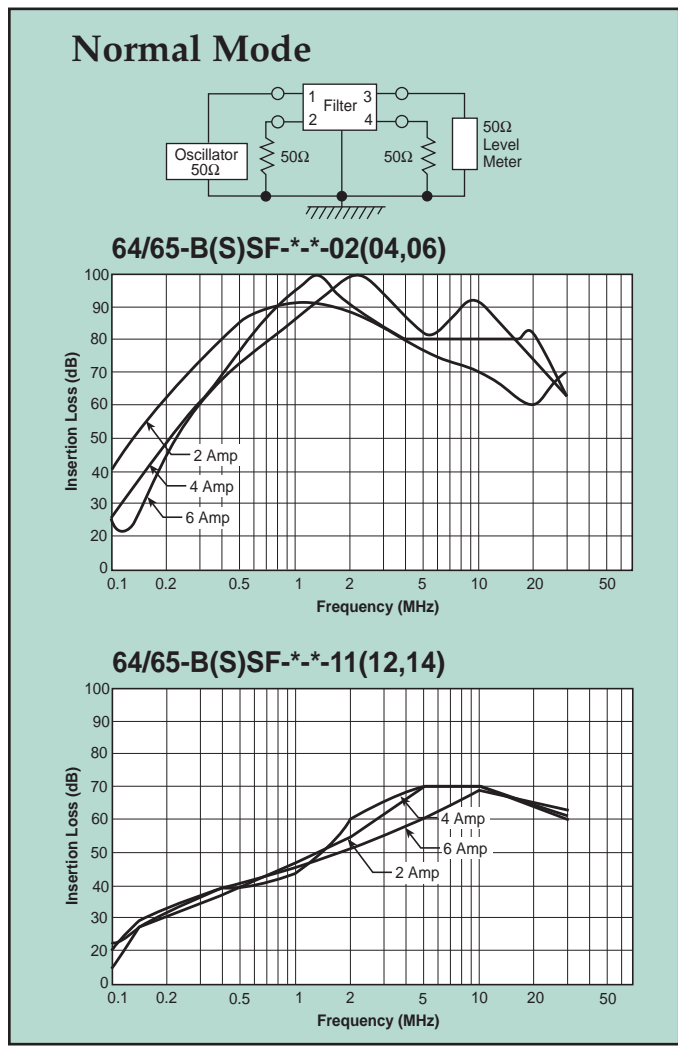
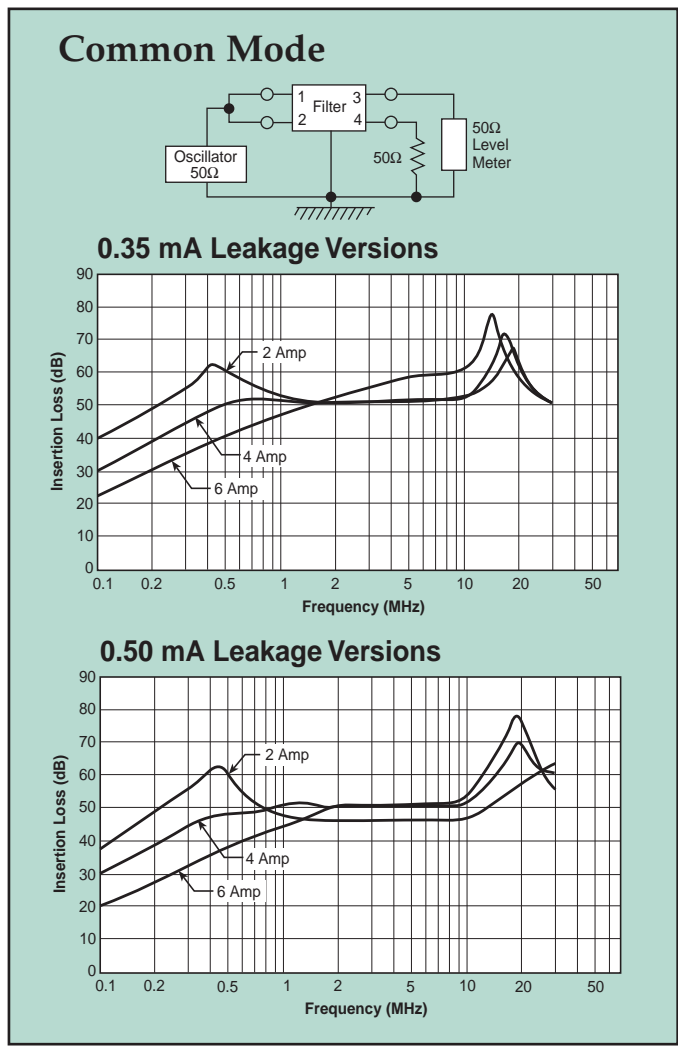
## Dimensions 64/65-BSF Series



## 64/65-SSF Series



Switched and Fused Filtered Power Entry Modules



# Switched and Fused Filtered Power Entry Modules

For Medical or General Purpose Applications



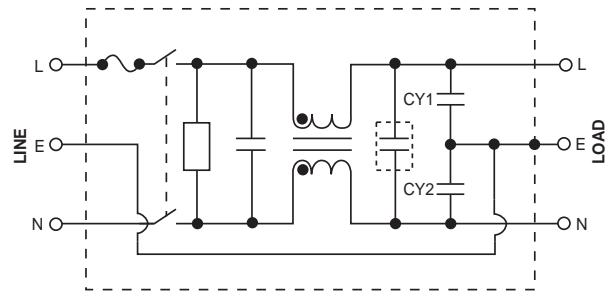
Switched and Fused Filtered Power Entry Modules

## 66-67-BSF/66-67-SSF Series

### Features

- Metric and North American fuse holders available
- Fuse holder and a double pole power ON/OFF switch provides a convenient/compact package
- Suitable for products that must conform to FCC and FTZ requirements
- Meets over voltage category II of IEC 664 and complies with IEC 950
- Provides susceptibility protection without the leakage current associated with line-to-ground capacitors
- Designed to meet requirements for non-patient and patient care equipment
- Metal case provides effective shielding
- Easy access fuse drawer
- Space for spare fuse
- Flange-mounted or snap-in styles available for quick mounting
- UL recognized, CSA certified
- TÜV approved (tested and found to be in accordance with VDE 0565 part 3)

### Circuit Diagram



Note: CY1 and CY2 capacitors omitted on 66/67 B(S)F-XXX-1-X Filters

### Applications

- Medical equipment
- Telecommunications equipment
- Digital equipment (including switching power supplies)
- Industrial equipment
- Measuring and testing instruments
- General purpose filter for susceptibility or high frequency "clean up" applications

### Specifications

Part Number	Voltage Rating	Current Rating	Leakage Current (Max.)	Temperature Rise (Max.)	Operating Temperature
66-B(S)SF-020-1-*	250VAC	2A	0.01mA	40°C	-25°C to +85°C (including temperature rise) See Figure 1.
66-B(S)SF-020-0-*			0.075mA		
66-B(S)SF-020-4-*			0.1mA		
66-B(S)SF-040-1-*	250VAC	4A	0.01mA	45°C	
66-B(S)SF-040-0-*			0.075mA		
66-B(S)SF-040-4-*			0.1mA		
66-B(S)SF-060-1-*	250VAC	6A	0.01mA	45°C	
66-B(S)SF-060-0-*			0.075mA		
66-B(S)SF-060-4-*			0.1mA		
67-B(S)SF-020-1-*	125VAC	2A	0.005mA	40°C	
67-B(S)SF-020-0-*			0.04mA		
67-B(S)SF-020-4-*			0.05mA		
67-B(S)SF-040-1-*	125VAC	4A	0.005mA	45°C	
67-B(S)SF-040-0-*			0.04mA		
67-B(S)SF-040-4-*			0.05mA		
67-B(S)SF-060-1-*	125VAC	6A	0.005mA	45°C	
67-B(S)SF-060-0-*			0.04mA		
67-B(S)SF-060-4-*			0.05mA		

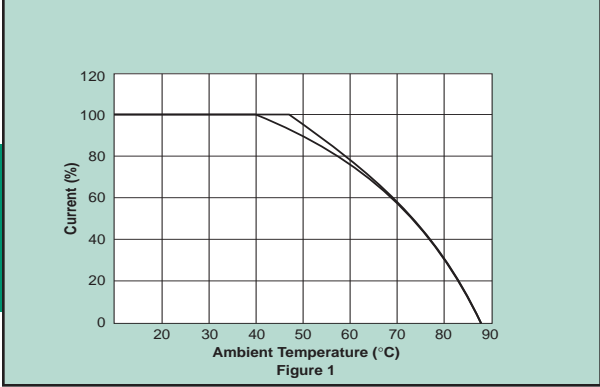
Note: Test Voltage: 1500VAC one minute, line to ground  
 Insulation Resistance: 300 MΩ min. at 500VDC  
 Voltage Drop: 1V max. at rated current  
 Weight: 130g  
 Inlet: Compatible with IEC-320  
 B(S) = Bolt-in terminals or (Snap-in terminals)

\* Capacitance Values:  
 - 02 = 0.10μF & 0.22μF    - 11 = 0.10μF (1 cap only)  
 - 04 = 2 X 0.22μF         - 12 = 0.22μF (1 cap only)  
 - 06 = 0.47μF & 0.22μF    - 14 = 0.47μF (1 cap only)

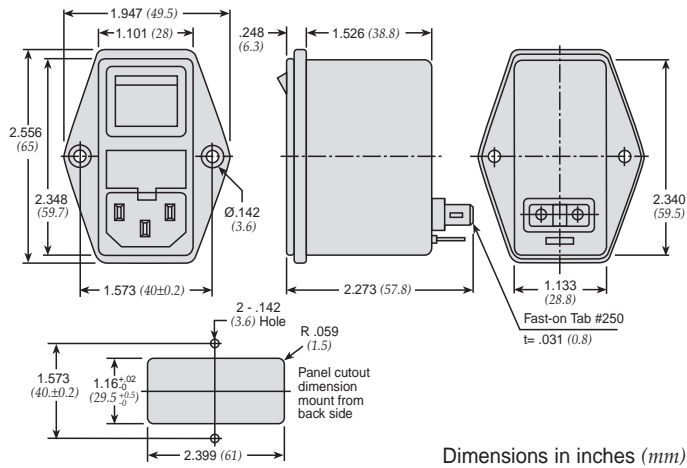


# Switched and Fused Filtered Power Entry Modules

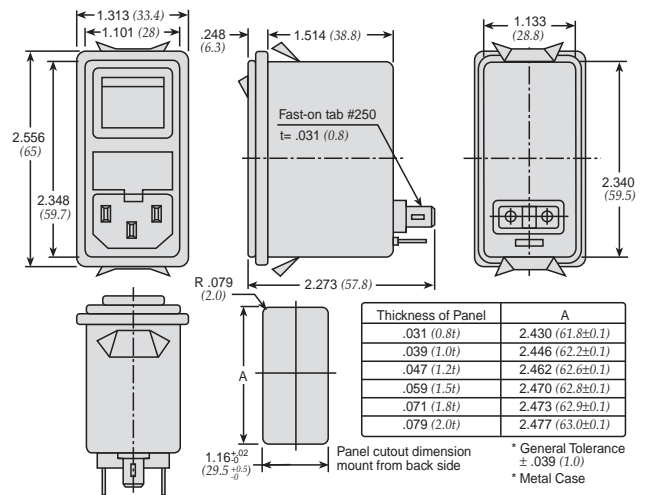
For Medical or General Purpose Applications



## Dimensions 66/67-BSF Series



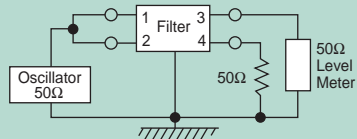
## 66/67-SSF Series



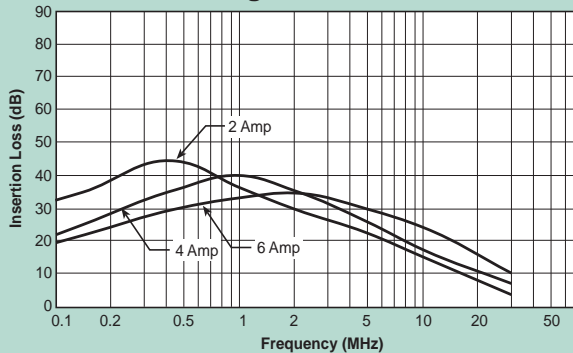
Switched and Fused Filtered Power Entry Modules



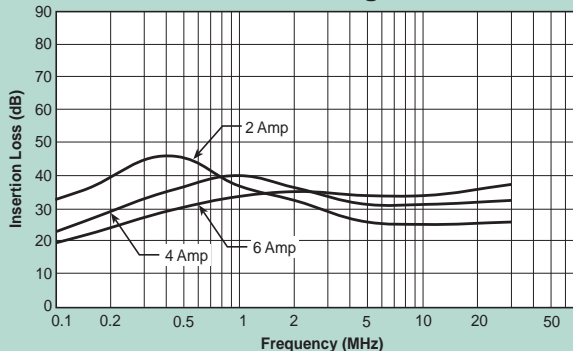
## Common Mode



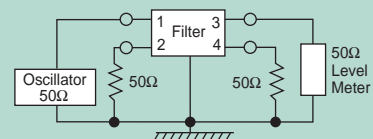
### 0.01 mA Leakage Current



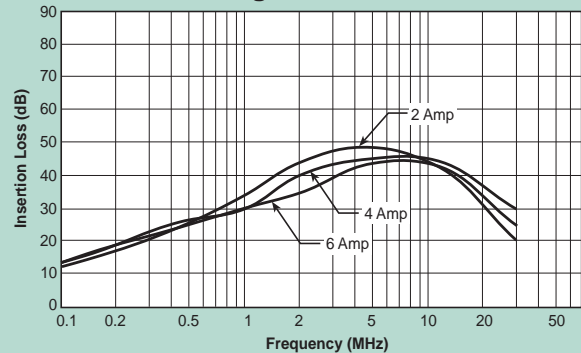
### 0.075 and 0.1 mA Leakage Current



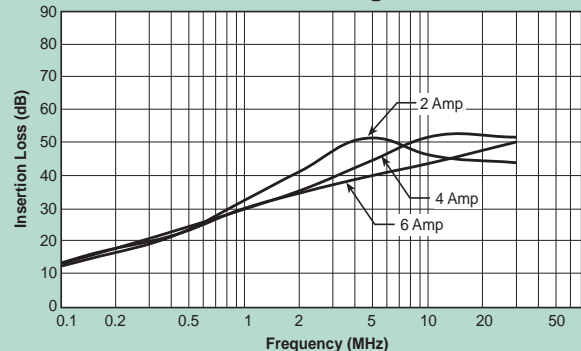
## Normal Mode



### 0.01 mA Leakage Current



### 0.075 and 0.1 mA Leakage Current



# Switched and Fused Filtered Power Entry Modules

## Dual Fuse for European Applications



### 68-BSF Series

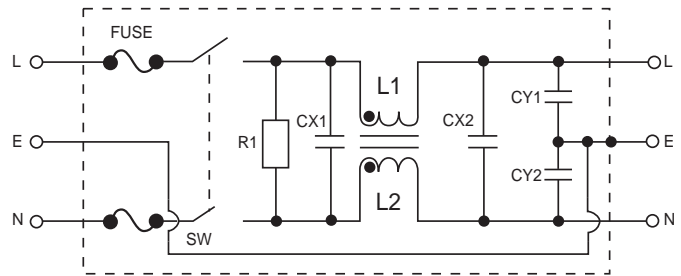
#### Features

- Dual fuse for European applications
- Fuse holder and double pole power ON/OFF switch provides a convenient/compact package
- Suitable for products that must conform to FCC and FTZ requirements
- Meets over voltage category II of IEC 664 and complies with IEC 950
- Metal case provides effective shielding
- IEC connector meets the safety standards of most certifying agencies
- Easy access fuse drawer
- Flange-mounted
- Safety agency approvals pending
- Designed to be in accordance with VDE 0565, part 3

#### Applications

- Computers and peripheral equipment
- Electronic equipment
- Digital equipment
- Measuring and testing instruments
- Telecommunications equipment

#### Circuit Diagram



#### Specifications

Part Number	Voltage Rating	Current Rating	Leakage Current (Max.)	Temperature Rise (Max.)	Operating Temperature
68-BSF-020-3-01	250VAC	2A	0.35mA	45°C	-25°C to +85°C (including temperature rise) See Figure 1.
68-BSF-020-3-04			0.35mA		
68-BSF-040-3-01	250VAC	4A	0.35mA	45°C	
68-BSF-040-3-04			0.35mA		
68-BSF-060-3-01	250VAC	6A	0.35mA	45°C	
68-BSF-060-3-04			0.35mA		

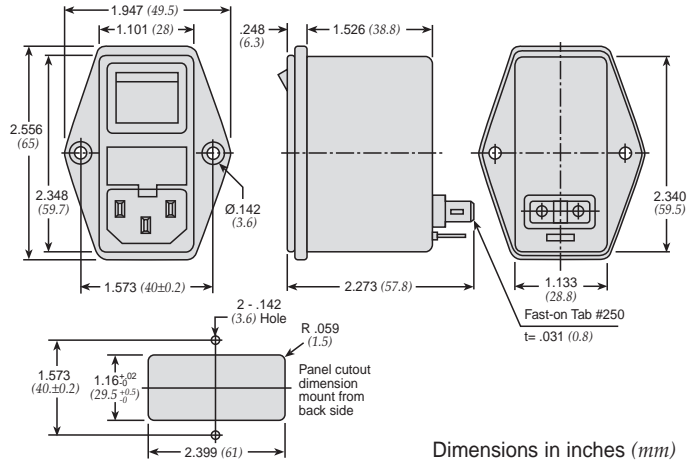
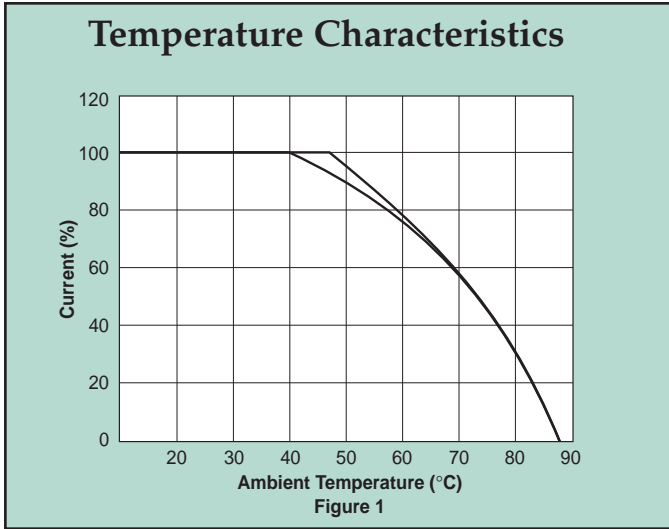
Note: Test Voltage 1500VAC one minute, line to ground  
 Insulation Resistance: 300 MΩ min. at 500VDC  
 Voltage Drop: 1V max. at rated current  
 Weight: 130g  
 Inlet: Compatible with IEC-320  
 B(S) = Bolt-in terminals or (Snap-in terminals)

Capacitance Values:  
 - 01 = 2 x 0.10μF  
 - 04 = 2 X 0.22μF

# Switched and Fused Filtered Power Entry Modules

## Dual Fuse for European Applications

### 68-BSF Series



Switched and Fused Filtered Power Entry Modules

