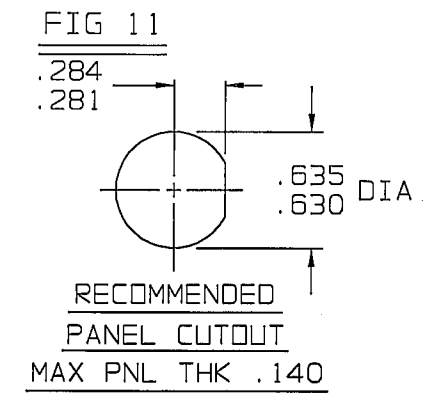
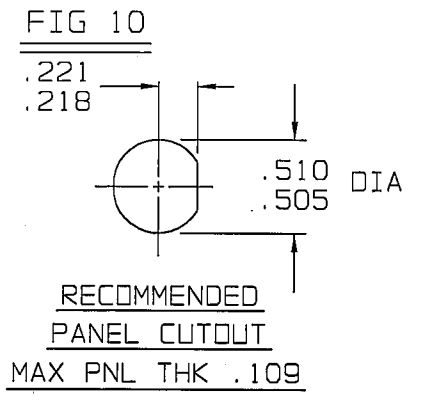
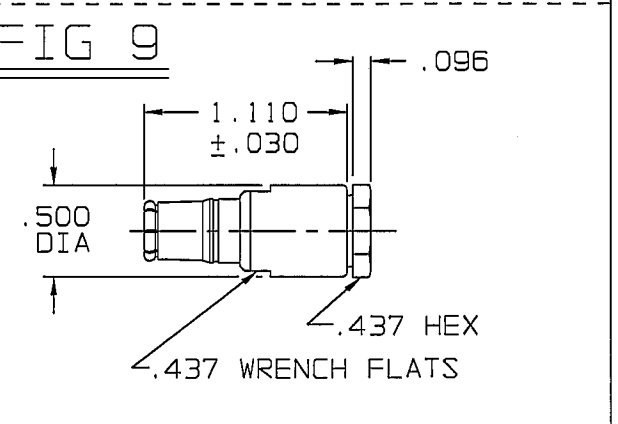
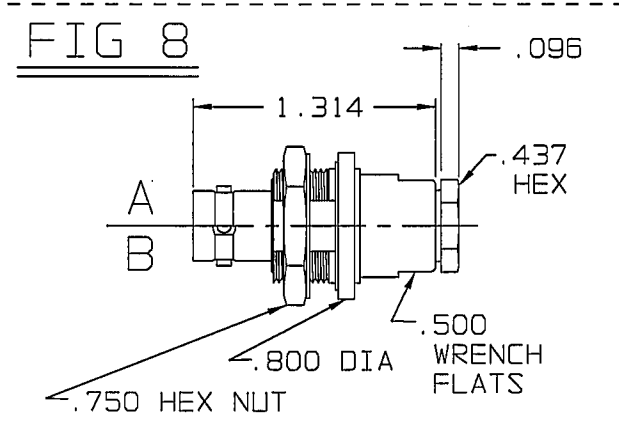
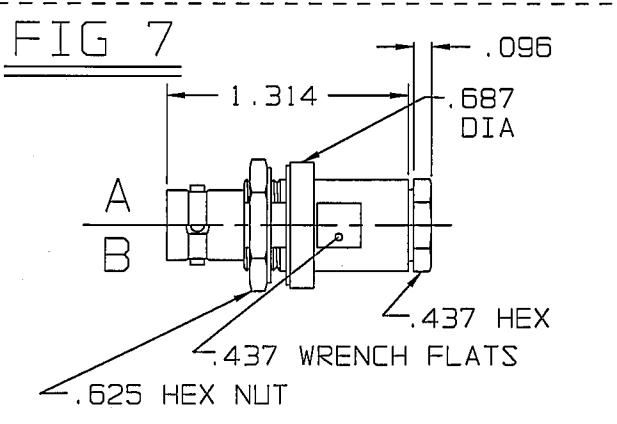
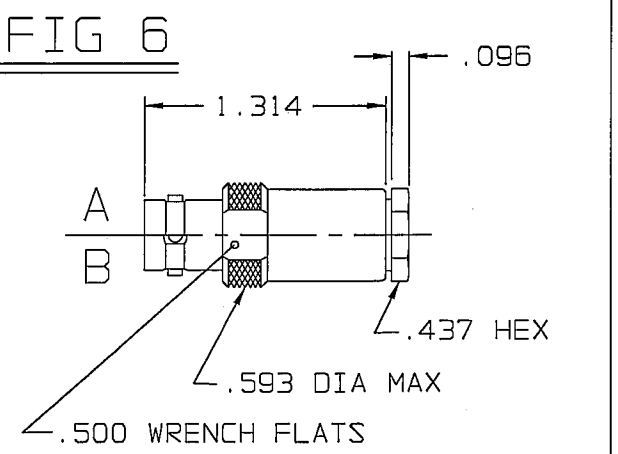
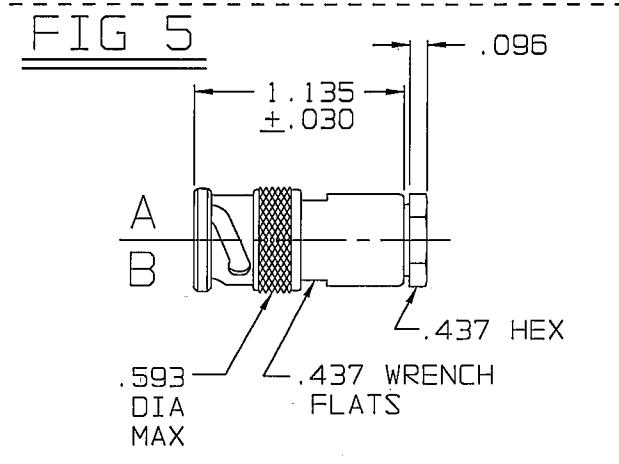
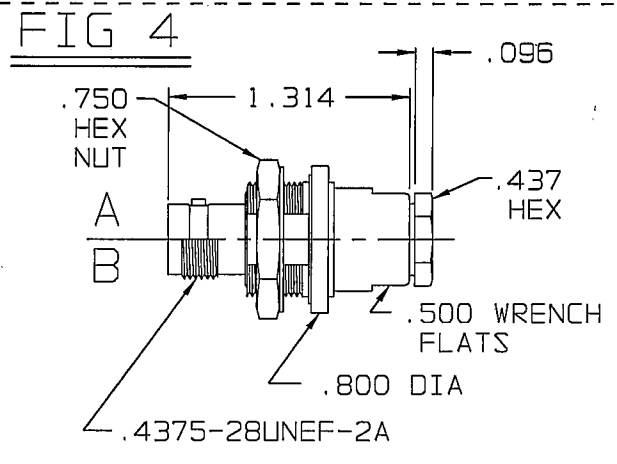
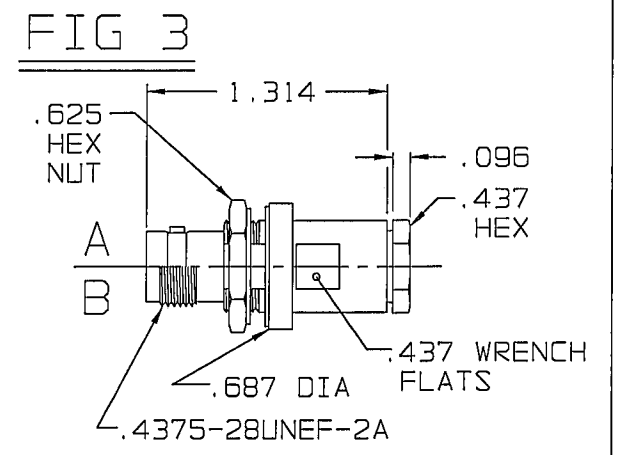
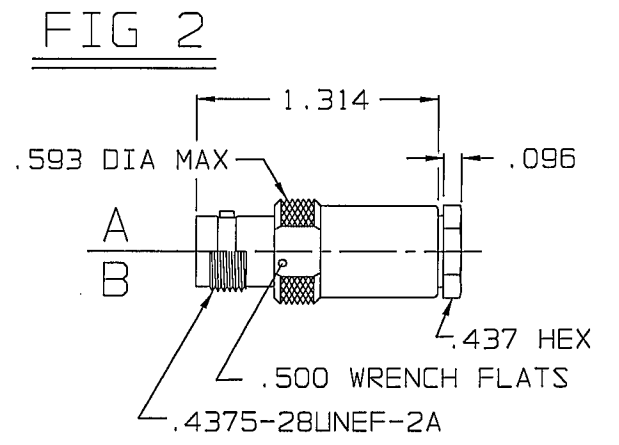
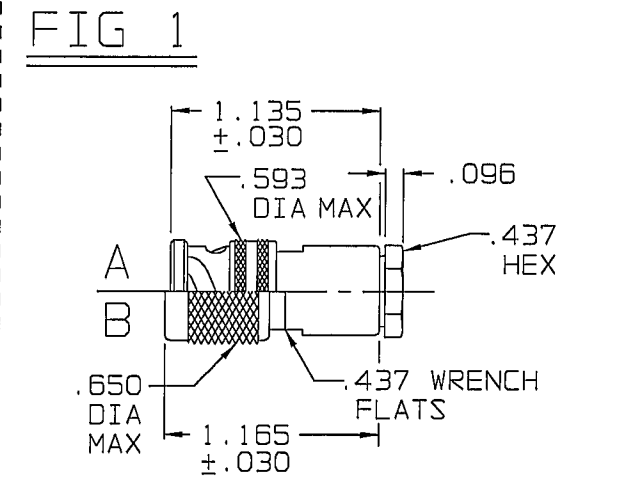


DATA CONTAINED IN THIS DOCUMENT IS PROPRIETARY TO TROMPETER ELECTRONICS INC. AND SHALL NOT BE DISCLOSED, COPIED OR USED FOR PROCUREMENT OR MANUFACTURE WITHOUT EXPRESS WRITTEN PERMISSION OF TROMPETER ELECTRONICS INC.

REVISIONS		305-1513	SH 1
REV	DESCRIPTION	DATE	APPROVED
B	REVISED PER ECD 14340	11-27-01	AM

# RED INDICATES ORIGINAL

DASH NO	CONNECTOR TYPE	MATERIAL <sup>4</sup>	ASSEMBLE PER	FIG	MTG HOLE FIG
-1	PL75	310-0002-32	TAI-189	1A	—
-2	CJ70	3-0043-32		2A	—
-3	BJ79	3-0018-32		3A	10
-4	BJ74	3-0055-32		4A	11
-5(S)	PL375(S)	315-0011-32		1B	—
-6(S)	CJ370(S)	3-0066-32		2B	—
-7(S)	BJ379(S)	3-0074-32		3B	10
-8(S)	BJ374(S)	3-0073-32		4B	11
-9	PL74	310-0025-32		5A	—
-10	CJ70TL	3-0217-32		6A	—
-11	BJ79TL	3-0112-32		7A	10
-12	BJ74TL	3-0105-32		8A	11
-13	PL75FL	310-0006-		5B	—
-14	CJ70FL	3-0101-32		6B	—
-15	BJ79FL	3-0052-32		7B	10
-16	BJ74FL	3-0099-32		8B	11
-17	PL73	310-0038-32		9	—



<sup>5</sup> EXAMPLE OF COMPLETE P/N:  
 305-1513-1 T S  
 BASIC CONNECTOR NO. TYPE DASH NO. | OPTIONAL SAFETY WIRE HOLE (-5 THRU -8 ONLY) | SEE NOTE <sup>6</sup>

- <sup>4</sup> REPLACE 8-1580-24 CLAMP NUT WITH 8-1580-21 CLAMP NUT
3. CONCENTRIC TWINAX/TRIAX, 2-LUG, 3-LUG, 4-LUG AND THREADED CABLE PLUGS/RECEPTACLES, INSULATED & NONINSULATED BULKHEAD MOUNT RECEPTACLES & PUSH-ON CABLE PLUGS FOR BOEING CABLE 443-50120-1
2. FINISH TFS-1A (NICKEL)
1. ALL DIM ARE IN INCHES

<sup>6</sup> POLARIZATION LETTER I.A.W MATERIAL CALL-OUT. NONE REQUIRED FOR STANDARD

INTERPRET DRAWING PER MIL-STD-100 DIMENSIONS ARE IN INCHES AND INCLUDE FINISH THICKNESS UNLESS OTHERWISE SPECIFIED	TOL: UNLESS SPECIFIED .XX .XXX ± .005 .XXXX ANGLES	<b>TROMPETER</b> ELECTRONICS, INC.	
DRAWN: AAH 11-14-01 CHECKED: [Signature] 11-15-01 QUALITY: [Signature] 11-21-01 HAND: [Signature] 11/15/01 APPROVED: [Signature] 11/19/01 CAD FILE NO. 305-1513B	MATERIAL: FINISH: SCALE: DO NOT SCALE DWG		TITLE: "70" SERIES 443-50120-1
NEXT ASSY	SIZE: A 14949	DRAWING NO. 305-1513	REV. B
	DATE: 10-11-01	SHEET 1 OF 1	