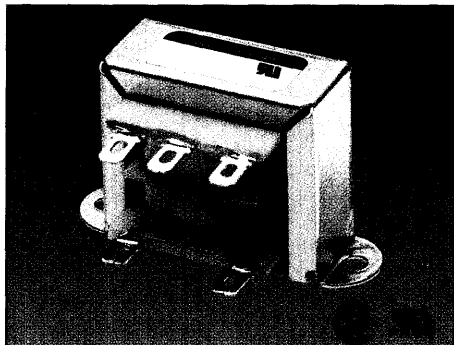


Two-4-One™ Power Transformers Chassis Mount

BUY DIRECT



Split Bobbin with High Isolation



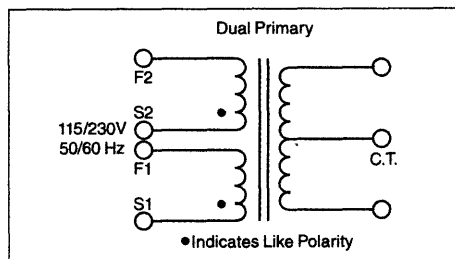
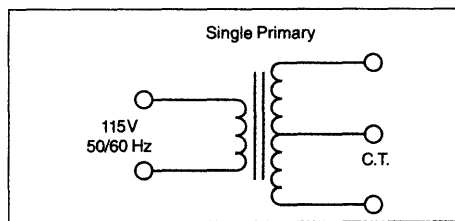
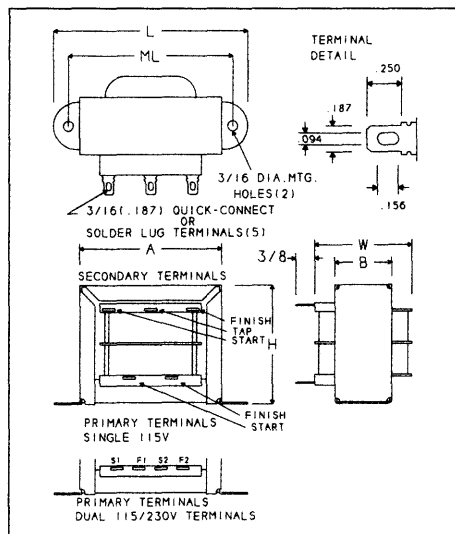
Signal's 241 transformers use a split bobbin that provides superior isolation and low capacitive coupling.

General Specifications

- Power – 2.4 VA to 100 VA
- Dielectric Strength – 2500VRMS Hipot
- Primaries – Single or dual primaries (115V or 115/230V - 50/60 Hz)
- Secondary – Single center tapped secondary
- Electrostatic Shield – Not necessary, split bobbin construction
- Terminals – Solder lug / quick-connect type terminals
- Insulation – Class B insulation (130°C)

Agency Standards

- UL recognized to UL 506 (File #E63829)
- CSA certified to C22.2 #66 (File #LR 51265)



Part Number		Secondary RMS Rating	Part Number		Secondary RMS Rating
Single 115V	Dual 115/230V		Single 115V	Dual 115/230V	
241-3-10	Not Available	10VCT @ 0.25A	241-3-28	Not Available	28VCT @ 0.085A
241-4-10	DP-241-4-10	10VCT @ 0.60A	241-4-28	DP-241-4-28	28VCT @ 0.20A
241-5-10	DP-241-5-10	10VCT @ 1.2A	241-5-28	DP-241-5-28	28VCT @ 0.42A
241-6-10	DP-241-6-10	10VCT @ 3.0A	241-6-28	DP-241-6-28	28VCT @ 1.1A
241-7-10	DP-241-7-10	10VCT @ 5.0A	241-7-28	DP-241-7-28	28VCT @ 2.0A
241-8-10	DP-241-8-10	10VCT @ 10A	241-8-28	DP-241-8-28	28VCT @ 3.6A
241-3-12	Not Available	12.6VCT @ 0.20A	241-3-36	Not Available	36VCT @ 0.065A
241-4-12	DP-241-4-12	12.6VCT @ 0.50A	241-4-36	DP-241-4-36	36VCT @ 0.17A
241-5-12	DP-241-5-12	12.6VCT @ 1.0A	241-5-36	DP-241-5-36	36VCT @ 0.35A
241-6-12	DP-241-6-12	12.6VCT @ 2.5A	241-6-36	DP-241-6-36	36VCT @ 0.85A
241-7-12	DP-241-7-12	12.6VCT @ 4.0A	241-7-36	DP-241-7-36	36VCT @ 1.5A
241-8-12	DP-241-8-12	12.6VCT @ 8.0A	241-8-36	DP-241-8-36	36VCT @ 2.8A
241-3-16	Not Available	16VCT @ 0.15A	241-3-48	Not Available	48VCT @ 0.05A
241-4-16	DP-241-4-16	16VCT @ 0.40A	241-4-48	DP-241-4-48	48VCT @ 0.125A
241-5-16	DP-241-5-16	16VCT @ 0.80A	241-5-48	DP-241-5-48	48VCT @ 0.25A
241-6-16	DP-241-6-16	16VCT @ 2.0A	241-6-48	DP-241-6-48	48VCT @ 0.63A
241-7-16	DP-241-7-16	16VCT @ 3.5A	241-7-48	DP-241-7-48	48VCT @ 1.2A
241-8-16	DP-241-8-16	16VCT @ 6.25A	241-8-48	DP-241-8-48	48VCT @ 2.0A
241-3-20	Not Available	20VCT @ 0.12A	241-3-56	Not Available	56VCT @ 0.045A
241-4-20	DP-241-4-20	20VCT @ 0.30A	241-4-56	DP-241-4-56	56VCT @ 0.11A
241-5-20	DP-241-5-20	20VCT @ 0.60A	241-5-56	DP-241-5-56	56VCT @ 0.22A
241-6-20	DP-241-6-20	20VCT @ 1.5A	241-6-56	DP-241-6-56	56VCT @ 0.54A
241-7-20	DP-241-7-20	20VCT @ 2.8A	241-7-56	DP-241-7-56	56VCT @ 1.00A
241-8-20	DP-241-8-20	20VCT @ 5.0A	241-8-56	DP-241-8-56	56VCT @ 1.8A
241-3-24	Not Available	24VCT @ 0.10A	241-3-120	Not Available	120VCT @ 0.02A
241-4-24	DP-241-4-24	24VCT @ 0.25A	241-4-120	DP-241-4-120	120VCT @ 0.05A
241-5-24	DP-241-5-24	24VCT @ 0.50A	241-5-120	DP-241-5-120	120VCT @ 0.10A
241-6-24	DP-241-6-24	24VCT @ 1.25A	241-6-120	DP-241-6-120	120VCT @ 0.25A
241-7-24	DP-241-7-24	24VCT @ 2.4A	241-7-120	DP-241-7-120	120VCT @ 0.50A
241-8-24	DP-241-8-24	24VCT @ 4.0A	241-8-120	DP-241-8-120	120VCT @ 0.85A

See page 38 for method of determining RMS secondary current ratings.

Dimensions								
Size	VA	L	W	H	A	B	ML	Wgt
3	2.4	2.06" 52.3mm	1.06" 26.9mm	1.18" 30.1mm	1.62" 41.3mm	0.56" 14.3mm	1.75" 44.5mm	0.25 lbs 0.11 kg
4	6	2.37" 60.3mm	1.25" 31.8mm	1.37" 34.9mm	1.68" 42.8mm	0.68" 17.4mm	2.00" 50.8mm	0.44 lbs 0.20 kg
5	12	2.81" 71.4mm	1.37" 34.9mm	1.62" 41.3mm	1.93" 49.2mm	0.81" 20.6mm	2.37" 60.3mm	0.7 lbs 0.32 kg
6	30	3.25" 82.6mm	1.68" 42.8mm	1.93" 49.2mm	2.31" 58.7mm	1.06" 26.9mm	2.81" 71.4mm	1.1 lbs 0.50 kg
7	56	3.68" 93.7mm	1.81" 46.0mm	2.25" 57.2mm	2.68" 68.2mm	1.06" 26.9mm	3.12" 79.4mm	1.7 lbs 0.77 kg
8	100	4.03" 102.4mm	2.25" 57.2mm	2.56" 65.1mm	3.06" 77.7mm	1.31" 33.3mm	3.50" 90.5mm	2.75 lbs 1.25 kg

If you don't see a specific part that meets your requirement, see page 31 for our custom magnetics design data sheet.

Signal Transformer

CALL: 516-239-5777 • FAX: (24hrs) 516-239-7208
500 Bayview Avenue, Inwood, New York 11096