



Winstar Display Co., LTD

華凌光電股份有限公司



住址: 407 台中市中清路 163 號
No. 163 Chung Ching RD.,
Taichune, Taiwan, R.O.C


WEB: <http://www.winstar.com.tw>
E-mail: winstar@winstar.com.tw
Tel: 886-4-24262208 Fax: 886-4-24262207

SPECIFICATION

CUSTOMER : ATLAS ELECTRONIC

MODULE NO.: WG12864A-YYH-V

| | |
|--|--|
| <p style="text-align: center; font-size: 1.2em;">APPROVED BY:</p> <p style="text-align: center;">(FOR CUSTOMER USE ONLY)</p> | |
|--|--|

| SALES BY | APPROVED BY | CHECKED BY | PREPARED BY |
|---|-------------|------------|-------------|
|  <p>Санкт-Петербург +7 (812)325-08-56 +7 (812)325-08-57</p> | | | |
| ISSUED DATE: | | | |

Contents

- 1.Module Classification Information
- 2.Precautions in use of LCD Modules
- 3.General Specification
- 4.Absolute Maximum Ratings
- 5.Electrical Characteristics
- 6.Optical Characteristics
- 7.Interface Description
- 8.Contour Drawing & Block Diagram
9. Timing Characteristics
- 10.Display Control Instruction
- 11.Detailed Explanation
- 12.Quality Assurance
- 13.Reliability
- 14.Backlight Information

1.Module Classification Information

W G 1 2 8 6 4 A—Y Y H— V
 • , *f* " ... † ‡ ^

- Brand : WINSTAR DISPLAY CORPORATION
- , Display Type : H→Character Type, G→Graphic Type
- f* Display Font : 128 x 64 dots
- " Model serials no.
- ... Backlight Type :

| | |
|---------------------|---------------|
| N→Without backlight | A→LED, Amber |
| B→EL, Blue green | R→LED, Red |
| D→EL, Green | O→LED, Orange |
| W→EL, White | G→LED, Green |
| F→CCFL, White | |
| Y→LED, Yellow Green | |
- † LCD Mode :

| | |
|------------------------------|-----------------|
| B→TN Positive, Gray | T→FSTN Negative |
| N→TN Negative, | |
| G→STN Positive, Gray | |
| Y→STN Positive, Yellow Green | |
| M→STN Negative, Blue | |
| F→FSTN Positive | |
- ‡ LCD Polarize Type/ Temperature range/ View direction

| | |
|----------------------------|----------------------------|
| A→Reflective, N.T, 6:00 | H→Transflective, W.T,6:00 |
| D→Reflective, N.T, 12:00 | K→Transflective, W.T,12:00 |
| G→Reflective, W. T, 6:00 | C→Transmissive, N.T,6:00 |
| J→Reflective, W. T, 12:00 | F→Transmissive, N.T,12:00 |
| B→Transflective, N.T,6:00 | I→Transmissive, W. T, 6:00 |
| E→Transflective, N.T,12:00 | L→Transmissive, W.T,12:00 |
- ^ Special Code

| |
|---------------------------------|
| V : Build in Negative Voltage ; |
|---------------------------------|

2. Precautions in use of LCD Modules

- (1) Avoid applying excessive shocks to the module or making any alterations or modifications to it.
- (2) Don't make extra holes on the printed circuit board, modify its shape or change the components of LCD module.
- (3) Don't disassemble the LCM.
- (4) Don't operate it above the absolute maximum rating.
- (5) Don't drop, bend or twist LCM.
- (6) Soldering: only to the I/O terminals.
- (7) Storage: please storage in anti-static electricity container and clean environment.

3. General Specification

| Item | Dimension | Unit |
|----------------------|--|-------------|
| Number of Characters | 128 x 64 dots | — |
| Module dimension | 93 x 70.0 x 13.6(MAX) | mm |
| View area | 72.0 x 40.0 | mm |
| Active area | 66.52 x 33.24 | mm |
| Dot size | 0.48 x 0.48 | mm |
| Dot pitch | 0.52 x 0.52 | mm |
| LCD type | STN, Positive, Transflective, Yellow Green | |
| Duty | 1/64 | |
| View direction | 6 o'clock | |
| Backlight Type | LED Yellow Green | |

4. Absolute Maximum Ratings

| Item | Symbol | Min | Typ | Max | Unit |
|--------------------------|------------------|-----|-----|----------|------|
| Operating Temperature | T_{OP} | -20 | — | +70 | °C |
| Storage Temperature | T_{ST} | -30 | — | +80 | °C |
| Input Voltage | V_I | 0 | — | V_{DD} | V |
| Supply Voltage For Logic | V_{DD} | 0 | — | 6.7 | V |
| Supply Voltage For LCD | $V_{DD}-V_{SS}$ | 0 | — | 16.7 | V |
| Supply Voltage For LCD | $V_{DD}-V_{OUT}$ | — | — | -10 | V |

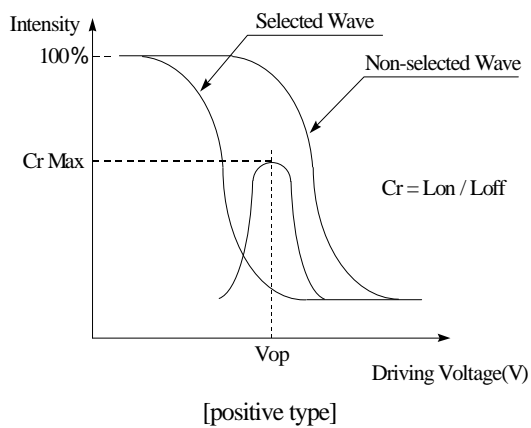
5. Electrical Characteristics

| Item | Symbol | Condition | Min | Typ | Max | Unit |
|--------------------------|-----------------|---------------------------|-------------|-----|-------------|------|
| Supply Voltage For Logic | $V_{DD}-V_{SS}$ | — | 4.5 | 5.0 | 5.5 | V |
| Supply Voltage For LCD | $V_{DD}-V_0$ | $T_a=-20^{\circ}\text{C}$ | — | — | 10.6 | V |
| | | $T_a=25^{\circ}\text{C}$ | — | 9.1 | — | V |
| | | $T_a=+70^{\circ}\text{C}$ | 7.6 | — | — | V |
| Input High Volt. | V_{IH} | — | $0.7V_{DD}$ | — | V_{DD} | V |
| Input Low Volt. | V_{IL} | — | 0 | — | $0.3V_{DD}$ | V |
| Output High Volt. | V_{OH} | — | 2.4 | — | — | V |
| Output Low Volt. | V_{OL} | — | — | — | 0.4 | V |
| Supply Current | I_{DD} | — | — | 5 | 7.5 | mA |

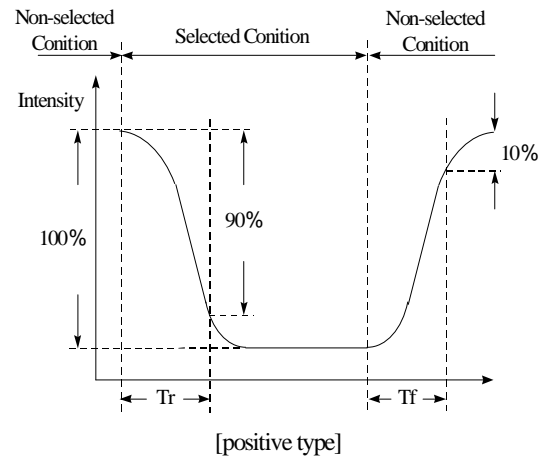
6. Optical Characteristics

| Item | Symbol | Condition | Min | Typ | Max | Unit |
|----------------|---------------|-------------|-----|-----|-----|------|
| View Angle | (V) θ | $CR \geq 2$ | 10 | — | 105 | deg |
| | (H) φ | $CR \geq 2$ | -30 | — | 30 | deg |
| Contrast Ratio | CR | — | — | 3 | — | — |
| Response Time | T rise | — | — | 200 | 300 | ms |
| | T fall | — | — | 200 | 300 | ms |

Definition of Operation Voltage (Vop)



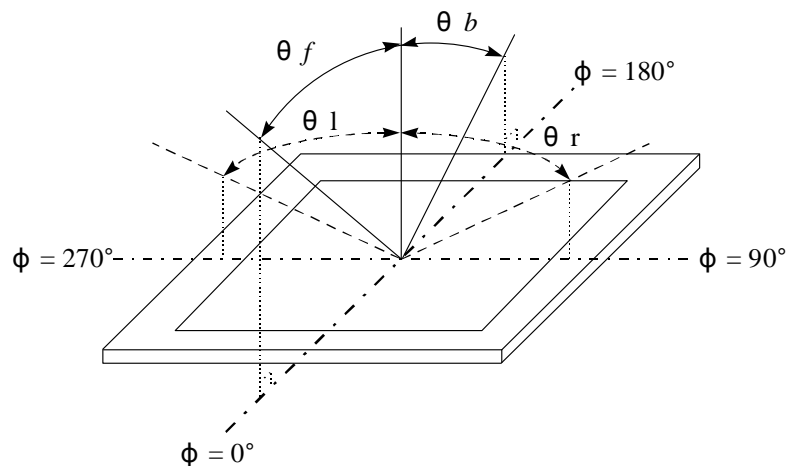
Definition of Response Time (Tr, Tf)



Conditions :

Operating Voltage : Vop Viewing Angle(θ , φ) : 0° , 0°
 Frame Frequency : 64 HZ Driving Waveform : 1/N duty , 1/a bias

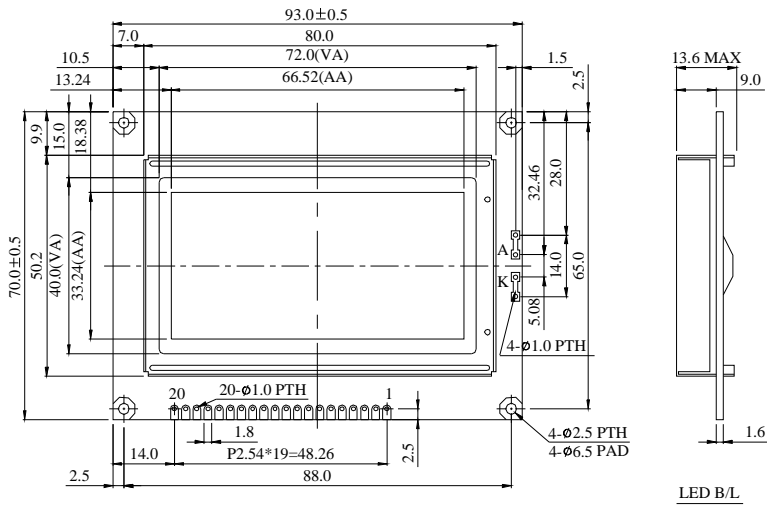
Definition of viewing angle($CR \geq 2$)



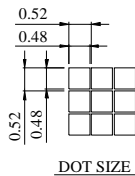
7. Interface Description

| Pin No. | Symbol | Level | Description |
|---------|-----------------|------------|--|
| 1 | V _{SS} | 0V | Ground |
| 2 | V _{DD} | 5.0V | Supply voltage for logic |
| 3 | V _O | (Variable) | Operating voltage for LCD |
| 4 | D/I | H/L | H: Data , L : Instruction |
| 5 | R/W | H/L | H: Read (MPU←Module) , L: Write (MPU→Module) |
| 6 | E | H | Enable signal |
| 7 | DB0 | H/L | Data bit 0 |
| 8 | DB1 | H/L | Data bit 1 |
| 9 | DB2 | H/L | Data bit 2 |
| 10 | DB3 | H/L | Data bit 3 |
| 11 | DB4 | H/L | Data bit 4 |
| 12 | DB5 | H/L | Data bit 5 |
| 13 | DB6 | H/L | Data bit 6 |
| 14 | DB7 | H/L | Data bit 7 |
| 15 | CS1 | H | Select Column 1~ Column 64 |
| 16 | CS2 | H | Select Column 65~ Column 128 |
| 17 | RST | L | Reset signal |
| 18 | Vout | — | Negative Voltage |
| 19 | A | — | Power Supply for LED backlight (+) |
| 20 | K | — | Power Supply for LED backlight (-) |

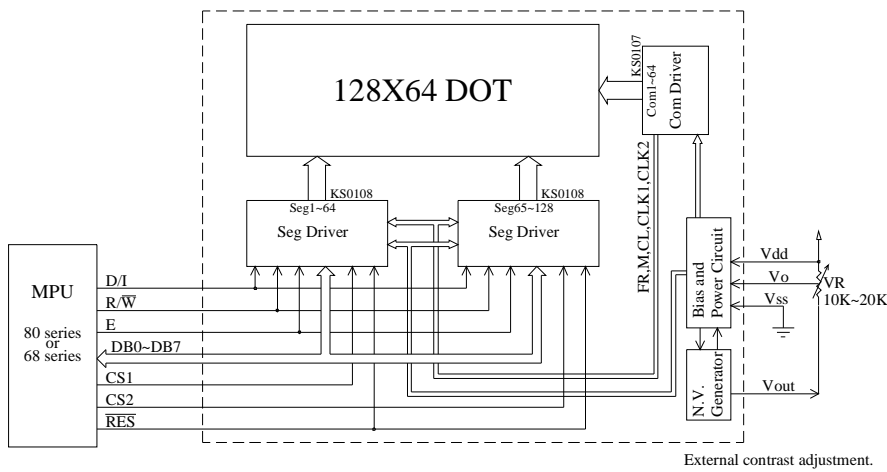
8. Contour Drawing & Block Diagram



| PIN NO. | SYMBOL |
|---------|--------|
| 1 | Vss |
| 2 | Vdd |
| 3 | Vo |
| 4 | D/I |
| 5 | R/W |
| 6 | E |
| 7 | DB0 |
| 8 | DB1 |
| 9 | DB2 |
| 10 | DB3 |
| 11 | DB4 |
| 12 | DB5 |
| 13 | DB6 |
| 14 | DB7 |
| 15 | CS1 |
| 16 | CS2 |
| 17 | RES |
| 18 | Vout |
| 19 | A |
| 20 | K |

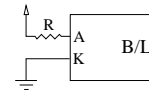


The non-specified tolerance of dimension is $\pm 0.3\text{mm}$.

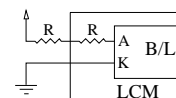


LED B/L Drive Method

1. Drive from A, K

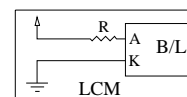


2. Drive from pin19, pin20



(Will never get Vee output from pin19)

3. Drive from Vdd, Vss



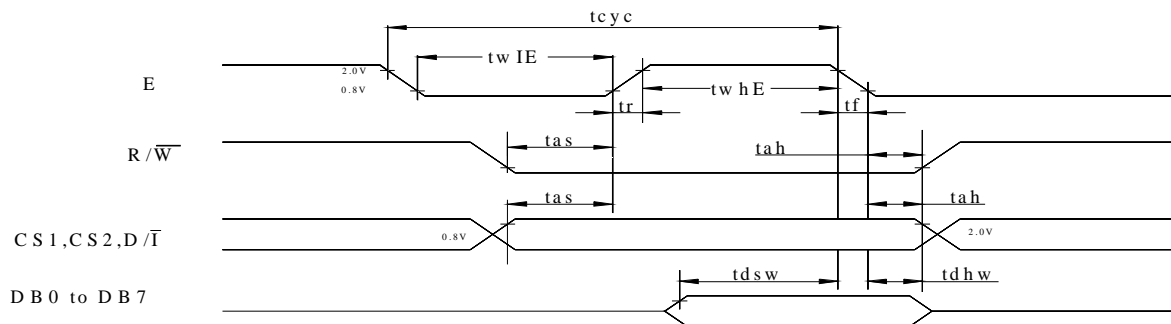
(Contrast performance may go down.)

9. Timing Characteristics

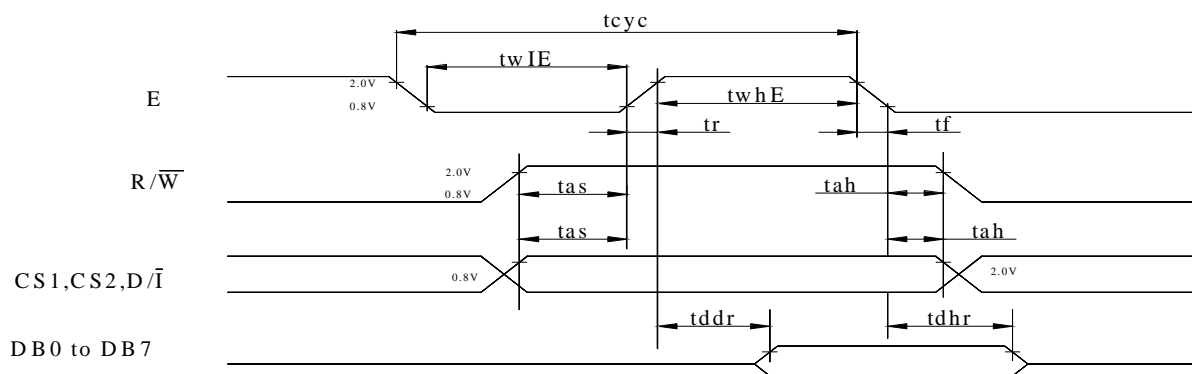
MPU Interface

(T=25°C, VDD=+5.0V±0.5)

| Characteristic | Symbol | Min | Typ | Max | Unit |
|------------------------|--------|------|-----|-----|------|
| E cycle | tcyc | 1000 | — | — | ns |
| E high level width | twhE | 450 | — | — | ns |
| E low level width | twlE | 450 | — | — | ns |
| E rise time | tr | — | — | 25 | ns |
| E fall time | tf | — | — | 25 | ns |
| Address set-up time | tas | 140 | — | — | ns |
| Address hold time | tah | 10 | — | — | ns |
| Data set-up time | tdsw | 200 | — | — | ns |
| Data delay time | tddr | — | — | 320 | ns |
| Data hold time (write) | tdhw | 10 | — | — | ns |
| Data hold time (read) | tdhr | 20 | — | — | ns |



MPU Write Timing



MPU Read Timing

10. Display Control Instruction

The display control instructions control the internal state of the KS0108B. Instruction is received from MPU to KS0108B for the display control. The following table shows various instructions

| Instruction | D/I | R/W | DB7 | DB6 | DB5 | DB4 | DB3 | DB2 | DB1 | DB0 | Function | |
|----------------------|-----|-----|------------------|-----|--------------------------|-----------------------|-----|-------------|-----|-----|---|--|
| Display ON/OFF | 0 | 0 | 0 | 0 | 1 | 1 | 1 | 1 | 1 | 0/1 | Controls the display on or off. Internal status and display RAM data are not affected. 0:OFF, 1:ON | |
| Set Address | 0 | 0 | 0 | 1 | Y address (0~63) | | | | | | Sets the Y address in the Y address counter. | |
| Set Page (X address) | 0 | 0 | 1 | 0 | 1 | 1 | 1 | Page (0 ~7) | | | Sets the X address at the X address register. | |
| Display Start Line | 0 | 0 | 1 | 1 | Display start line(0~63) | | | | | | Indicates the display data RAM displayed at the top of the screen. | |
| Status Read | 0 | 1 | B U S Y | 0 | O N/ O F F | R E S E T | 0 | 0 | 0 | 0 | Read status. BUSY 0:Ready 1:In operation ON/OFF 0:Display ON 1:Display OFF RESET 0:Normal 1:Reset | |
| Write Display Data | 1 | 0 | Display Data | | | | | | | | | Writes data (DB0:7) into display data RAM. After writing instruction, Y address is increased by 1 automatically. |
| Read Display Data | 1 | 1 | Display Data | | | | | | | | | Reads data (DB0:7) from display data RAM to the data bus. |

11. Detailed Explanation

Display On/Off

| R/W | D/I | DB7 | DB6 | DB5 | DB4 | DB3 | DB2 | DB1 | DB0 |
|-----|-----|-----|-----|-----|-----|-----|-----|-----|-----|
| 0 | 0 | 0 | 0 | 1 | 1 | 1 | 1 | 1 | D |

The display data appears when D is 1 and disappears when D is 0. Though the data is not on the screen with D = 0, it remains in the display data RAM. Therefore, you can make it appear by changing D = 0 into D = 1.

Display Start Line

| R/W | D/I | DB7 | DB6 | DB5 | DB4 | DB3 | DB2 | DB1 | DB0 |
|-----|-----|-----|-----|-----|-----|-----|-----|-----|-----|
| 0 | 0 | 1 | 1 | A | A | A | A | A | A |

Z address AAAAAA (binary) of the display data RAM is set in the display start line register and displayed at the top of the screen. Figure 2. shows examples of display (1/64 duty cycle) when the start line = 0-3. When the display duty cycle is 1/64 or more (ex. 1/32, 1/24 etc.), the data of total line number of LCD screen, from the line specified by display start line instruction, is displayed

Set Page (X Address)

| R/W | D/I | DB7 | DB6 | DB5 | DB4 | DB3 | DB2 | DB1 | DB0 |
|-----|-----|-----|-----|-----|-----|-----|-----|-----|-----|
| 0 | 0 | 1 | 0 | 1 | 1 | 1 | A | A | A |

X address AAA (binary) of the display data RAM is set in the X address register. After that, writing or reading to or from MPU is executed in this specified page until the next page is set. See Figure 1.

Set Y Address

| R/W | D/I | DB7 | DB6 | DB5 | DB4 | DB3 | DB2 | DB1 | DB0 |
|-----|-----|-----|-----|-----|-----|-----|-----|-----|-----|
| 0 | 0 | 0 | 1 | A | A | A | A | A | A |

Y address AAAAAA (binary) of the display data RAM is set in the Y address counter. After that, Y address counter is increased by 1 every time the data is written or read to or from MPU.

Status Read

| R/W | D/I | DB7 | DB6 | DB5 | DB4 | DB3 | DB2 | DB1 | DB0 |
|-----|-----|------|-----|--------|-------|-----|-----|-----|-----|
| 0 | 1 | Busy | 0 | On/Off | RESET | 0 | 0 | 0 | 0 |

Busy

When busy is 1, the LSI is executing internal operations. No instruction are accepted while busy is 1, so you should make sure that busy is 0 before writing the next instruction.

ON/OFF

Shows the liquid crystal display condition: on condition or off condition.

When on/off is 1, the display is in off condition.

When on/off is 0, the display is in on condition

RESET

RESET = 1 shows that the system is being initialized. In this condition, no instructions except status read can be accepted.

RESET = 0 shows that initializing has system is in the usual operation condition.

Write Display Data

| R/W | D/I | DB7 | DB6 | DB5 | DB4 | DB3 | DB2 | DB1 | DB0 |
|-----|-----|-----|-----|-----|-----|-----|-----|-----|-----|
| 0 | 0 | D | D | D | D | D | D | D | D |

Writes 8-bit data DDDDDDDD (binary) into the display data RAM. The Y address is increased by 1 automatically.

Read Display Data

| R/W | D/I | DB7 | DB6 | DB5 | DB4 | DB3 | DB2 | DB1 | DB0 |
|-----|-----|-----|-----|-----|-----|-----|-----|-----|-----|
| 1 | 1 | D | D | D | D | 1 | D | D | D |

Reads out 8-bit data DDDDDDDD (binary) from the display data RAM. Then Y address is increased by 1 automatically.

One dummy read is necessary right after the address setting. For details, refer to the

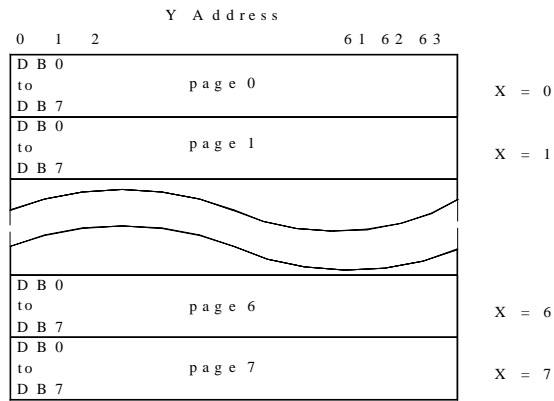
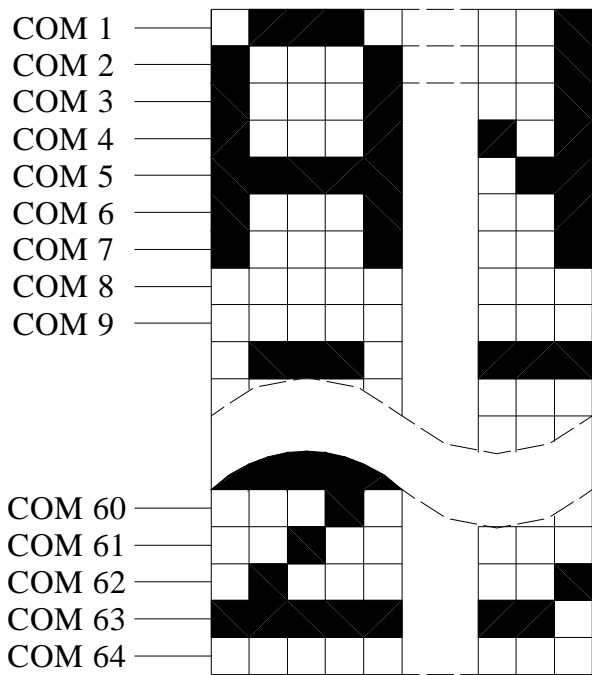
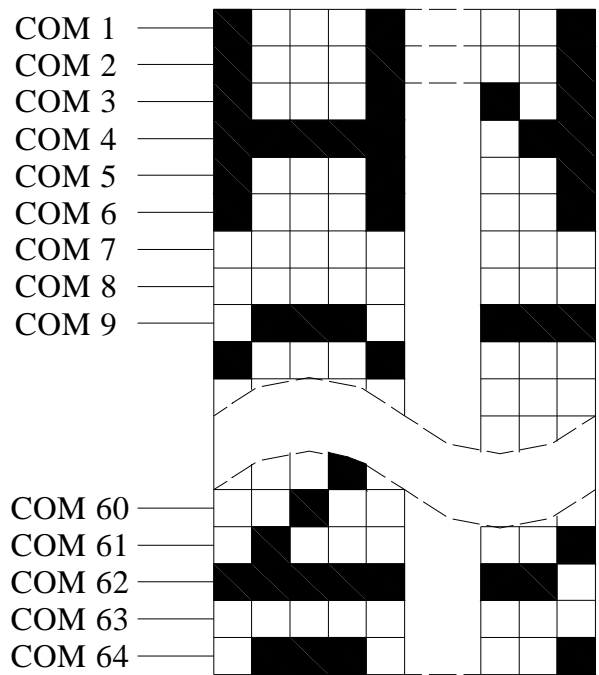


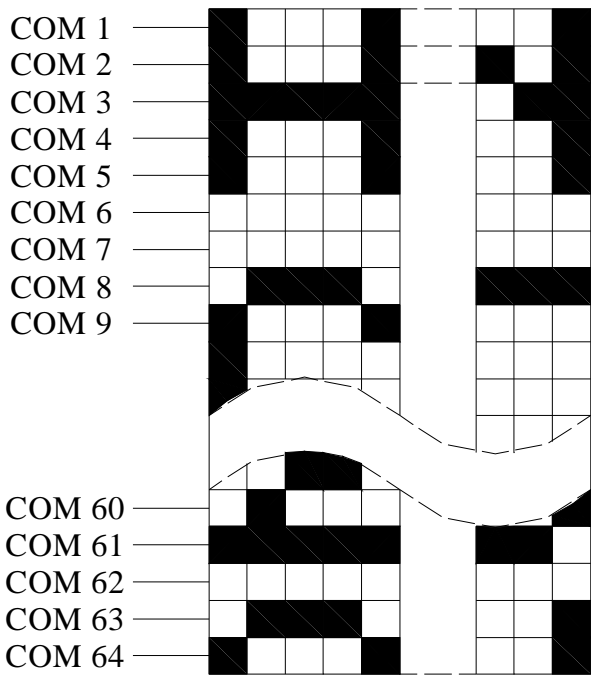
Figure 1.
explanation of output register in “Function of Each Block”.



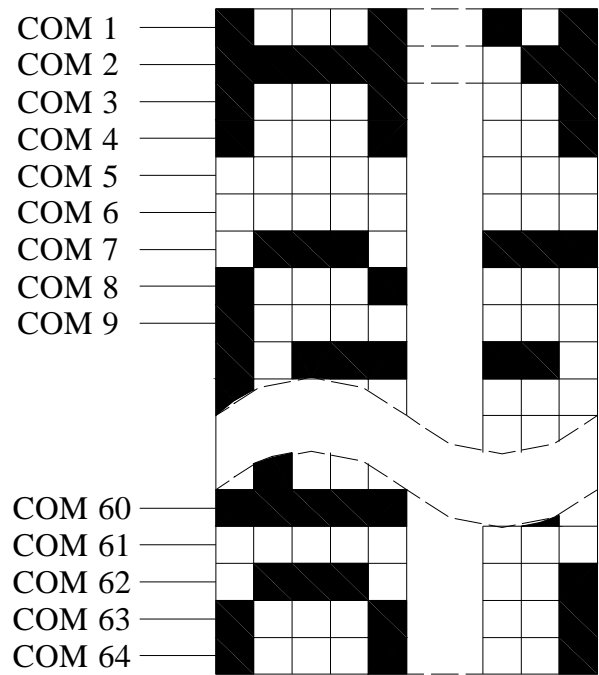
Start line = 0



Start line = 1



Start line = 3



Start line = 4

Figure 2.

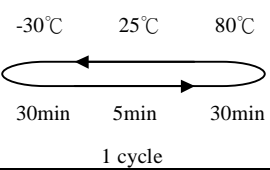
12. Quality Assurance

Screen Cosmetic Criteria

| No. | Defect | Judgment Criterion | Partition | | | | | | | | | | | | | | | | | | | | |
|--------------------|--------------------------------------|--|-------------------|--------------------------------------|--------------|-----------|--------------------|---|--------------------|---|-----------|---|-------------------|--------------------------------------|--------------|-----------|--------------------|---|--------------------|---|-----------|---|-------|
| 1 | Spots | <p>A)Clear</p> <table border="0"> <tr> <td><u>Size: d mm</u></td> <td><u>Acceptable Qty in active area</u></td> </tr> <tr> <td>$d \leq 0.1$</td> <td>Disregard</td> </tr> <tr> <td>$0.1 < d \leq 0.2$</td> <td>6</td> </tr> <tr> <td>$0.2 < d \leq 0.3$</td> <td>2</td> </tr> <tr> <td>$0.3 < d$</td> <td>0</td> </tr> </table> <p>Note: Including pin holes and defective dots which must be within one pixel size.</p> <p>B)Unclear</p> <table border="0"> <tr> <td><u>Size: d mm</u></td> <td><u>Acceptable Qty in active area</u></td> </tr> <tr> <td>$d \leq 0.2$</td> <td>Disregard</td> </tr> <tr> <td>$0.2 < d \leq 0.5$</td> <td>6</td> </tr> <tr> <td>$0.5 < d \leq 0.7$</td> <td>2</td> </tr> <tr> <td>$0.7 < d$</td> <td>0</td> </tr> </table> | <u>Size: d mm</u> | <u>Acceptable Qty in active area</u> | $d \leq 0.1$ | Disregard | $0.1 < d \leq 0.2$ | 6 | $0.2 < d \leq 0.3$ | 2 | $0.3 < d$ | 0 | <u>Size: d mm</u> | <u>Acceptable Qty in active area</u> | $d \leq 0.2$ | Disregard | $0.2 < d \leq 0.5$ | 6 | $0.5 < d \leq 0.7$ | 2 | $0.7 < d$ | 0 | Minor |
| <u>Size: d mm</u> | <u>Acceptable Qty in active area</u> | | | | | | | | | | | | | | | | | | | | | | |
| $d \leq 0.1$ | Disregard | | | | | | | | | | | | | | | | | | | | | | |
| $0.1 < d \leq 0.2$ | 6 | | | | | | | | | | | | | | | | | | | | | | |
| $0.2 < d \leq 0.3$ | 2 | | | | | | | | | | | | | | | | | | | | | | |
| $0.3 < d$ | 0 | | | | | | | | | | | | | | | | | | | | | | |
| <u>Size: d mm</u> | <u>Acceptable Qty in active area</u> | | | | | | | | | | | | | | | | | | | | | | |
| $d \leq 0.2$ | Disregard | | | | | | | | | | | | | | | | | | | | | | |
| $0.2 < d \leq 0.5$ | 6 | | | | | | | | | | | | | | | | | | | | | | |
| $0.5 < d \leq 0.7$ | 2 | | | | | | | | | | | | | | | | | | | | | | |
| $0.7 < d$ | 0 | | | | | | | | | | | | | | | | | | | | | | |
| 2 | Bubbles in Polarize | <table border="0"> <tr> <td><u>Size: d mm</u></td> <td><u>Acceptable Qty in active area</u></td> </tr> <tr> <td>$d \leq 0.3$</td> <td>Disregard</td> </tr> <tr> <td>$0.3 < d \leq 1.0$</td> <td>3</td> </tr> <tr> <td>$1.0 < d \leq 1.5$</td> <td>1</td> </tr> <tr> <td>$1.5 < d$</td> <td>0</td> </tr> </table> | <u>Size: d mm</u> | <u>Acceptable Qty in active area</u> | $d \leq 0.3$ | Disregard | $0.3 < d \leq 1.0$ | 3 | $1.0 < d \leq 1.5$ | 1 | $1.5 < d$ | 0 | Minor | | | | | | | | | | |
| <u>Size: d mm</u> | <u>Acceptable Qty in active area</u> | | | | | | | | | | | | | | | | | | | | | | |
| $d \leq 0.3$ | Disregard | | | | | | | | | | | | | | | | | | | | | | |
| $0.3 < d \leq 1.0$ | 3 | | | | | | | | | | | | | | | | | | | | | | |
| $1.0 < d \leq 1.5$ | 1 | | | | | | | | | | | | | | | | | | | | | | |
| $1.5 < d$ | 0 | | | | | | | | | | | | | | | | | | | | | | |
| 3 | Scratch | In accordance with spots cosmetic criteria. When the light reflects on the panel surface, the scratches are not to be remarkable. | Minor | | | | | | | | | | | | | | | | | | | | |
| 4 | Allowable Density | Above defects should be separated more than 30mm each other. | Minor | | | | | | | | | | | | | | | | | | | | |
| 5 | Coloration | Not to be noticeable coloration in the viewing area of the LCD panels. Back-light type should be judged with back-light on state only. | Minor | | | | | | | | | | | | | | | | | | | | |

13. Reliability

Content of Reliability Test

| Environmental Test | | | |
|--------------------------------------|--|---|---------------------|
| Test Item | Content of Test | Test Condition | Applicable Standard |
| High Temperature storage | Endurance test applying the high storage temperature for a long time. | 80°C 200hrs | --- |
| Low Temperature storage | Endurance test applying the high storage temperature for a long time. | -30°C 200hrs | --- |
| High Temperature Operation | Endurance test applying the electric stress (Voltage & Current) and the thermal stress to the element for a long time. | 70°C 200hrs | --- |
| Low Temperature Operation | Endurance test applying the electric stress under low temperature for a long time. | -20°C 200hrs | --- |
| High Temperature/ Humidity Storage | Endurance test applying the high temperature and high humidity storage for a long time. | 80°C, 90%RH 96hrs | --- |
| High Temperature/ Humidity Operation | Endurance test applying the electric stress (Voltage & Current) and temperature / humidity stress to the element for a long time. | 70°C, 90%RH 96hrs | --- |
| Temperature Cycle | Endurance test applying the low and high temperature cycle.  | -30°C/80°C 10 cycles | --- |
| Mechanical Test | | | |
| Vibration test | Endurance test applying the vibration during transportation and using. | 10~22Hz→1.5mmp-p 22~500Hz→1.5G Total 0.5hrs | --- |
| Shock test | Constructional and mechanical endurance test applying the shock during transportation. | 50G Half sign wave 11 msdc 3 times of each direction | --- |
| Atmospheric pressure test | Endurance test applying the atmospheric pressure during transportation by air. | 115mbar 40hrs | --- |
| Others | | | |
| Static electricity test | Endurance test applying the electric stress to the terminal. | VS=800V, RS=1.5kΩ CS=100pF 1 time | --- |

***Supply voltage for logic system=5V. Supply voltage for LCD system =Operating voltage at 25°C

14. Backlight Information

Specification

| PARAMETER | SYMBOL | MIN | TYP | MAX | UNIT | TEST CONDITION |
|--------------------|------------------|-----|------|-----|-------------------|-------------------------|
| Supply Current | I _{LED} | — | 330 | 660 | mA | V=4.2V |
| Supply Voltage | V | — | 4.2 | 4.6 | V | — |
| Reverse Voltage | V _R | — | — | 8 | V | — |
| Luminous Intensity | I _V | 200 | 250 | — | cd/m ² | I _{LED} =330mA |
| Wave Length | λ _p | 571 | — | 576 | nm | I _{LED} =330mA |
| Life Time | — | — | 100K | — | Hr. | V ≤ 4.6V |
| Color | Yellow Green | | | | | |