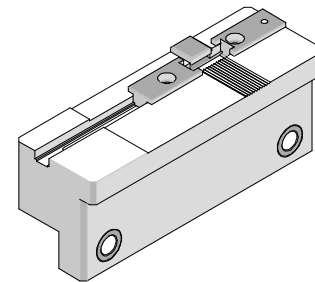




**IDT Ribbon Cable Module
Operating Instruction for
2.0mm Milli-Grid™ Dual row 87568 Series
Order No. 62100-2000**



FEATURES

- % This IDT Ribbon Cable Module is used with the 63600-0478 Pistol Power Handle and the 11-31-3337 Power Adapter. It is also used in the 62100-3200 Manual Press.
- % It is a simple design for easy termination of flat ribbon cable into the Molex 2.0mm Mill-Grid™ IDT Dual Row connector, 87568 Series, with or without the optional polarizing key and locking ramp.
- % The tool is easily adjusted for circuit sizes from 10 to 50.
- % An adjustable cable stop allows the operator to consistently produce quality “Feed-To”, “Feed-Through”, or “Daisy Chain” type harnesses.
- % The module by itself measures 32mm (1.26”) by 37mm (1.45”) by 95mm (3.74”) and weights 0.22 kg (0.50 lb).

SCOPE

Products: 2.00mm (.079”) Pitch Mill-Grid™ Cable-to-Board Receptacle, Dual Row, IDT

Series number 87568								
Circuit Size	Receptacle Order Number							
10	87568-1011	87568-1043	87568-1053	87568-1063	87568-1073	87568-1081	87568-1083	87568-1093
	87568-1012	87568-1044	87568-1054	87568-1064	87568-1074	87568-1082	87568-1084	87568-1094
12	87568-1243	87568-1263	87568-1273	87568-1281	87568-1283	87568-1293		
	87568-1244	87568-1264	87568-1274	87568-1282	87568-1284	87568-1294		
14	87568-1443	87568-1463	87568-1473	87568-1481	87568-1483	87568-1493		
	87568-1444	87568-1464	87568-1474	87568-1482	87568-1484	87568-1494		
16	87568-1643	87568-1663	87568-1673	87568-1681	87568-1683	87568-1693		
	87568-1644	87568-1664	87568-1674	87568-1682	87568-1684	87568-1694		
20	87568-2011	87568-2043	87568-2063	87568-2073	87568-2081	87568-2083	87568-2093	
	87568-2012	87568-2044	87568-2064	87568-2074	87568-2082	87568-2084	87568-2094	
22	87568-2243	87568-2263	87568-2273	87568-2281	87568-2283	87568-2293		
	87568-2244	87568-2264	87568-2274	87568-2282	87568-2284	87568-2294		
24	87568-2411	87568-2443	87568-2463	87568-2473	87568-2481	87568-2483	87568-2493	
	87568-2412	87568-2444	87568-2464	87568-2474	87568-2482	87568-2484	87568-2494	
26	87568-2643	87568-2663	87568-2673	87568-2681	87568-2683	87568-2693		
	87568-2644	87568-2664	87568-2674	87568-2682	87568-2684	87568-2694		
30	87568-3043	87568-3063	87568-3073	87568-3081	87568-3083	87568-3093		
	87568-3044	87568-3064	87568-3074	87568-3082	87568-3084	87568-3094		
34	87568-3411	87568-3443	87568-3463	87568-3473	87568-3481	87568-3483	87568-3493	
	87568-3412	87568-3444	87568-3464	87568-3474	87568-3482	87568-3484	87568-3494	
36	87568-3643	87568-3663	87568-3671	87568-3673	87568-3682	87568-3684	87568-3694	
	87568-3644	87568-3664	87568-3672	87568-3674	87568-3683	87568-3693		
40	87568-4011	87568-4043	87568-4063	87568-4073	87568-4081	87568-4083	87568-4093	
	87568-4012	87568-4044	87568-4064	87568-4074	87568-4082	87568-4084	87568-4094	
44	87568-4411	87568-4443	87568-4463	87568-4473	87568-4481	87568-4483	87568-4493	87568-7003
	87568-4412	87568-4444	87568-4464	87568-4474	87568-4482	87568-4484	87568-4494	87568-7004
50	87568-5011	87568-5043	87568-5063	87568-5073	87568-5081	87568-5083	87568-5093	
	87568-5012	87568-5044	87568-5064	87568-5074	87568-5082	87568-5084	87568-5094	

DESCRIPTION

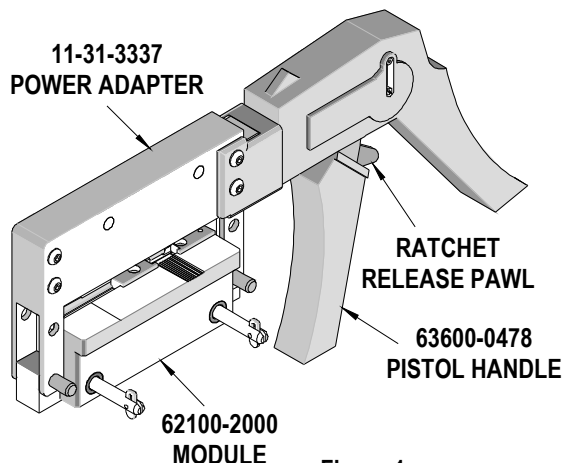


Figure 1
(HANDLE AND ADAPTER ARE NOT INCLUDED)

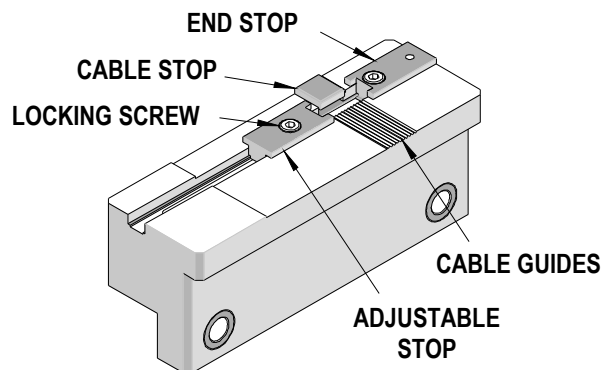


Figure 2
62100-2000 MODULE

Installation

1. Replace the anvil on the power adapter with the 11-32-8177 anvil, included in this kit.
2. Next, install the 62100-2000 IDT Ribbon Cable Module into the 11-31-3337 Power Adapter.
3. Then install the 63600-0478 Pistol Power Handle to the Power Adapter by following these steps:
 - a. Rotate the two (2) stops on the power adapter pegs so they are in line with the pegs. See Figure 3.
 - b. Slide the hand tool module onto the power adapter.
 - c. Rotate the stops back into stop position. See Figure 1.
 - d. Align this assembly with the handle; push the adapter down onto the handle until the stop on the adapter is firmly seated in the groove on the handle.

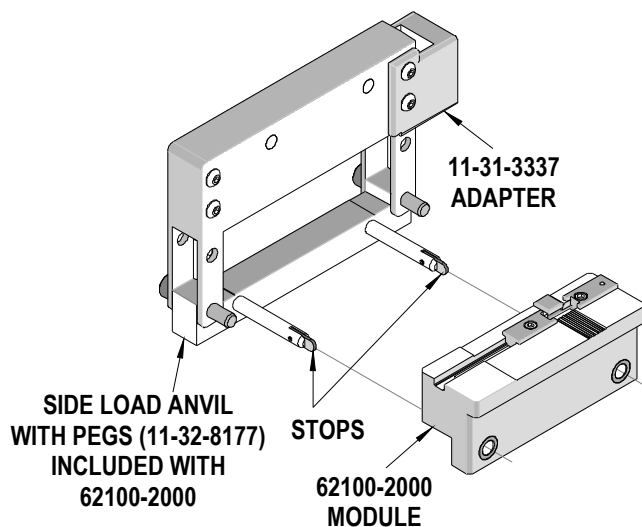


Figure 3

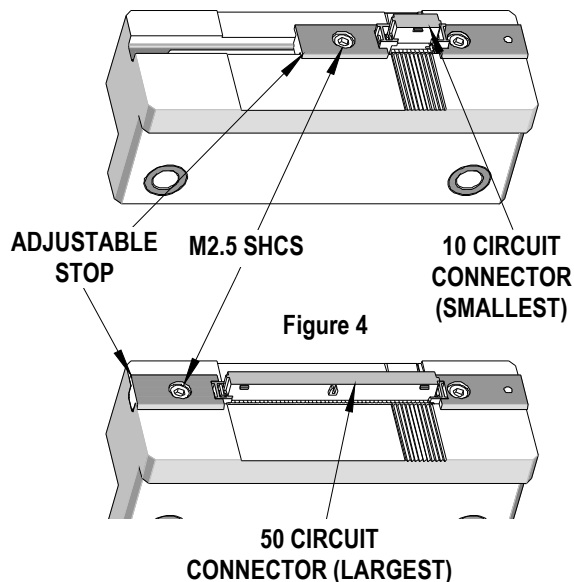


Figure 4

Nest Adjustment

1. To adjust the nest for correct connector size, loosen the M2.5 SHCS in the adjustable stop and slide the stop away from the end stop.
2. Place the proper connector into the nest against the end stop. See Figure 4.

3. Slide the adjustable stop to the connector just tight enough to hold the connector in position without making it difficult to remove.
4. Retighten the M2.5 SHCS.
5. Molex recommends trying several connectors to be sure of a proper fit.

Cable Stop Adjustment

1. For "Feed-To" harnesses, loosen the M3 BHCS and slide the cable stop to the up position. Retighten the screw.
2. For "Feed-Through" or "Daisy-Chain" type harnesses, loosen the M3 BHCS and slide the cable stop to the down position
3. Retighten the screw. See Figure 5.

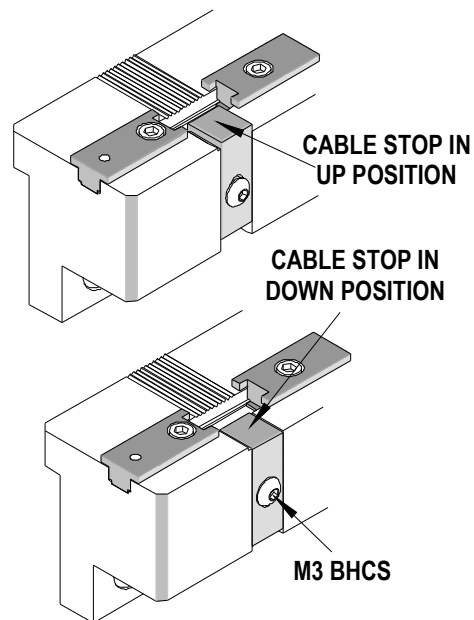


Figure 5

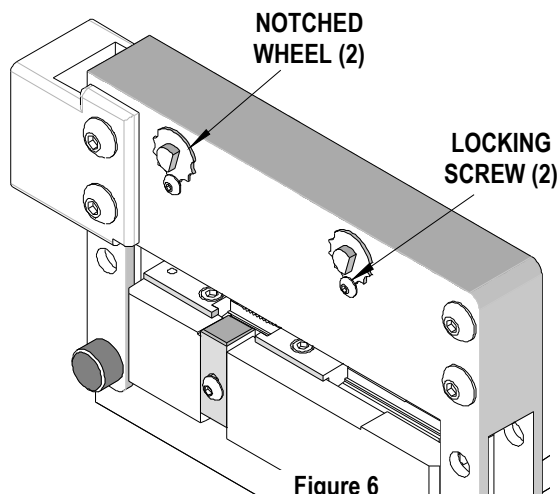


Figure 6

Termination Height Adjustment

All connector should be terminated to a final height of 9.13mm \pm .10.

1. To adjust the termination height, remove the two (2) screws that lock the notched wheels on the backside of the power adapter.
2. Turn the two (2) wheels, shown in Figure 6 an equal amount. Clockwise to decrease the termination height, or counterclockwise to increase the height. One (1) notch is .05mm (.002"). See drawing SD-87568-003 for details.
3. When the correct height is achieved, replace the two (2) locking screws.

OPERATION

1. Slide the IDT Ribbon Cable Module out to the load/unload position.
2. Load the proper connector making sure the lower housing is facing up.
3. Push the IDT Ribbon Cable Module into the termination position. See Figure 7.
4. Load the cable making sure it is locating in the cable guides and sliding it into the connector assembly until it contacts the cable stop, or until it is at the correct length. See Figure 8.
5. Terminate the connector onto the cable by squeezing the tool handle until the ratchet releases allowing the tool to open. See Figure 1. There is a full cycle ratchet mechanism. Should this tool jam the ratchet mechanism will prevent the handle from being released before the termination is complete, and the cycle will not be completed. Use the ratchet release shown in Figure 1 to reset the hand tool.
6. Slide the IDT Ribbon Cable Module out and remove the assembly.

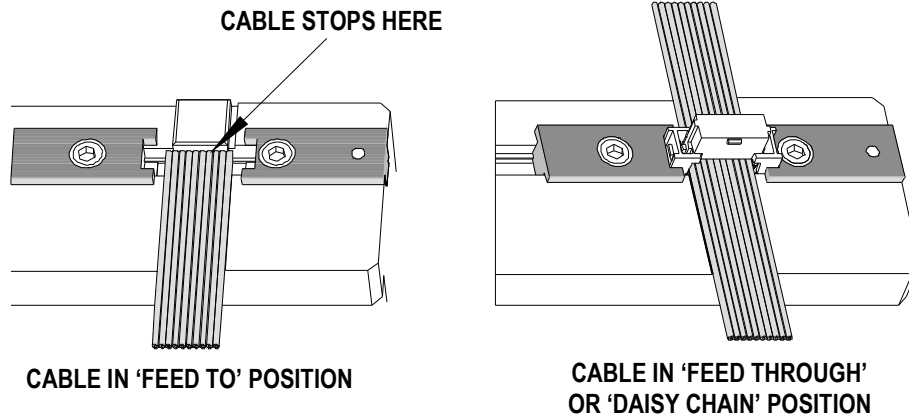
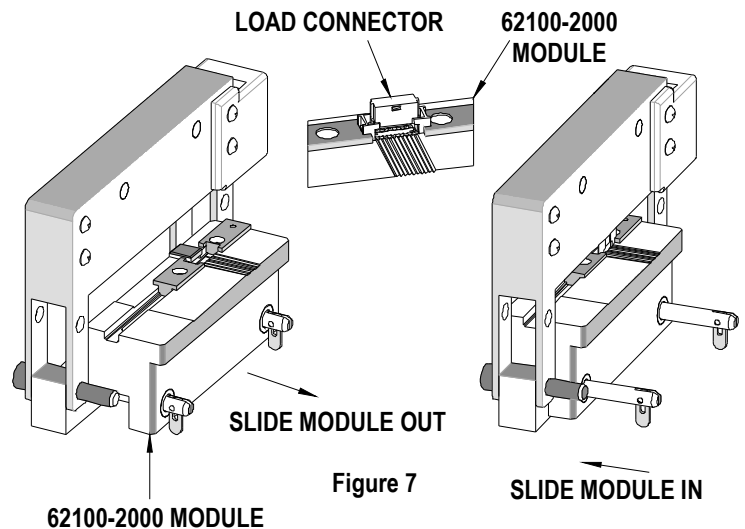


Figure 8

REPAIR POLICY

Molex does not repair the IDT Ribbon Cable Module. If the module, handle, or power adapter becomes damaged, a new tool must be purchased. Hand tools are intended for prototyping or portable termination applications. They are not intended for continuous duty production.

Americas Headquarters
Lisle, Illinois 60532 U.S.A.
1-800-78MOLEX
amerinfo@molex.com

Far East North Headquarters
Yamato, Kanagawa, Japan
81-462-65-2324
feninfo@molex.com

Far East South Headquarters
Jurong, Singapore
65-6-268-6868
fesinfo@molex.com

European Headquarters
Munich, Germany
49-89-413092-0
eurinfo@molex.com

Corporate Headquarters
2222 Wellington Ct.
Lisle, IL 60532 U.S.A.
630-969-4550
Fax: 630-969-1352

Visit our Web site at <http://www.molex.com>