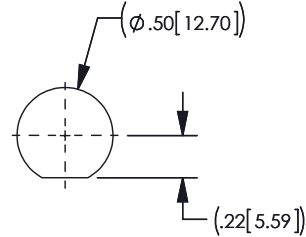
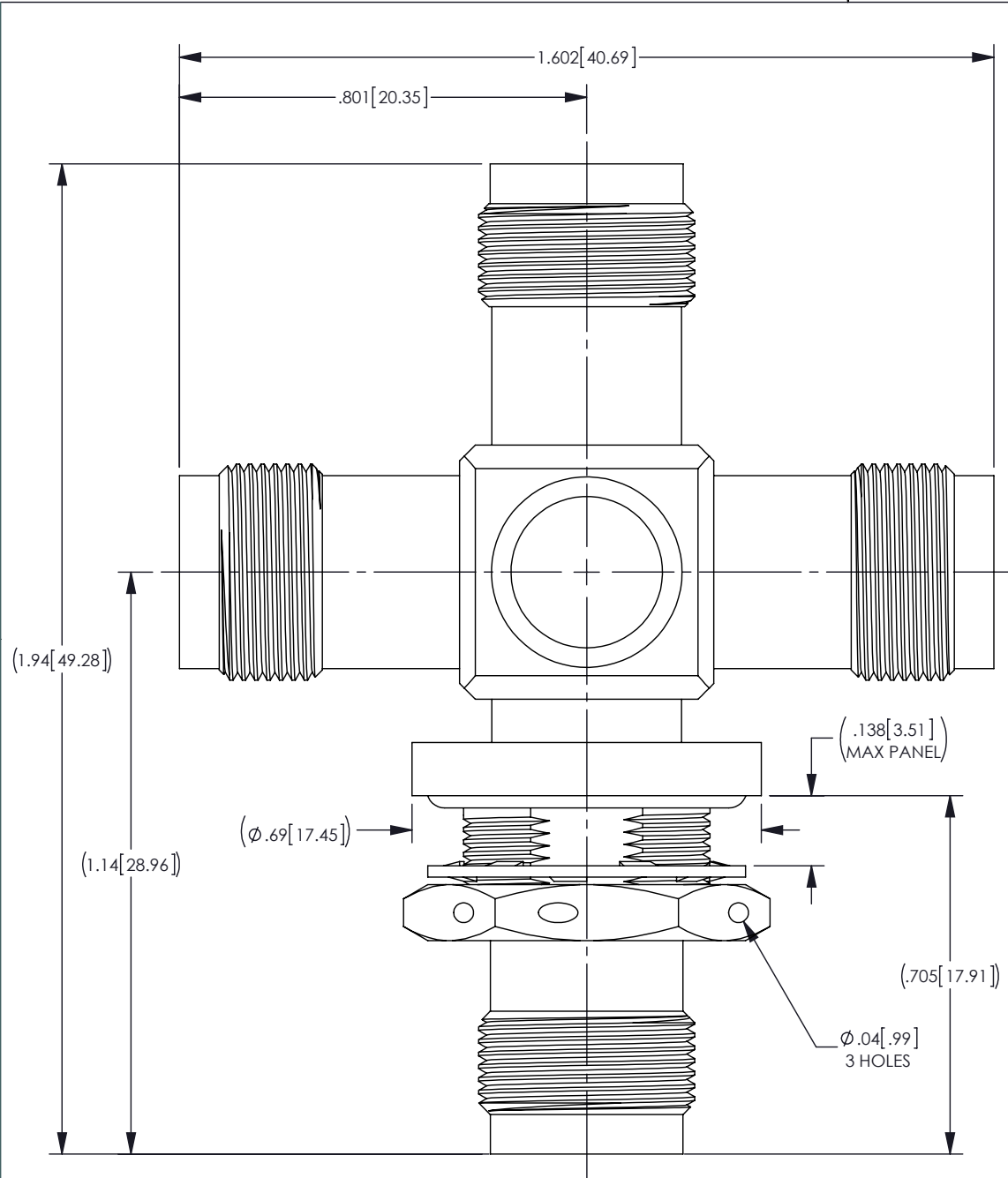


REV	DESCRIPTION	BY DATE	APPD
D	ER041051	KRL 03/26/12	DCAM



- NOTES: UNLESS OTHERWISE SPECIFIED
- INTERFACE PER MIL-STD-348, SERIES TNC, SOCKET CONTACT.
  - MATERIAL SPECIFICATIONS:  
 CENTER CONTACTS - BERYLLIUM COPPER UNS C17300 PER ASTM B196  
 LOCKWASHER - PHOS. BRONZE PER ASTM B103  
 INSULATORS - TEFLON PER ASTM D1710  
 O-RING - SILICONE RUBBER A-A-59588  
 ALL OTHER METAL PARTS - BRASS PER ASTM B16
  - FINISH SPECIFICATIONS:  
 CENTER CONTACT: .000050 MIN GOLD PLATE, PER ASTM B488 OVER  
 .000050 MIN. NICKEL PER AMS-QQ-N-290 (RoHS)  
 ALL OTHER METAL PARTS: .000050 MIN NICKEL PER AMS-QQ-N-290  
 OVER .000050 MIN COPPER PER ASTM B734 (RoHS)
  - ELECTRICAL SPECIFICATIONS:  
 NOMINAL IMPEDANCE - 50 OHMS  
 FREQUENCY RANGE - DC TO 11 GHz  
 VOLTAGE RATING - 500 VRMS
  - MARK PACKAGE KINGS: 129-16-9 (DATE CODE)
  - WEIGHT : 38.9 GRAMS
  - CAGE CODE: 91836

PER ASME Y14.5M-1994  
 UNLESS OTHERWISE SPECIFIED:  
 DIMENSIONS ARE IN INCHES [MM]  
 TOLERANCES:  
 DECIMAL: .XX [X.X] ± .01 [0.3]  
 .XXX [X.XX] ± .004 [0.13]  
 .XXXX [X.XXX] ± .XXXX  
 ANGLES: ± 0° 30' SCALE: 3:1

DRAWN	DATE	APPROVED	DATE
MZB	04/13/85	JT	04/14/85
APPROVED	DATE	APPROVED	DATE
VLS	6/08/85	XXX	XX/XX/XX

**KINGS**  
 by WINCHESTER  
 Winchester Electronics Corporation  
 62 Barnes Industrial Road North  
 Wallingford, Connecticut 06492

CUSTOMER SALES DRAWING		THIRD ANGLE	TNC BULKHEAD ADAPTOR F-F-F-F	
<b>A</b>	129-16-9	SHT	OF	REV
		1	1	D