



KERSEMI

Features

- Glass passivated chip
- Super fast switching time for high efficiency
- Low reverse leakage current
- High surge capacity
- Case Material: Molded Plastic. UL Flammability Classification Rating 94V-0

Maximum Ratings

- Operating Temperature: - 55°C to +155°C
- Storage Temperature: - 55°C to +155°C

MCC Catalog Number	Device Marking	Maximum Recurrent Peak Reverse Voltage	Maximum RMS Voltage	Maximum DC Blocking Voltage
MUR1605	MUR1605	50V	35V	50V
MUR1610	MUR1610	100V	70V	100V
MUR1620	MUR1620	200V	140V	200V
MUR1630	MUR1630	300V	210V	300V
MUR1640	MUR1640	400V	280V	400V

Electrical Characteristics @ 25°C Unless Otherwise Specified

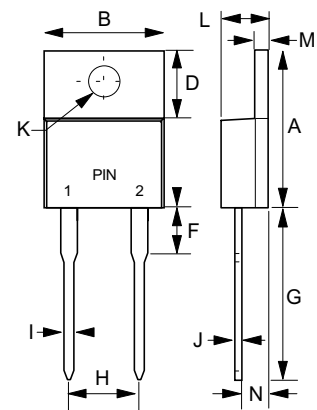
Average Forward Current	$I_{F(AV)}$	16.0A	$T_C = 110^\circ\text{C}$
Peak Forward Surge Current	I_{FSM}	250A	8.3ms, half sine
Maximum Forward Voltage Drop Per Element 1605-1630 1640-1650 1660	V_F	0.975V 1.3V 1.5V	$I_{FM} = 16A$ $T_J = 25^\circ\text{C}$
Maximum DC Reverse Current At Rated DC Blocking Voltage	I_R	10uA 250uA	$T_J = 25^\circ\text{C}$ $T_J = 100^\circ\text{C}$
Maximum Reverse Recovery Time 1505-1530 1540-1560	T_{rr}	35ns 60ns	$I_F=0.5A, I_r=1.0A,$ $I_{rr}=0.25A$
Typical Junction Capacitance	C_J	65pF	Measured at 1.0MHz, $V_R=4.0V$

*Pulse Test: Pulse Width 300μsec, Duty Cycle 2%

MUR1605 THRU MUR1660

16 Amp Super Fast Glass Passivated Rectifier 50 to 600 Volts

TO-220AC



DIM	INCHES		MM		NOTE
	MIN	MAX	MIN	MAX	
A	0.587	0.594	14.90	15.10	
B	-----	0.412	-----	10.50	
D	0.23	0.27	5.84	6.86	
F	0.14	0.16	3.56	4.06	
G	0.53	0.56	13.46	14.22	
H	0.195	0.205	4.95	5.20	
I	0.027	0.037	0.68	0.94	
J	0.014	0.025	0.35	0.64	
K	0.148	0.154	3.74	3.91	∅
L	0.175	0.185	4.44	4.70	
M	0.045	0.055	1.14	1.40	
N	0.10	0.11	0.35	0.64	

MUR1605 thru MUR1660



KERSEMI

FIG.1 - FORWARD CURRENT DERATING CURVE

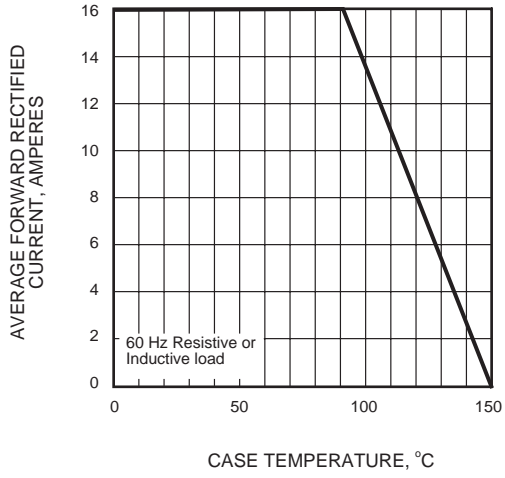


FIG.2 - MAXIMUM NON-REPETITIVE PEAK FORWARD SURGE CURRENT

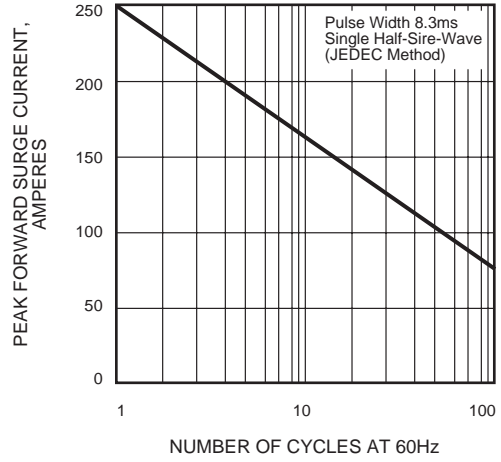


FIG.3 - TYPICAL INSTANTANEOUS FORWARD CHARACTERISTICS

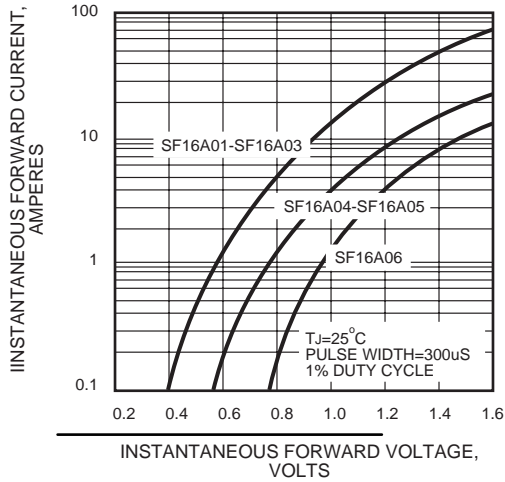


FIG.4 - TYPICAL REVERSE CHARACTERISTICS

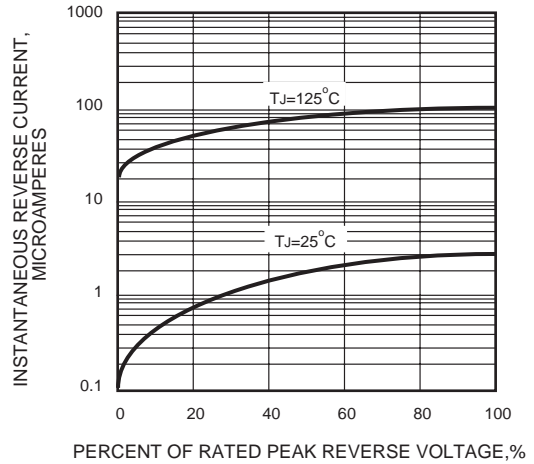


FIG.5 - TYPICAL JUNCTION CAPACITANCE

