

Interconnection Cord with IEC Plug G, Angled

**Description**

Interconnection Cord,
- Protection class II, Pin temperature 70 °C, Cable

References

[General Product Information](#)

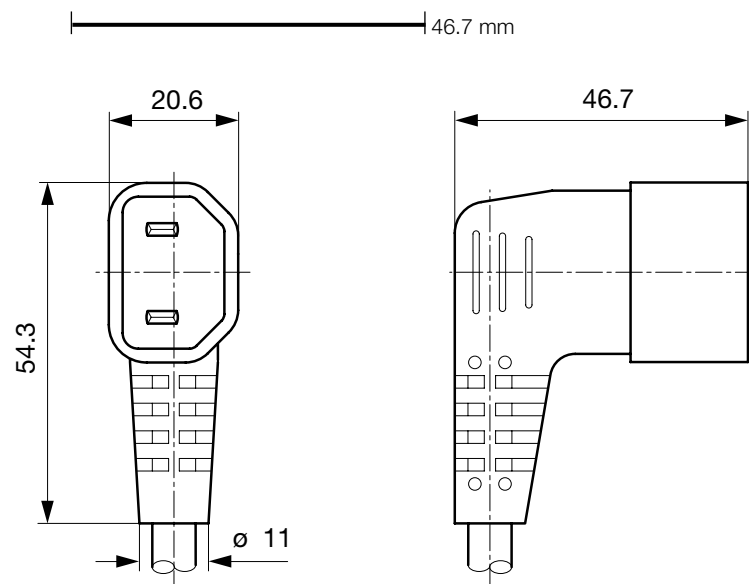
Weblinks

[Approvals, RoHS, CHINA-RoHS, Mating Connectors, e-Store, Distributor-Stock-Check, Accessories](#)

Technical Data

Ratings IEC	10A / 250VAC; 50Hz
Ratings UL/CSA	15A / 250VAC; 60Hz
Dielectric Strength	> 2 kVDC between L-N > 2 kVAC between L/N-PE (1 min/50Hz)
Allowable Operation Temp.	-25 °C to 70 °C
Degree of Protection	from front side IP 20 acc. to IEC 60529
Protection Class	Suitable for appliances with protection class 2 acc. to IEC 61140
Terminal	moulded
Material: Housing	PVC, black or grey

Plug	G acc. to IEC/EN 60320-1 UL 498, CSA C22.2 no. 42 (for cold conditions) pin-temperature 70 °C, 10A, Protection Class 2
------	---

Dimensions

Config. Code

Product Configurator

607B - R - Type - D - Length

The characters are placeholders for the correspondingly keys of selections from the key tables.
Typ steht für die Dose bzw. 2. Seite, Länge ist die Leitungslänge in mm.

607B - R - Type - D - Length = cord type

cord type	Configuration key
H03VV-F 2x0,75mm ²	A
H03VWH2-F 2x0,75mm ²	B
H05VV-F 2x0,75mm ²	D
H05VWH2-F 2x0,75mm ²	E
H05VV-F 2x1,0mm ²	F
SVT 2x18AWG	M

Cord definition is detailed in general product information XXX

607B - R - Type - D - Length = Cord end 2

Cord end 2
zzzz, 0301, 2510, 2511, 3016, 3113, 3127, 3130, 4810, 9011

607B - R - Type - D - Length = Color

Color	Configuration key
jet black; RAL9005	A
silver grey; RAL7001	B
standard color: black	

607B - R - Type - D - Length = Cord length

Cord length
zzzz, 000500, 001000, 001500, 002000, 002500, 003000, 005000
Cord length in mm

Mating Outlets/Connectors

Category / Description



Appliance Inlet Overview complete

IEC Appliance inlet C16	0169
Appliance Inlet further types to 607B	



Appliance Outlet Overview complete

IEC Appliance Outlet F, Screw-on Mounting, Front Side, Solder or Quick-connect Terminal	4787
IEC Appliance Outlet F, Snap-in Mounting, Front Side, Solder or Quick-connect Terminal	4788
IEC Appliance Outlet F, Screw-on Mounting, Front Side, Solder or Quick-connect Terminal	6600-3
IEC Appliance Outlet F, Snap-in Mounting, Front Side, Solder or Quick-connect Terminal	6600-4
Appliance Outlet further types to 607B	



Appliance Outlet shuttered Overview complete

IEC Appliance Outlet F Shuttered, Screw-on Mounting, Front Side, Solder or Quick-connect Terminal	4721
IEC Appliance Outlet F Shuttered, Snap-in Mounting, Front Side, Solder or Quick-connect Terminal	4723
Appliance Outlet shuttered further types to 607B	



Connector Overview complete

IEC Connector C15, Rewireable, Straight	0101
IEC Connector C15A, Rewireable, Straight	0102
IEC Connector C15A, Rewireable, Straight	0102-G
IEC Connector C15A, Rewireable, Angled	0112
IEC Connector C13, Rewireable, Angled	4012
Connector further types to 607B	
...	

Category / Description

[Distribution Unit Overview complete](#)

Distribution Unit for Snap-in Mounting with 1 IEC Appliance Inlet C14 and 1 Appliance Outlet F	0712
Strip Block for Snap-in Mounting with up to 7 IEC Appliance Outlets F	0909
Distribution Unit with 1 IEC Appliance Inlet C14 or Power Cord, 4 IEC Appliance Outlets F and Extra Components	4740
Distribution Unit with 1 IEC Appliance Inlet C14 and 2 Appliance Outlets F, Shuttered	4741
Distribution Unit with 1 IEC Appliance Inlet C14 and 4 Appliance Outlets F	4747
Distribution Unit further types to 607B	...

[Power Cord Overview complete](#)

Power Cord with IEC Connector C17, Angled	0301
Power Cord with IEC Connector C13, Angled	0311
Power Cord with IEC Connector C13, Angled	3011
Power Cord with IEC Connector C13, Angled	3012
Power Cord with IEC Connector C13, Angled	3013
Power Cord further types to 607B	...

[Power Entry Module Overview complete](#)

IEC Appliance Outlet F with Fuseholder 1-pole	4719
IEC Appliance Inlet C14 with modular extended Components	Felcom 64
IEC Appliance Inlet C14 with Appliance Outlet F	KP (Outlet)
IEC Appliance Inlet C14 with Appliance Outlet F, Line Switch 2-pole and Voltage Selector	PMM
Power Entry Module further types to 607B	

[Power Entry Module with line filter Overview complete](#)

IEC Appliance Inlet C14 Modular Assembling Options	Felcom 54
Power Entry Module with line filter further types to 607B	

[Power Supply or Interconnection Cord Overview complete](#)

Divers Power Supply and Interconnection Cords 10 A	Kabelverbindung/10 A
Power Supply or Interconnection Cord further types to 607B	