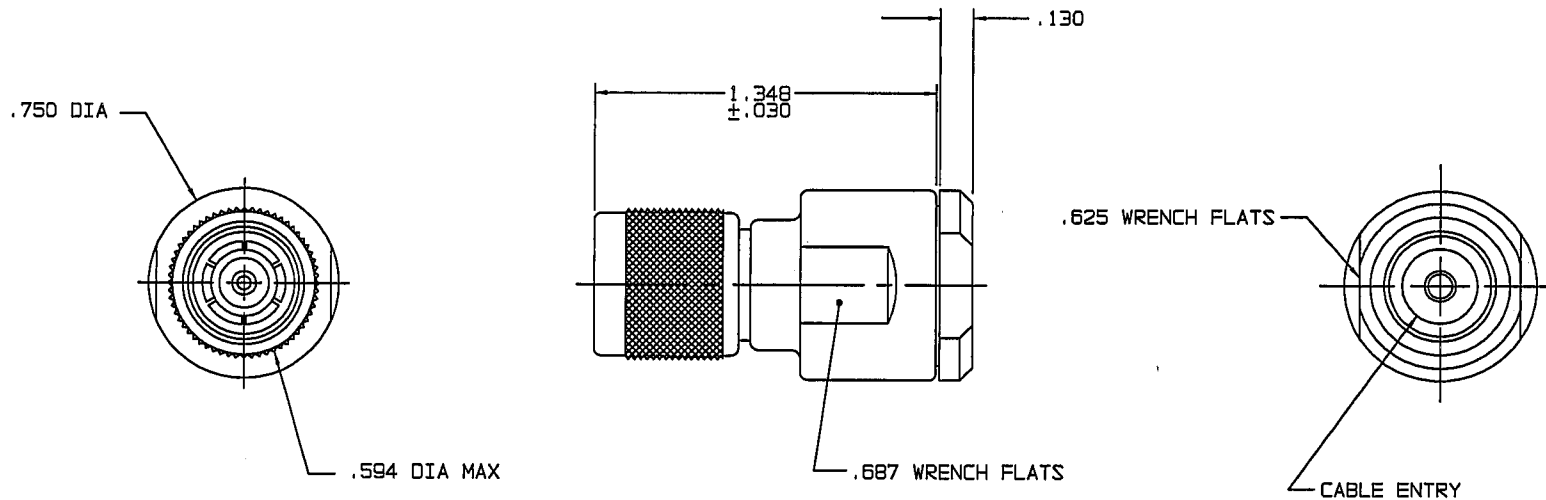


# RED INDICATES ORIGINAL

DASH NO	CONN TYPE	ASSEMBLE PER
-1/1S	PL40/S $\Delta$ $\Delta$	SH 3
-2	PL20 $\Delta$	

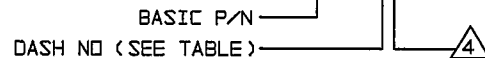
DATA CONTAINED IN THIS DOCUMENT IS PROPRIETARY TO TROMPETER ELECTRONICS INC. AND SHALL NOT BE DISCLOSED, COPIED OR USED FOR PROCUREMENT OR MANUFACTURE WITHOUT EXPRESS WRITTEN PERMISSION.

REVISIONS			105-1239	SH 1C	
REV	ED	DESCRIPTION	DWN	APPROVED	DATE
B	12956	UPDATED: BOM SEE ECO	R L	<i>[Signature]</i>	7/28/99



INCH	MM
.005	0.13
.030	0.76
.130	3.30
.594	15.09
.625	15.88
.687	17.45
1.348	34.24

5. EXAMPLE OF COMPLETE PART NUMBER: 105-1239-1S



-1 SHOWN

$\Delta$  IF SAFETY WIRE REQD ADD SUFFIX "S" TO MODEL NO (PL40S)

$\Delta$  50 OHM TNC AND BNC TYPE COAXIAL CABLE PLUG FOR M17/127-RG393 CABLE

2. FINISH: TFS-1A (NICKEL)

1. ALL DIM ARE IN INCHES

QTY	DESCRIPTION		PART NUMBER	ITEM
TOL UNLESS SPECIFIED .XX ± .XXX ± .005 .XXXX ± ANGLES ±	<b>TROMPETER ELECTRONICS, INC.</b>		PL20/PL40/S-RG393	
DWN	R L	7/26/99	MATERIAL	CODE IDENT
CHK	<i>[Signature]</i>	7-26-99	14949	DRAWING NO.
ENGR				105-1239
APPR	<i>[Signature]</i>	9-26-99	SCALE 2/1	DATE 12-21-87
NEXT ASSY				SHEET 1C