

TYPE C/2 FLEX-FIT™ FEMALE PCB CONNECTOR



PHYSICAL PROPERTIES

INSULATION MATERIAL: Glass filled thermoplastic rated UL 94V-0

COLOR: Gray

CONTACTS: Copper alloy, nickel plate overall, gold finish in contact zone. Tin/lead on solder tails, tin/lead or gold on posts.

ELECTRICAL PROPERTIES

CURRENT RATING: 2 Amps per pin

INSULATION RESISTANCE: >1 x 10⁹ Ohms

DIELECTRIC STRENGTH: > 500 VDC at sea level

ENVIRONMENTAL PROPERTIES

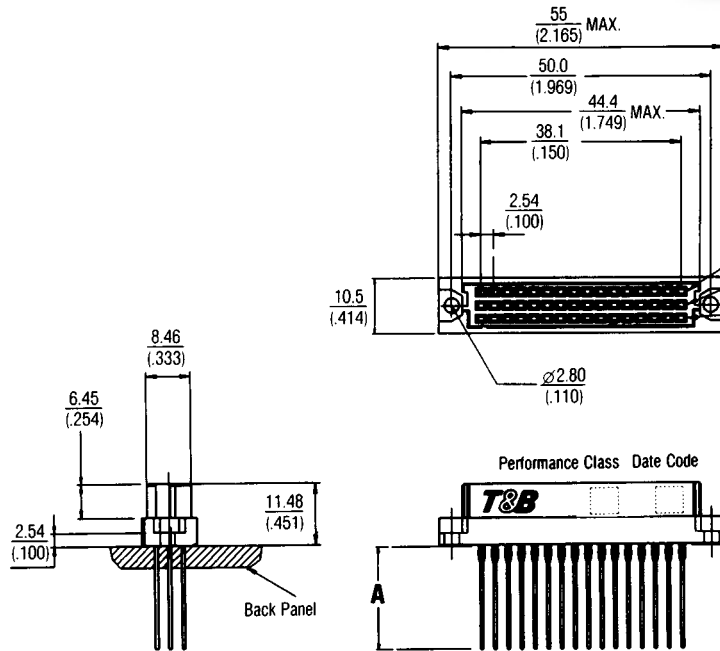
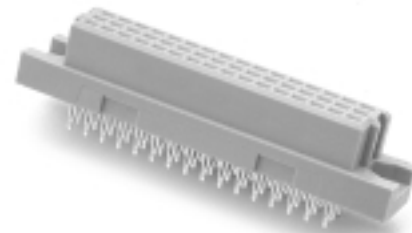
TEMPERATURE RATING: -55°C TO 125°C

INITIAL INSERTION FORCE PER PIN

40 lbs. maximum when staked into glass epoxy PCB substrate 0.037" diameter finished through-hole

RETENTION FORCE PER PIN

10 lbs. minimum when staked into glass epoxy PCB substrate 0.043" diameter finished through-hole



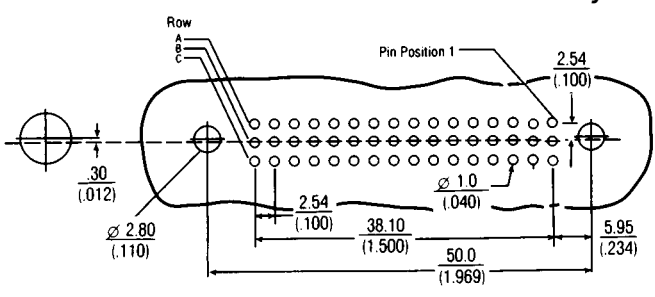
X PERFORMANCE LEVEL

1	level 1 - 500 mating cycles
2	level 2 - 400 mating cycles
3	level 3 - 50 mating cycles

Y TAIL PLATING

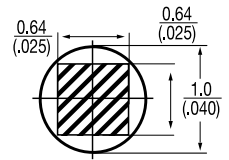
1	Tin/Lead
2	Gold Flash (.200" From Pin Tip)
3	Gold Plate (30 microinches .200" From Pin Tip)

Recommended Printed Circuit Board Layout



Ordering Information

NO. OF CONTACTS	CONTACT LOADING	CATALOG NO. SPECIFY X AND Y	TERMINATION STYLE	MM (INCHES)
32 48	a, c a, b, c	1, 2, 3-16 1, 2, 3-16	FHC032-081-X FHC048-081-X	A = 4.7 (.184)
32 48	a, c a, b, c	1, 2, 3-16 1, 2, 3-16	FHC032-091-X-Y FHC048-091-X-Y	A = 13.0 (.512)
32 48	a, c a, b, c	1, 2, 3-16 1, 2, 3-16	FHC032-101-X-Y FHC048-101-X-Y	A = 17.0 (.669)
32 48	a, c a, b, c	1, 2, 3-16 1, 2, 3-16	FHC032-111-X-Y FHC048-111-X-Y	A = 20.9 (.823)



**Press-Fit
Wire Wrap Post**
0.64 x 0.64
(.025 x .025)