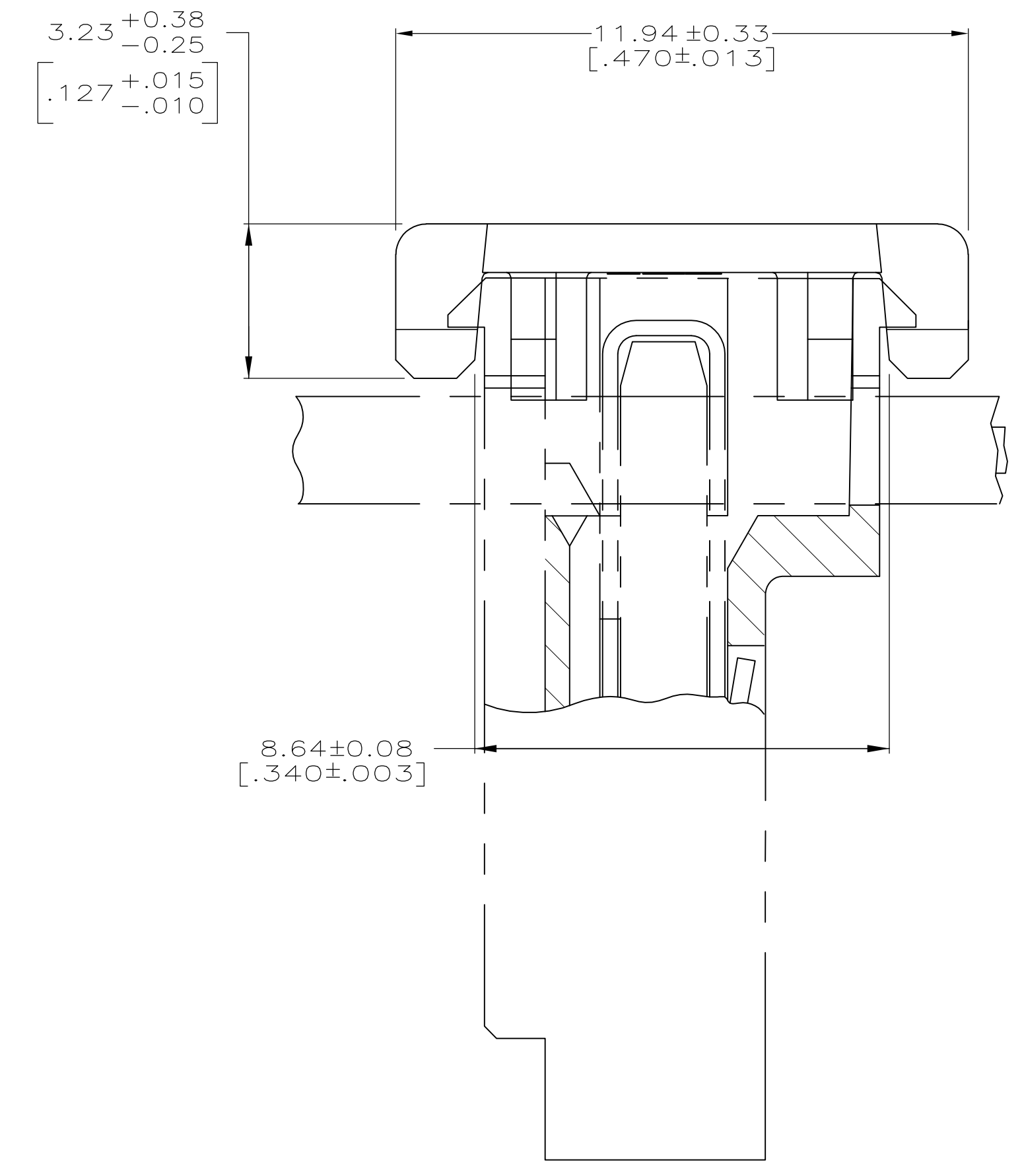
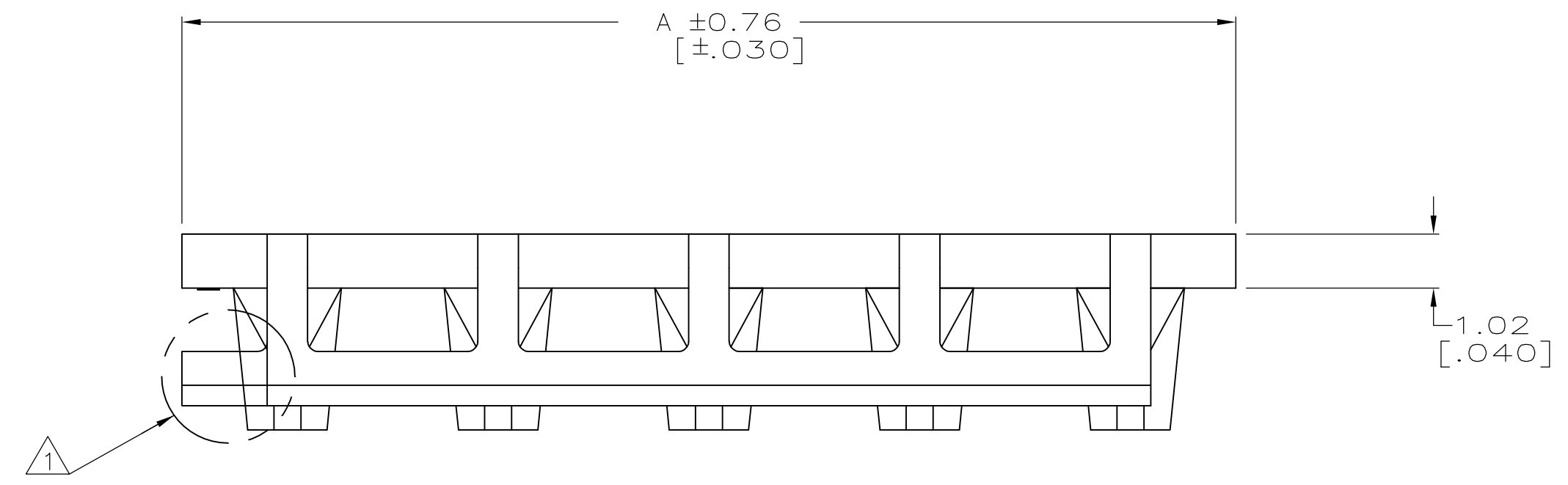
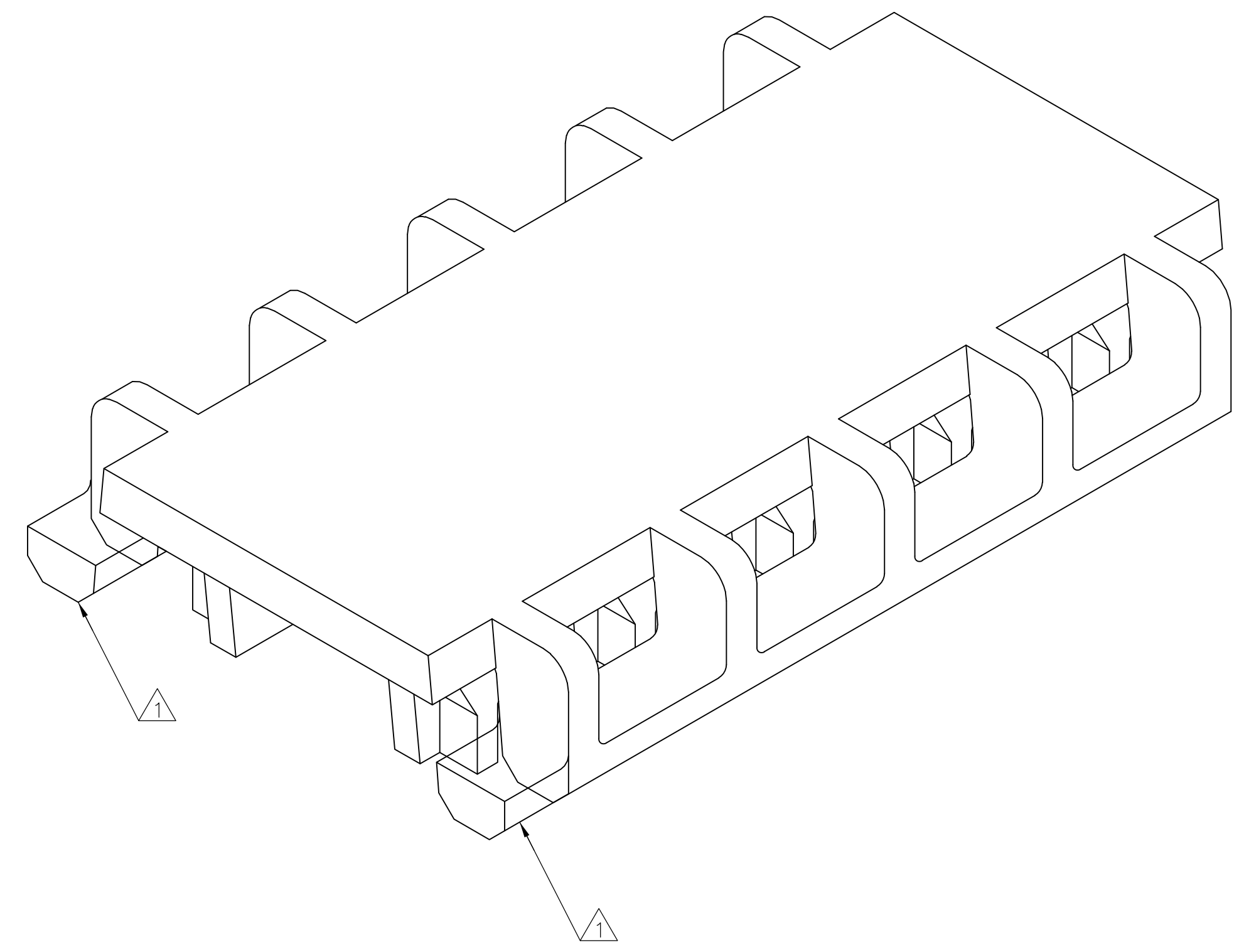


| | | | | | | | |
|-----|------|-----------|-----|---------------------------|---------|-----|------|
| LOC | DIST | REVISIONS | | | | | |
| CM | 54 | P | LTR | DESCRIPTION | DATE | DWN | APVD |
| | | F1 | | REVISED PER ECO-11-004820 | 11MAR11 | RK | HMR |



1. PART MAY BE MOLDED TO DESIRED POSITION SIZE OR CUT TO DESIRED POSITION SIZE FROM A LARGER POSITION SIZE PART. WHEN PART IS CUT TO DESIRED POSITION SIZE, A PORTION OF FRONT LOCKING BAR WILL REMAIN ATTACHED.

2. DIMENSIONS IN BRACKETS ARE IN INCHES.



3-DIMENSIONAL MODEL
NTS

| | | | |
|-------------------------------------|-------|---------|------------|
| 24 CIRCUIT ASSEMBLIES | 95.10 | [3.744] | 2-643071-4 |
| 23 CIRCUIT ASSEMBLIES | 91.14 | [3.588] | 2-643071-3 |
| 22 CIRCUIT ASSEMBLIES | 87.17 | [3.432] | 2-643071-2 |
| 21 CIRCUIT ASSEMBLIES | 83.21 | [3.276] | 2-643071-1 |
| 20 CIRCUIT ASSEMBLIES | 79.25 | [3.120] | 2-643071-0 |
| 19 CIRCUIT ASSEMBLIES | 75.29 | [2.964] | 1-643071-9 |
| 18 CIRCUIT ASSEMBLIES | 71.32 | [2.808] | 1-643071-8 |
| 17 CIRCUIT ASSEMBLIES | 67.36 | [2.652] | 1-643071-7 |
| 16 CIRCUIT ASSEMBLIES | 63.40 | [2.496] | 1-643071-6 |
| 15 CIRCUIT ASSEMBLIES | 59.44 | [2.340] | 1-643071-5 |
| 14 CIRCUIT ASSEMBLIES | 55.47 | [2.184] | 1-643071-4 |
| 13 CIRCUIT ASSEMBLIES | 51.51 | [2.028] | 1-643071-3 |
| 12 CIRCUIT ASSEMBLIES | 47.55 | [1.872] | 1-643071-2 |
| 11 CIRCUIT ASSEMBLIES | 43.59 | [1.716] | 1-643071-1 |
| 10 CIRCUIT ASSEMBLIES | 39.62 | [1.560] | 1-643071-0 |
| 9 CIRCUIT ASSEMBLIES | 35.66 | [1.404] | 643071-9 |
| 8 CIRCUIT ASSEMBLIES | 31.70 | [1.248] | 643071-8 |
| 7 CIRCUIT ASSEMBLIES | 27.74 | [1.092] | 643071-7 |
| 6 CIRCUIT ASSEMBLIES | 23.77 | [.936] | 643071-6 |
| 5 CIRCUIT ASSEMBLIES | 19.81 | [.780] | 643071-5 |
| 4 CIRCUIT ASSEMBLIES | 15.85 | [.624] | 643071-4 |
| 3 CIRCUIT ASSEMBLIES | 11.89 | [.468] | 643071-3 |
| 2 CIRCUIT ASSEMBLIES | 7.92 | [.312] | 643071-2 |
| USE ON MTA 156 ASSEMBLIES AS LISTED | | | A PART NO |

THIS DRAWING IS A CONTROLLED DOCUMENT.

| | | | | | |
|----------------------------------|---|------------------------------|-----------------------------|------------------------------|-----------------------------|
| DIMENSIONS: mm [INCHES] | TOLERANCES UNLESS OTHERWISE SPECIFIED: | DWN R. VESTAL 10-13-95 | CHK R. SWING 10-13-95 | APVD D. CLARK 10-13-95 | NAME STE TE Connectivity |
| | 0 PLC ± - 2 PLC ± - 3 PLC ± - 4 PLC ± 0.13 [005] | PRODUCT SPEC | | | |
| MATERIAL NYLON,UL 94V-2 WHITE | FINISH - | APPLICATION SPEC | | | |
| CUSTOMER DRAWING | | WEIGHT - | SIZE A1 | CAGE CODE 00779 | DRAWING NO 643071 |
| SCALE 10:1 | | SHEET 1 OF 1 | | REV F1 | |

Mouser Electronics

Authorized Distributor

Click to View Pricing, Inventory, Delivery & Lifecycle Information:

TE Connectivity:

[643071-2](#) [643071-3](#) [643071-4](#) [643071-5](#) [643071-6](#) [643071-7](#) [643071-8](#) [643071-9](#) [1-643071-0](#) [1-643071-2](#) [1-643071-4](#) [1-643071-5](#) [1-643071-6](#)