

SPECIFICATIONS

Mechanical

Contact Retention Force: 1.36KGF Min
Durability: 500 Cycles

Electrical

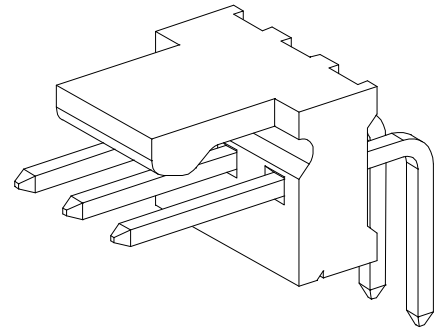
Voltage Rating: 250V
Current Rating: 3.0A per pin min
Contact Resistance: 40mW max
Dielectric Withstanding Voltage: 750V
Insulation Resistance: 1000MW min

Physical

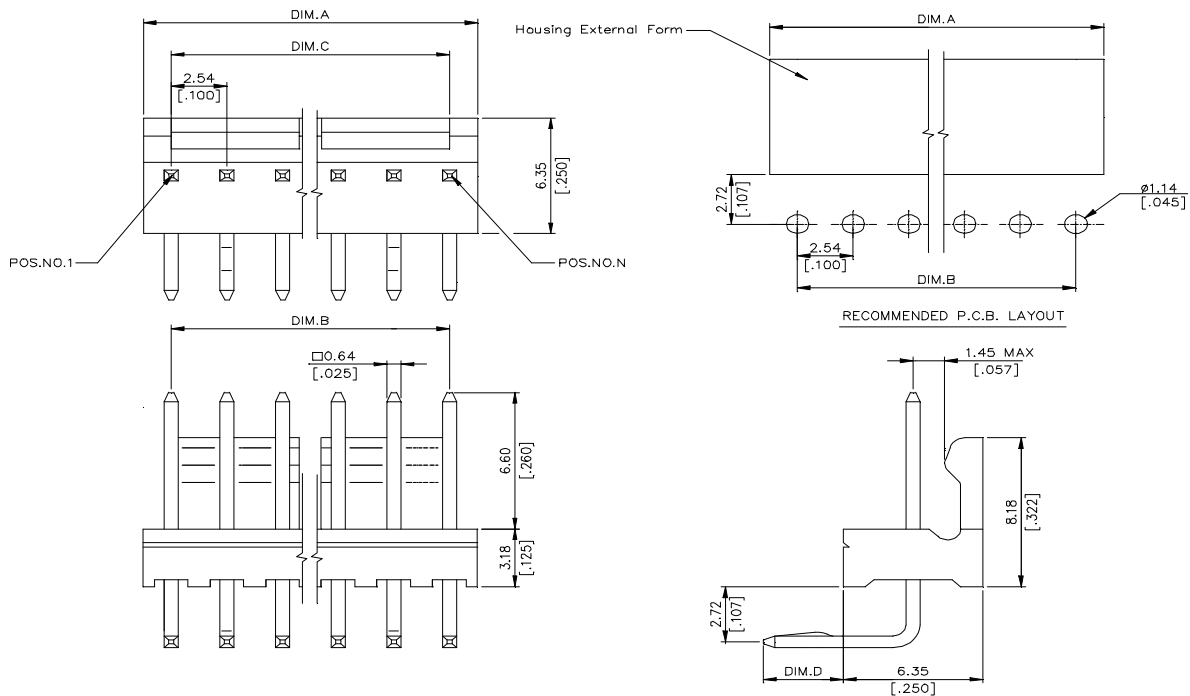
Housing: Thermoplastic, Glass Filled, UL94V-0 Rating
Contact: Copper Alloy
Plating: See "ORDERING INFORMATION"
Operating Temperature: -40 to +105

Friction Header Connector

HF18 Series
Friction R/A Type
2.54mm [.100"] Pitch



DRAWING



ORDERING INFORMATION

PRODUCT NO.: HF18***-**

Header _____
 High Friction Header _____
 Termination & Contact Type _____
 No. Of Pos _____
 2=2 Pos
 3=3 Pos
 ⋮
 6=6 Pos

Optional For Kinks
 NONE: STANDARD PRODUCT
 K: THE 2ND & N-1TH POS. OF TERMINALS ARE KINKED
 Optional For Tail Length
 NONE: DIM.D = 3.64[.143]
 S: DIM.D = 2.40[.094]
 Optional For Plating
 0=100u" Tin/Lead
 E=100u" min. Tin with Lead free "RoHS Compliance"

HF1806*-**	6	15.24 [.600]	12.70 [.500]	12.70 [.500]
HF1805*-**	5	12.70 [.500]	10.16 [.400]	10.16 [.400]
HF1804*-**	4	10.16 [.400]	7.62 [.300]	7.62 [.300]
HF1803*-**	3	7.62 [.300]	5.08 [.200]	5.08 [.200]
HF1802*-**	2	5.08 [.200]	2.54 [.100]	2.54 [.100]
P/N	POS.	DIM. A	DIM. B	DIM. C