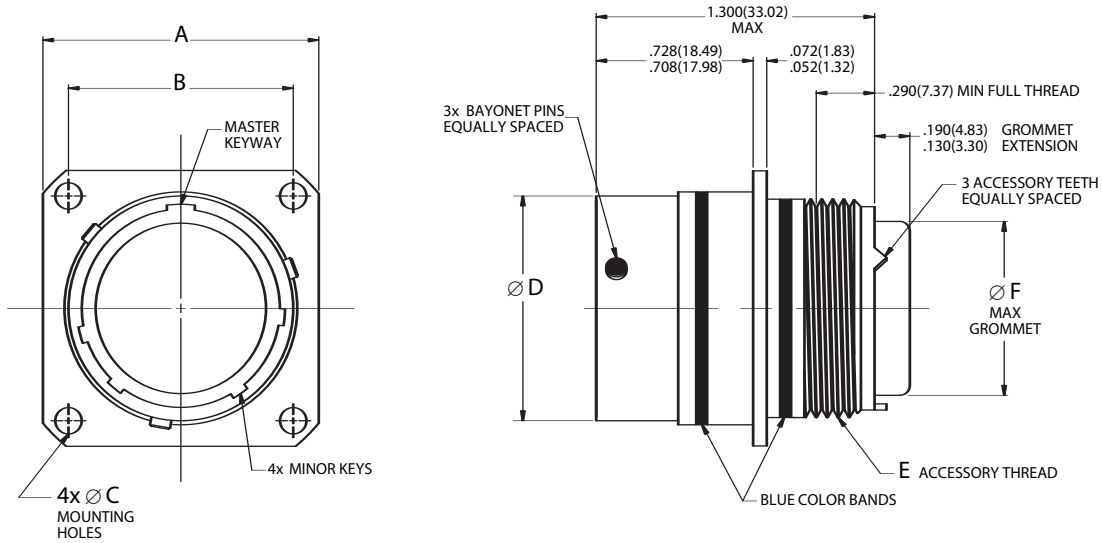




Bayonet Coupling, Crimp Removable, Rear Release



| | |
|----------------|---|
| Page 88 | Completed Part Number |
| Page 104 | Contacts, Sealing Plugs and Tools |
| Pages 107, 108 | Insert Arrangements |
| Page 87 | Performance Specifications |
| Page 106 | Insert Availability and Contact Information |
| Page 102 | Polarization |

| Shell Size | A | | B | | Ø C | | Ø D | | E | Ø F | |
|------------|-------|-------|-------|-------|-------|------|-------|-------|------------------------------|---------|-------|
| | ±.005 | ±.13 | (TP) | | ±.005 | ±.13 | +0.00 | +0.00 | Accessory Thread Class 2A | Maximum | |
| | inch | mm | inch | mm | inch | mm | inch | mm | | inch | mm |
| 8 | .812 | 20.62 | .594 | 15.09 | .120 | 3.05 | .536 | 13.61 | 1/2-20UNF | .305 | 7.75 |
| 10 | .937 | 23.80 | .719 | 18.26 | .120 | 3.05 | .659 | 16.74 | 5/8-24UNEF | .405 | 10.29 |
| 12 | 1.031 | 26.19 | .812 | 20.62 | .120 | 3.05 | .829 | 21.06 | 3/4-20UNEF | .531 | 13.49 |
| 14 | 1.125 | 28.58 | .906 | 23.01 | .120 | 3.05 | .898 | 22.81 | 7/8-20UNEF | .665 | 16.89 |
| 16 | 1.250 | 31.75 | .969 | 24.61 | .120 | 3.05 | 1.025 | 26.04 | 1-20UNEF | .790 | 20.07 |
| 18 | 1.343 | 34.11 | 1.062 | 26.97 | .120 | 3.05 | 1.131 | 28.73 | 1-1/16-18UNEF | .869 | 22.07 |
| 20 | 1.437 | 36.50 | 1.156 | 29.36 | .120 | 3.05 | 1.256 | 31.90 | 1-3/16-18UNEF | .994 | 25.25 |
| 22 | 1.562 | 39.67 | 1.250 | 31.75 | .120 | 3.05 | 1.381 | 35.08 | 1-5/16-18UNEF | 1.119 | 28.42 |
| 24 | 1.703 | 43.26 | 1.375 | 34.93 | .149 | 3.78 | 1.506 | 38.25 | 1-7/16-18UNEF | 1.244 | 31.60 |