

ZONE	REV	SCR NUMBER	DESCRIPTION	BY	DATE	APPROVED
ALL	-	DSMH-6BSRAX.VER01	NEW RELEASE	S.GAGNON	02/25/05	D.SMITH
	A	MLEE-6K9H3D.VER01	REPLACED DRAWING FORMAT	R.CHIFFY	12/13/05	C.SAMMIS
	B	SBAR-6VAHZP.VER01	ADDED 5 POS TO TABLE 1 DIM 19.21 WAS 18.87	M.DEROSA	11/03/2006	G.GRASSETT
	C	CSAS-7PLK2R.VER01	ADDED PLATING DETAILS IN PARADIGM AND NOTE 4	HCL-SK	03/03/2009	D.SMITH
	D	DSMH-7QVP2B.VER01	UPDATED ASSEMBLY PART NUMBER SCHEME	HCL-MH	04/16/2009	D.SMITH

RIGHT POLARIZING BACKPLANE MODULE
ASSEMBLY PART NUMBER ASSIGNMENT

335 - X 0 X X - X X X

- ⑦ LOAD
 - 6 = STANDARD LOADED
 - 7 = CUSTOM LOADED TIN/LEAD
 - 8 = CUSTOM LOADED LEADFREE
- MINIMUM PIN WIPE LENGTH. SEE DETAIL U
 - 3 = 1.00 mm WIPE
 - 4 = 2.00 mm WIPE
 - 5 = 3.00 mm WIPE
- PLATING CODE ④
 - 0 = 735
 - 1 = 732
 - 2 = 769
 - 3 = 768
- POLARIZING PIN LOCATION CODE (SEE TABLE 2)
- NUMBER OF COLUMNS
 - 05 = 5 COLUMN MODULE
 - 10 = 10 COLUMN MODULE
 - 25 = 25 COLUMN MODULE

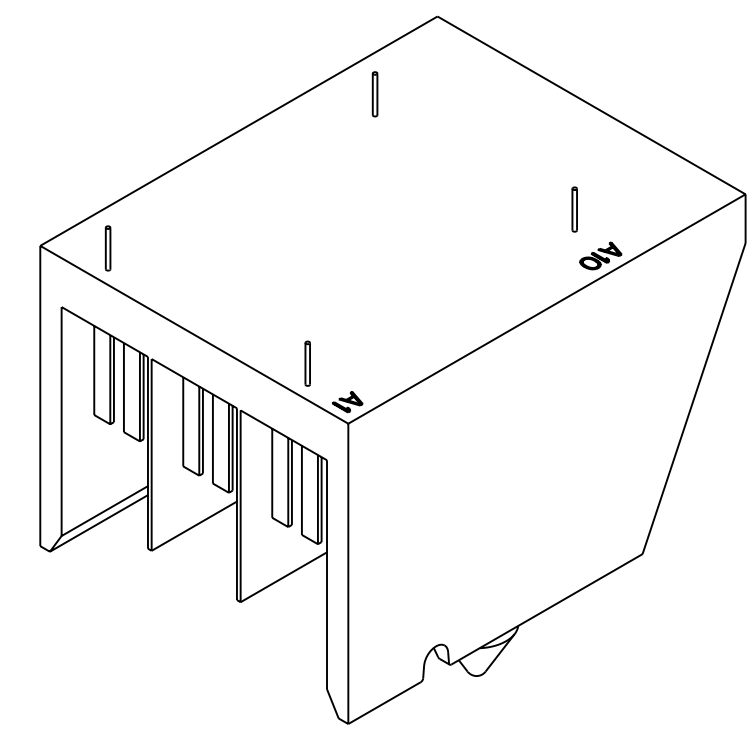
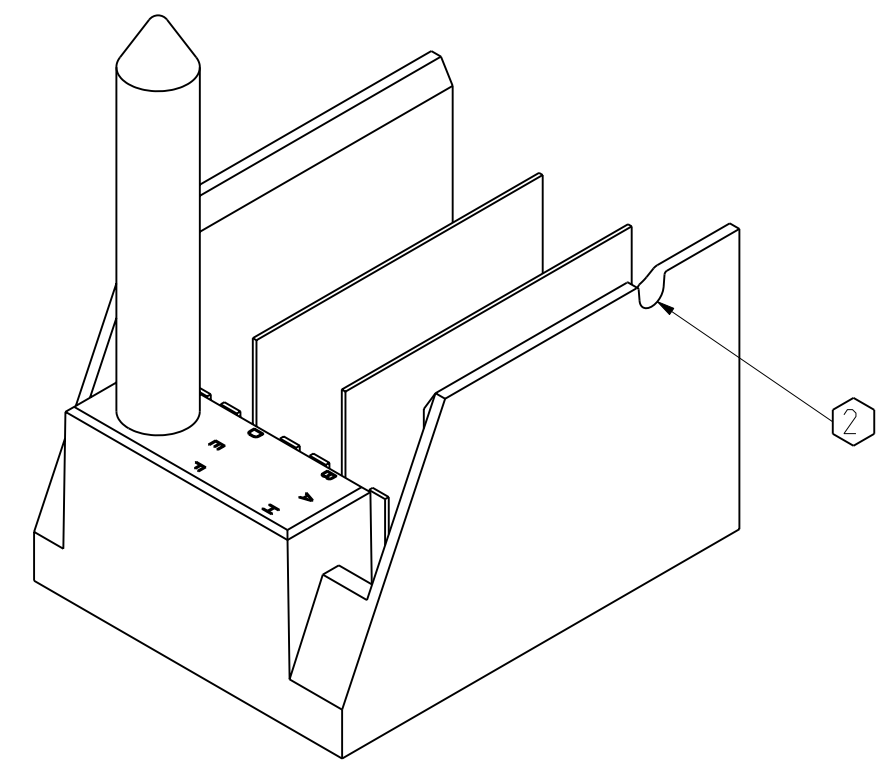
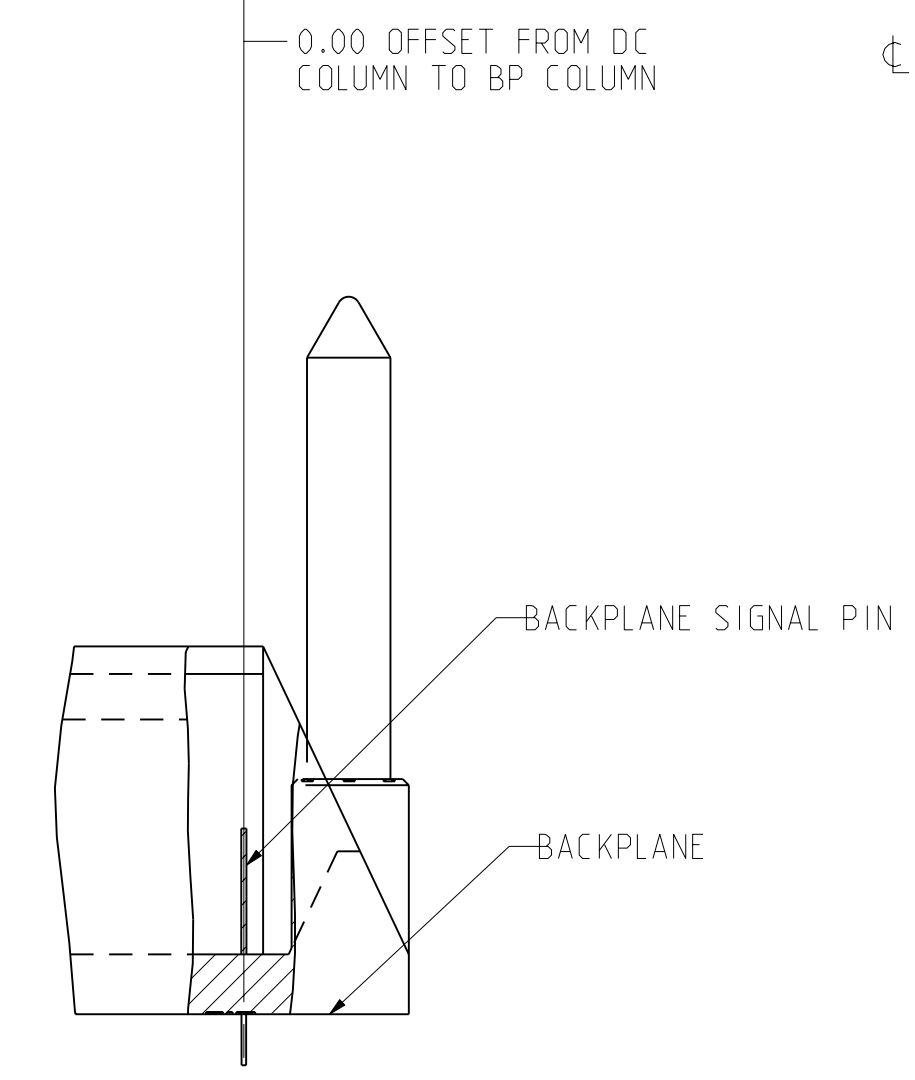
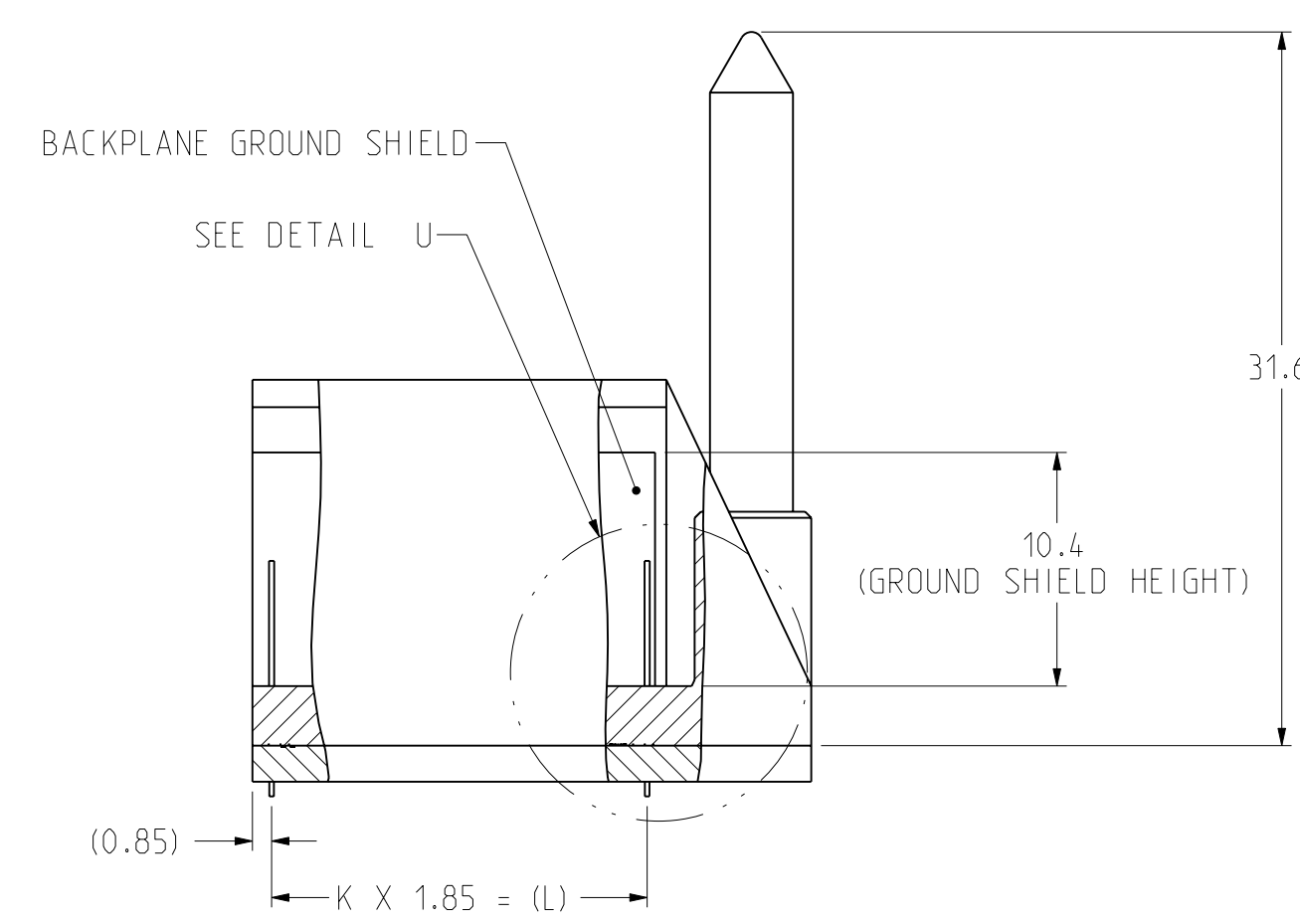
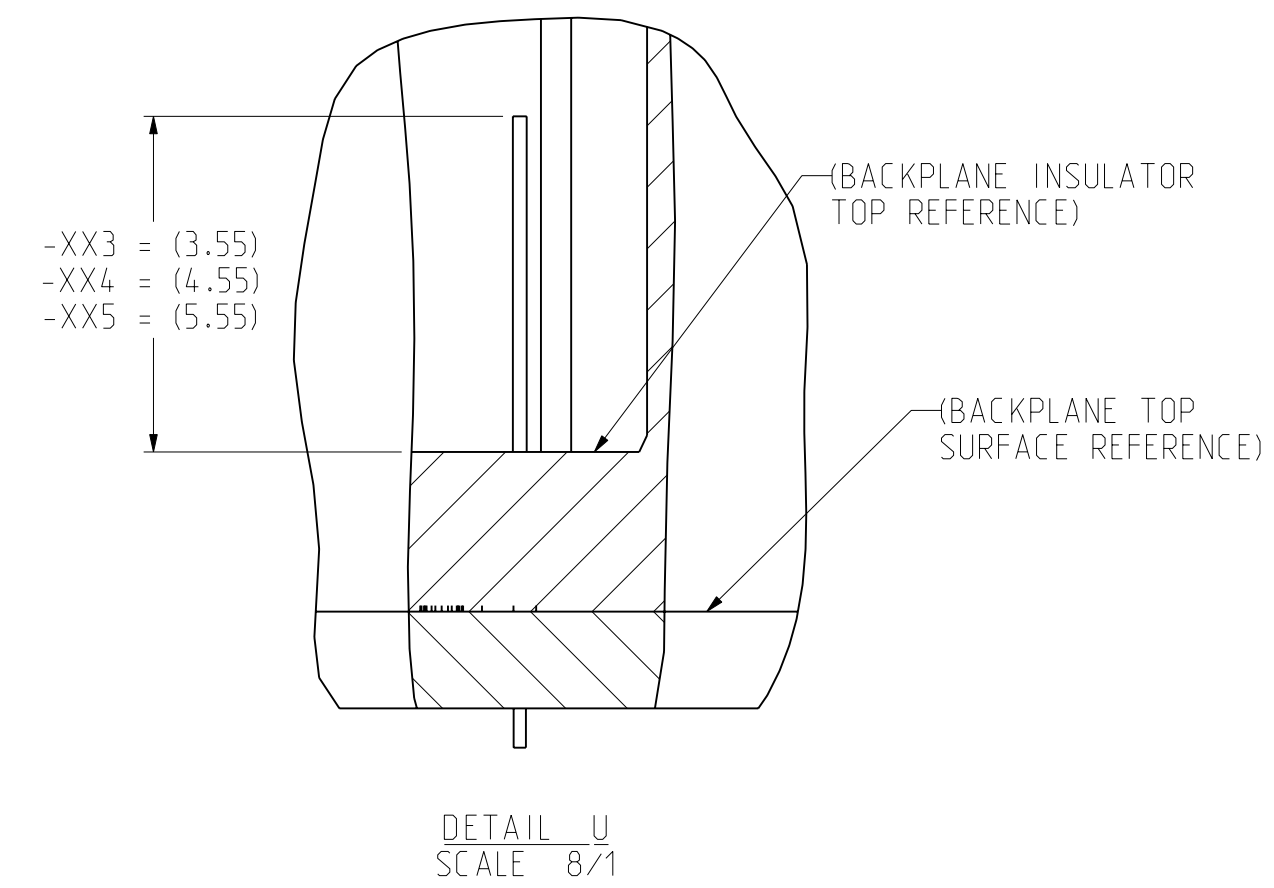
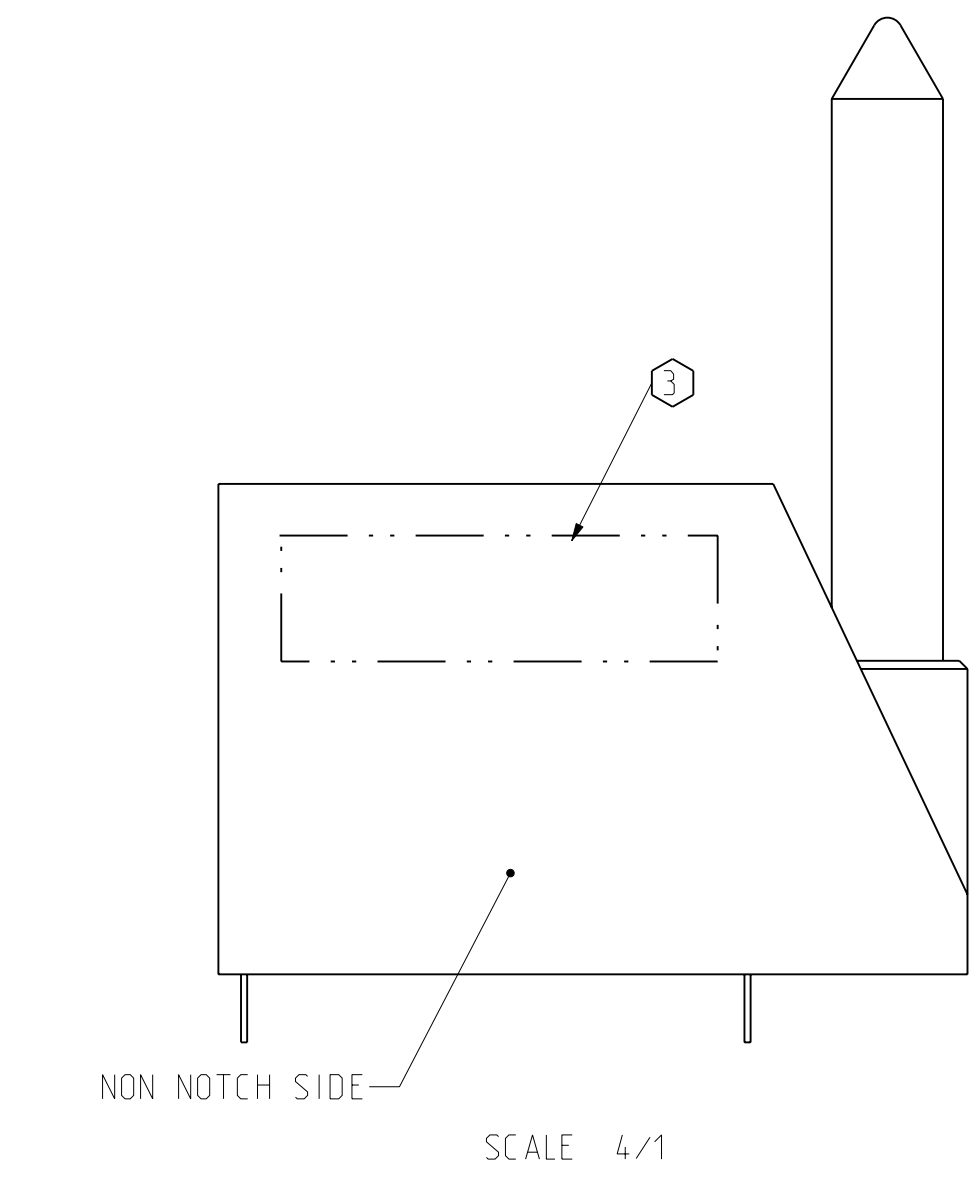
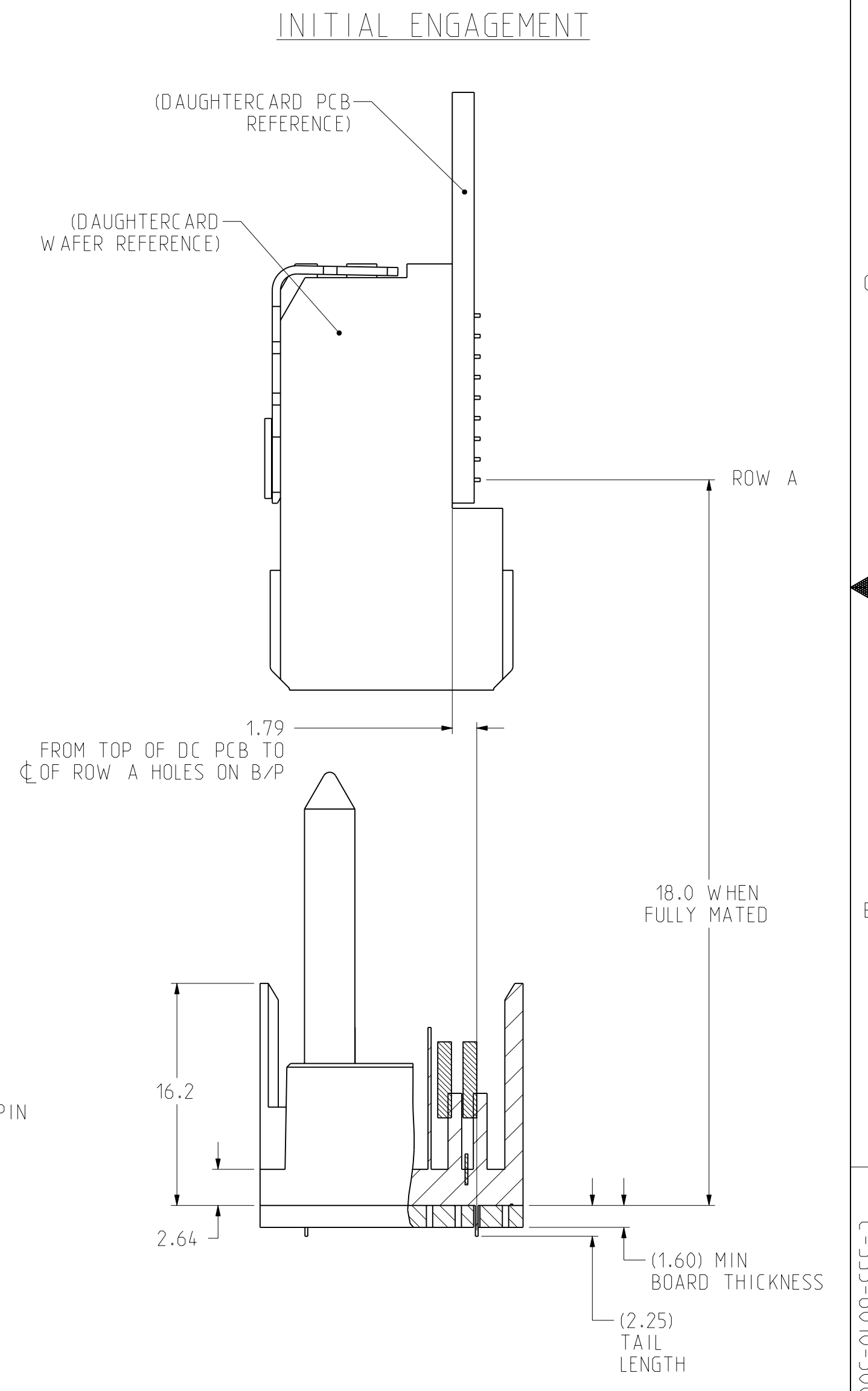
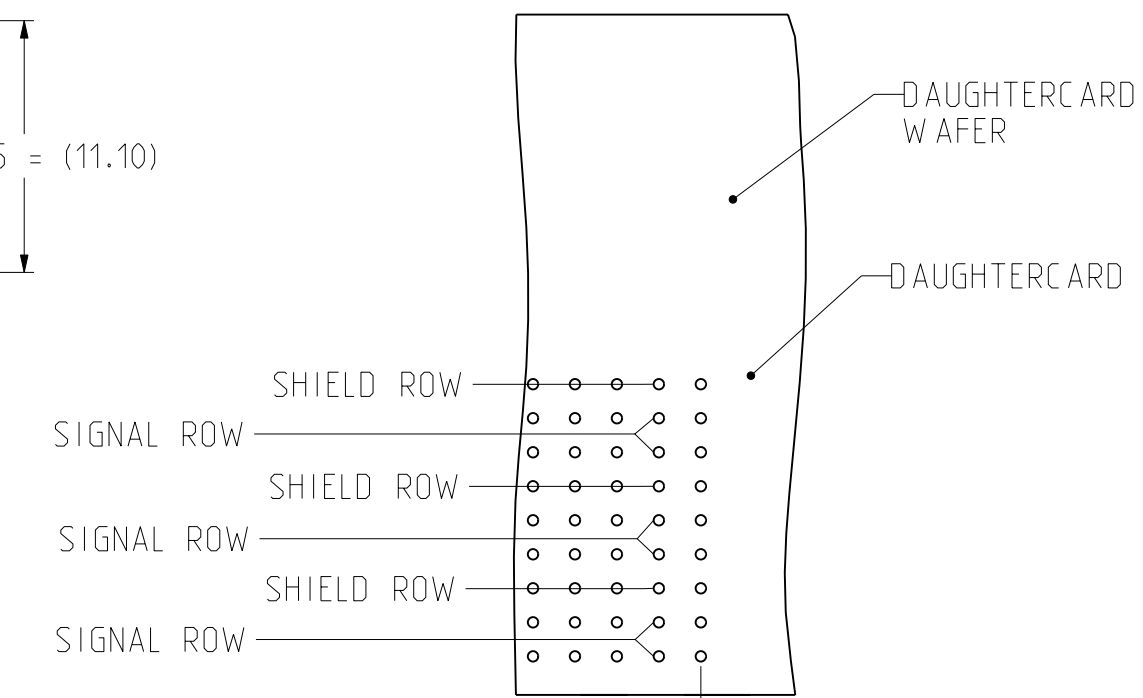
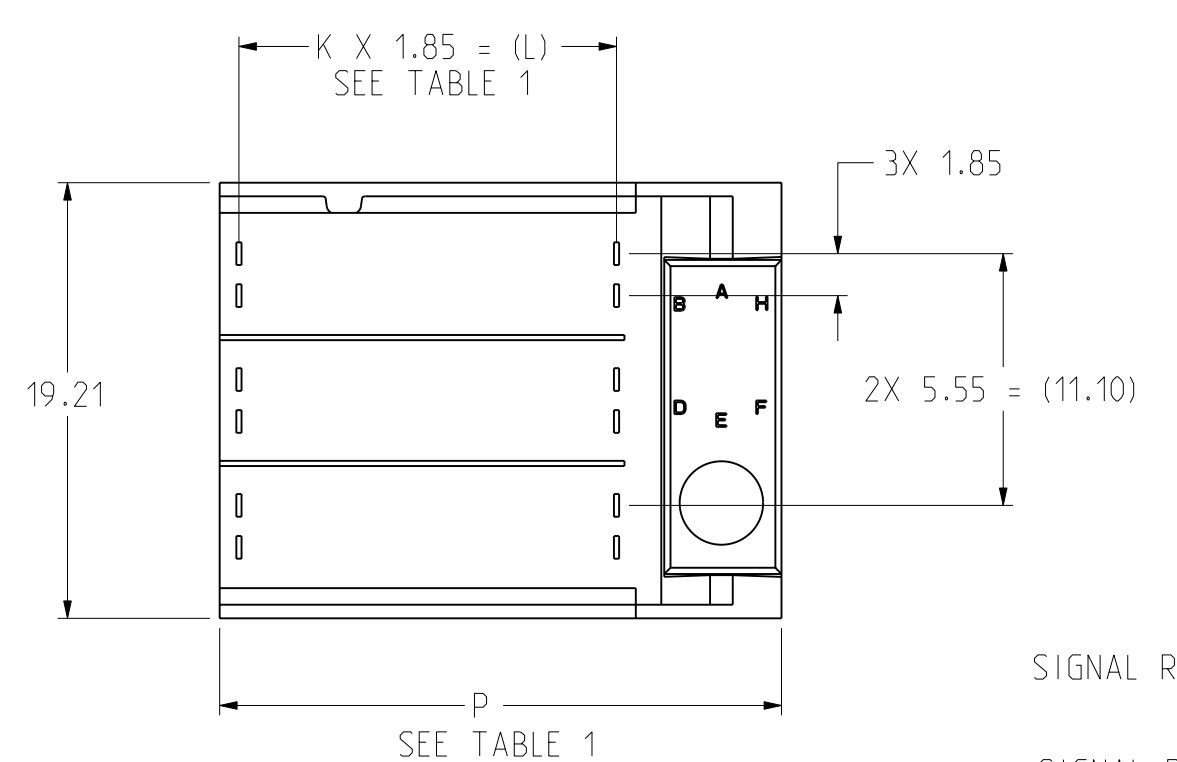


TABLE 1

ASSEMBLY PART NUMBER	REV	K	(L)	P	TOTAL NUMBER OF DIFFERENTIAL PAIRS
335-6005-XXX	B	4	(7.40)	15.53	15
335-6010-XXX	B	9	(16.65)	24.78	30
335-6025-XXX	B	24	(44.40)	52.53	75

TABLE 2

PART NUMBER 335-X0XX-(XXX)	-0XX	-AXX	-BXX	-CXX	-DXX	-EXX	-FXX	-GXX	-HXX
POLARIZING PIN ORIENTATION									



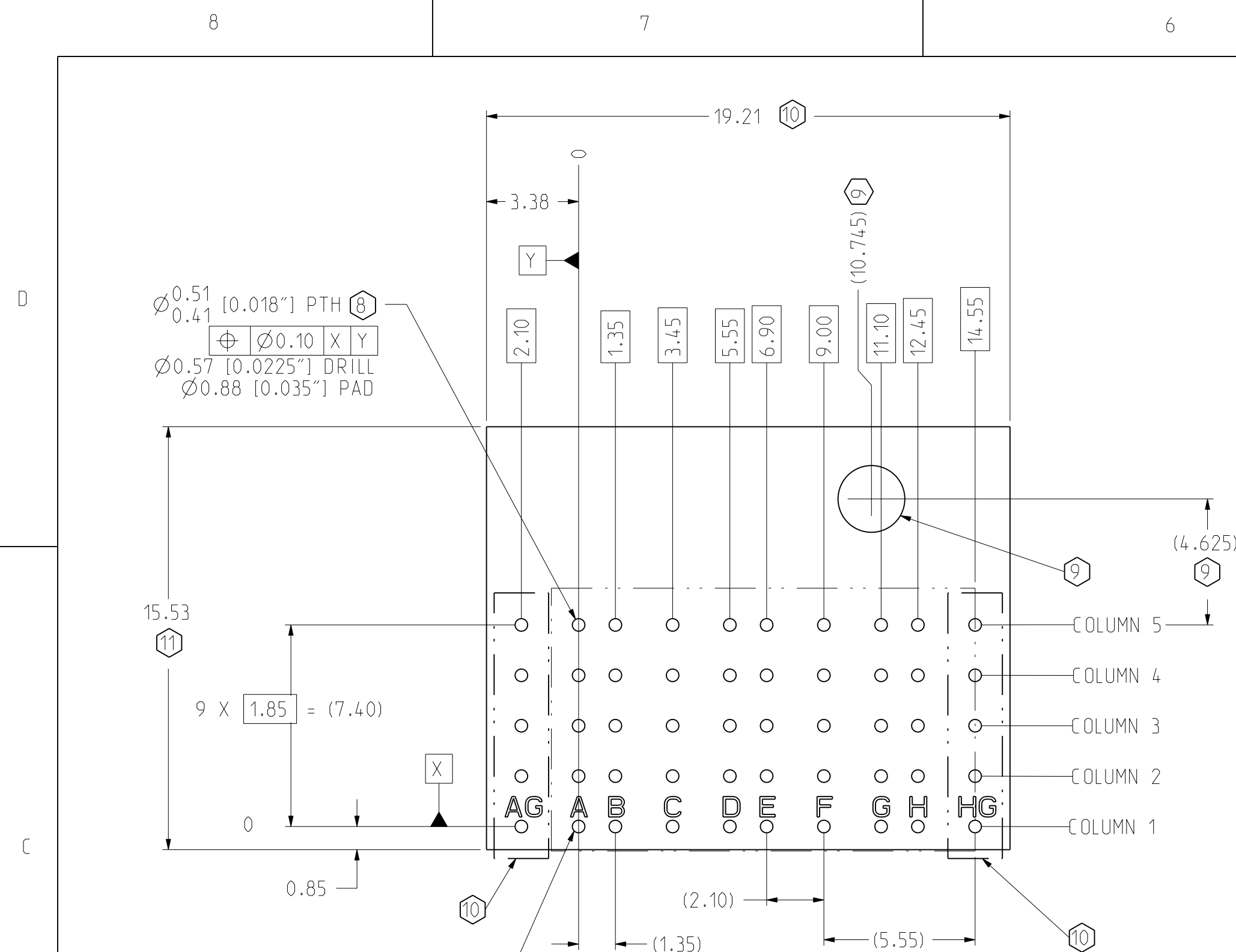
- NOTES:
- REFER TO TB-2085 FOR GbX PRODUCT SPECIFICATIONS.
 - NOTCH DESIGNATES "ROW A" SIDE OF SHROUD. NOTCH FEATURE ON OPPOSITE SIDE FROM PART MARKING.
 - PART MARKING AS FOLLOWS:
LINE 1: ATCS YYWWDHH ("ATCS" AND DATECODE).
LINE 2: MODULE PART NUMBER (335-####-###).
LINE 3: WORK ORDER NUMBER (#####), WHERE "*" DENOTES MANUFACTURING LOCATION.
 - PLATING THICKNESS OF SIGNAL CONTACT AND SHIELD CONTACTS IS DETERMINED BY PLATING CODE:
0 = 735 PER EGS-205 (30 MICROINCH GOLD PLATING ON MATING SURFACES).
1 = 732 PER EGS-205 (50 MICROINCH GOLD PLATING ON MATING SURFACES).
2 = 769 PER EGS-205 (30 MICROINCH GOLD PLATING ON MATING SURFACES, LEAD FREE).
3 = 768 PER EGS-205 (50 MICROINCH GOLD PLATING ON MATING SURFACES, LEAD FREE).
 - FOR REPAIR PROCEDURE FOR SIGNAL BLADE, SEE TB-2099.
 - USE MATING GAUGE PART NUMBER 693-1085-000 AFTER INSERTION ONTO BOARD TO CHECK POSITION OF BLADES.
 - IF THE 4TH DIGIT OF THE PART NUMBER IS A 7 OR 8, INDICATING A CUSTOM PART, DIGITS 5 THROUGH 10 ARE NOT SIGNIFICANT AND DO NOT FOLLOW THE PARADIGM IN THE TABLE.

TOLERANCES	DESIGN 11/26/02	M.DEROSA	Amphenol TCS
0.0	±0.25	DRAWN 12/03/02	A Division of Amphenol Corporation
0.00	±0.13	M.DEROSA	200 Innovative Way, Nashua, NH 03062 603.879.3000
0.000	± -	CHK 12/03/02	RICHARD
ANGLES	± 3°	APVD 02/25/05	D.SMITH
UNLESS OTHERWISE SPECIFIED DIMENSIONS ARE IN MM. DECIMAL MARKER IS PERIOD			TITLE RIGHT POLARIZED BACKPLANE MODULE 3 PAIR GbX
CUSTOMER USE DRAWING			PART NO. SEE TABLE 1
INTERPRET PER ASME Y14.5M			REV D
CODE IDENT 31413			DRAWING NO. C-335-6010-500
			ProE ASSEM S1-P1031-CU-RTPOL-10 P1031-CU-BP-RTPOL.drw
SIZE D	SCALE 3/1	SHEET 1 OF 2	

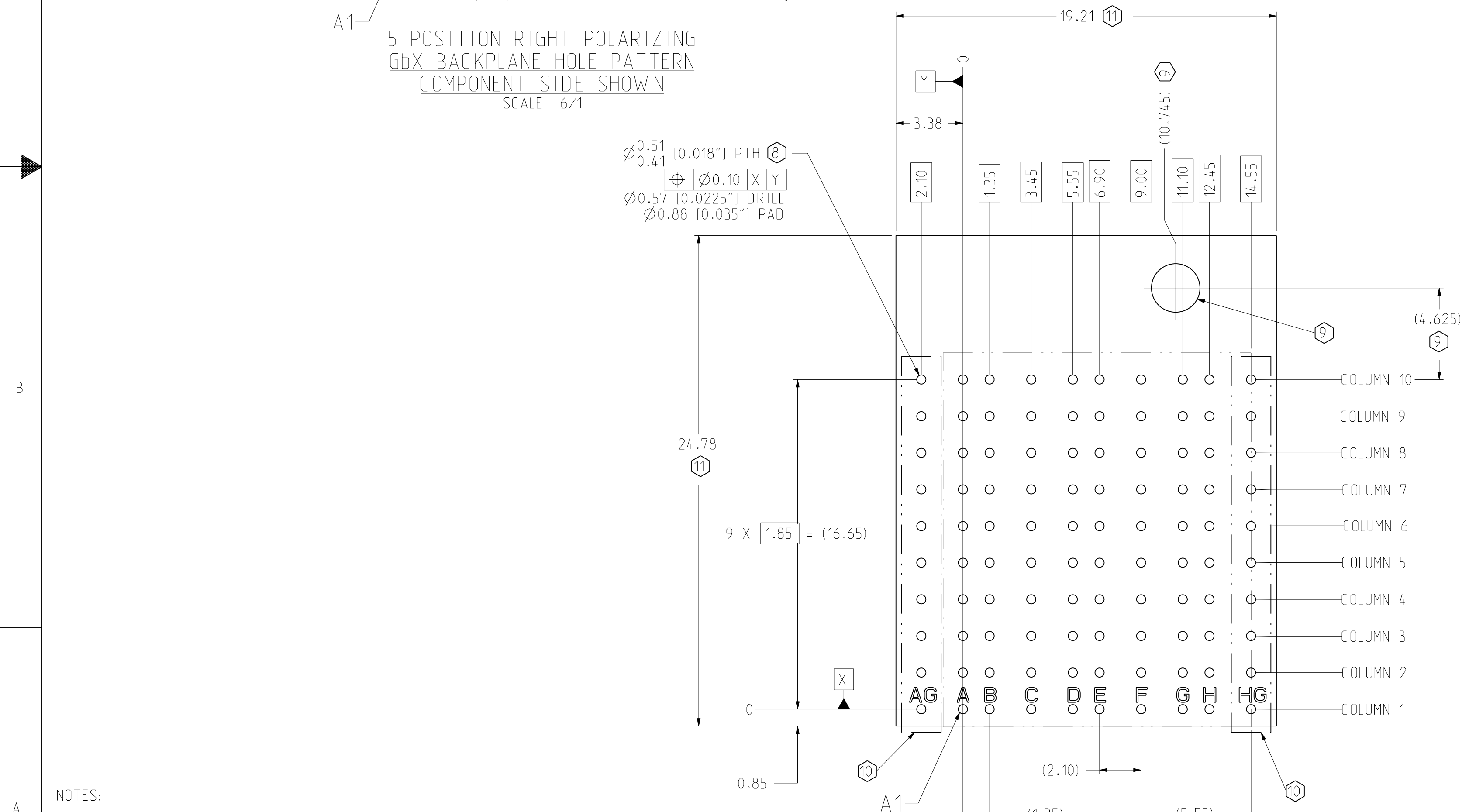
DRW NO. C-335-6010-500

SH 1 REV D

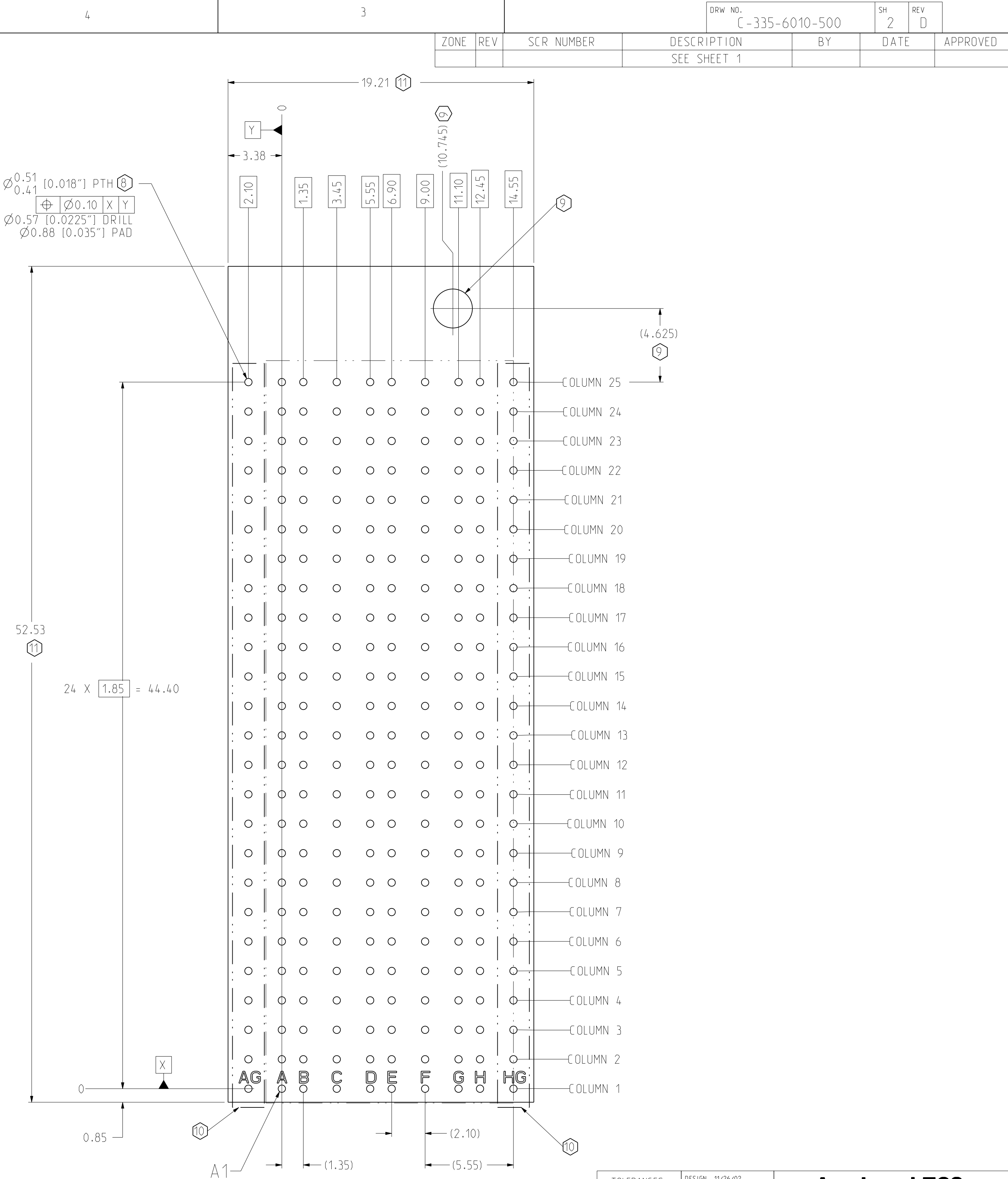
ZONE	REV	SCR NUMBER	DESCRIPTION	BY	DATE	APPROVED
			SEE SHEET 1			



5 POSITION RIGHT POLARIZING
GbX BACKPLANE HOLE PATTERN
COMPONENT SIDE SHOWN
SCALE 6/1



10 POSITION RIGHT POLARIZING
GbX BACKPLANE HOLE PATTERN
COMPONENT SIDE SHOWN
SCALE 6/1



25 POSITION RIGHT POLARIZING
GbX BACKPLANE HOLE PATTERN
COMPONENT SIDE SHOWN
SCALE 6/1

- NOTES:
- ⑧ STATED PAD SIZE MAY REQUIRE FILLING. FOR DETAILED ROUTING GUIDELINES, SEE TB-2090.
 - ⑨ OPTIONAL HOLE LOCATION FOR GROUNDED PIN OR ADDITIONAL GUIDE PIN SUPPORT. SEE DRAWING C-564-0471-000 FOR DETAIL AND LOCATION. FOR DC BOARD WEIGHT > 8IBS., REFER TO TB-2104 FOR PROPER GUIDE PIN SIZING.
 - ⑩ ADDITIONAL ROWS AG AND HG RECOMMENDED FOR ALL APPLICATIONS. (THESE ROWS SHOULD BE CONNECTED TO GROUND.)
 - ⑪ SEE DOCUMENT 190-0002-000 FOR KEEPOUT ZONES.

TOLERANCES	DESIGN	11/26/02
0.0	±0.25	M.DEROSA
0.00	±0.13	M.DEROSA
0.000	± -	R.RICHARD
ANGLES	± 3°	APVD 02/25/05

Amphenol TCS A Division of Amphenol Corporation 200 Innovative Way, Nashua, NH 03062 603.879.3000	
TITLE	RIGHT POLARIZED BACKPLANE MODULE 3 PAIR GbX
PART NO.	SEE TABLE 1
DRAWING NO.	C-335-6010-500
PROJ ASSEM	S1-P1031-CU-RTPOL-10 P1031-CU-BP-RTPOL.drw
SIZE	D SCALE 1/1 SHEET 2 OF 2

INTERPRET PER ASME Y14.5M
CODE IDENT 31413

CUSTOMER USE
DRAWING

DRW NO. C-335-6010-500

SH 2 REV D