

**Nominal diameter**   **Withdraw. force**   **Rated current**   **Contact resistance**

**Type**

**Part No.**

2 mm   -   10 A   0.8 mΩ

**LB-IF 2 R**

**23.0060**  
with hex nut

**23.0020**  
with round nut

Screw-in panel mount jack 2 mm (.080 in) dia., spring-loaded with gold plated MC<sup>®</sup>-Multilam<sup>™</sup>, polyamide insulated.

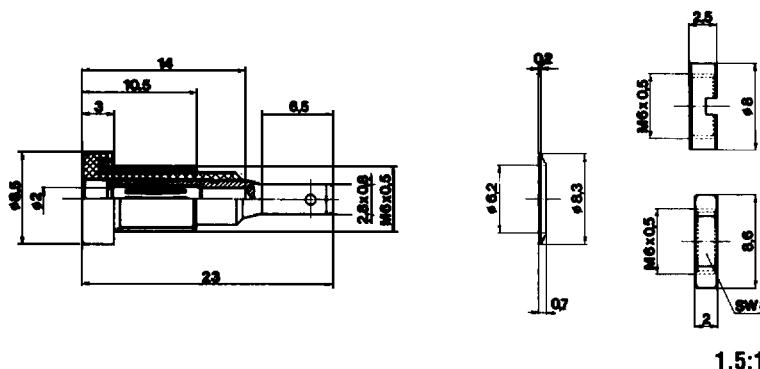
Machined brass, optalloy<sup>®</sup> plated, metal threaded jacket for high mounting strength with flat tab 2.8 x 0.8 mm (.110 x .031 in).

Components and ratings:

- Jack BI-LB-IF2R ..... # 23.5021
- Hex nut Mu/M6x0.5 ..... # 23.5104
- Washer Sp 2 ..... # 23.5105
- Round nut MuR/M6x0.5 ..... # 23.5100
- Breakdown/flashover voltage with ..... 5000 V  
3 mm (.120 in) panel thickness
- Test voltage: ..... 2000 V

Colors: 0 - 9

Tool: Special spanner SS 2 #25.0022 (for round nuts)



2 mm   -   10 A   -

**LB-I 2 R**

**23.0030**  
with hex nut

**23.0040**  
with round nut

Screw-on panel mount jack 2 mm (.080 in) dia., polyamide insulated.

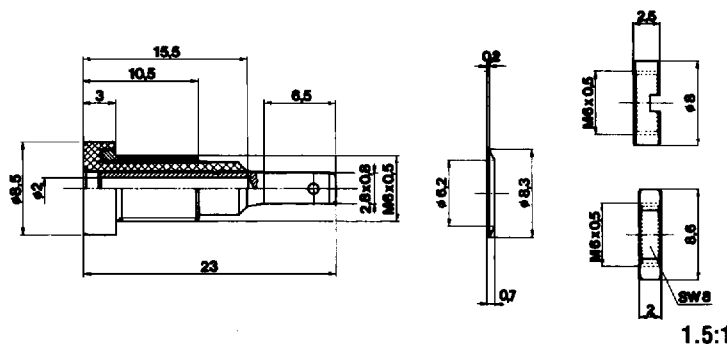
Machined brass, optalloy<sup>®</sup> plated, metal threaded jacket for high mounting strength with flat tab 2.8 x 0.8 mm (.110 x .031 in).

Components and ratings:

- Jack BI-LB-I2R ..... # 23.5059
- Round nut MuR/M6x0.5 ..... # 23.5100
- Hex nut Mu/M6x0.5 ..... # 23.5104
- Washer Sp2 ..... # 23.5105
- Breakdown/flashover voltage with  
3 mm (.120 in) panel thickness: ..... 5000 V
- Test voltage: ..... 2000 V
- Operating temperature: ..... -10°C to +80°C  
(14°F to 176°F)

Colors: 0 - 9

Tool: Special spanner SS 2, ..... # 25.0022  
(for round nuts)



Accessory:

- Flat push-on terminal FSH 2.8 x 0.8 mm  
(.110 x .031 in) brass, gold plated,  
for conductors 0.5 - 1 mm<sup>2</sup> (20 -17 AWG)  
FSH 2.8 x 0.8 mm ..... # 23.5200