

SPECIFICATIONS

Mechanical

Contact Retention Force: 1.0Kg min.

Electrical

Voltage Rating: 750V

Current Rating: 1A

Contact Resistance: 45mΩ max.

Dielectrical Withstanding Voltage: 1000V

Insulation Resistance: 1000MΩ min.

Physical

Housing: LCP, UL 94-0 rated, Ivory White

Contact: Phosphor Bronze

Plating: See "ORDERING INFORMATION"

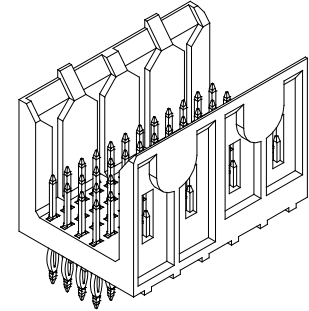
FUTURE BUS CONNECTOR

1F Series

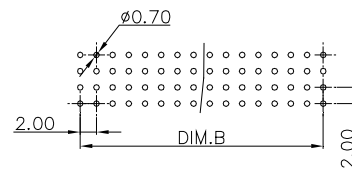
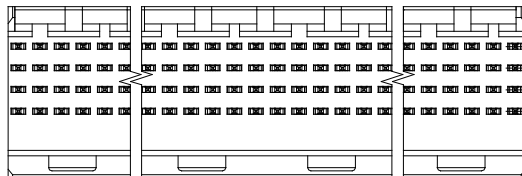
Header Press Fit Type

2.0mm Pitch

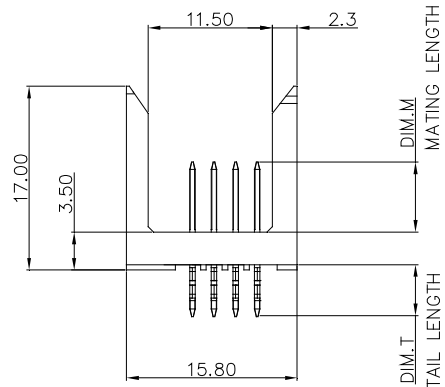
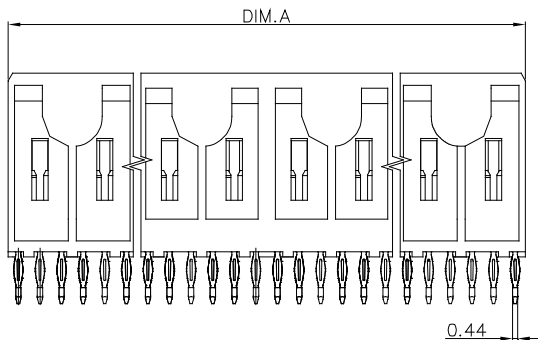
4 Rows



DRAWING



RECOMMENDED P.C.B. LAYOUT



ORDERING INFORMATION

PRODUCT NO.: 1 F 1 1 * * * * - P * * 1 0 * - * *

POS. NO.:

024=024 pos.

048=048 pos.

096=096 pos.

192=192 pos.

Mating Area Plating:

1=GOLD FLASH

3=0.76um(30u")MIN. GOLD PLATING

5=1.27um(50u")MIN. GOLD PLATING

6=0.25um(10u")MIN. GOLD PLATING

A=0.76um(30u")MIN. FPT PLATING,
0.25um(10u")MIN. GOLD INCLUDED

Tail Style:

P=Press Fit

Lead Free Code:

N=None

F=Lead Free

Package Type:

A=Tube

Extension Code:

N,T,L,M

BODY STYLE

10=Standard Part

Mating Length(DIM.M)

1=5.00 mm

2=5.75 mm

3=6.50 mm

4=7.25 mm

5=8.00 mm

Tail Length(DIM.T)

1=4.30mm

1F11024*-P***10*-*	24	11.90	10.00
1F11048*-P***10*-*	48	23.90	22.00
1F11096*-P***10*-*	96	47.90	46.00
1F11192*-P***10*-*	192	95.90	94.00
P/N	POS.	DIM. A	DIM. B