

Interconnection Cord with Plug "E-Horizontal", Angled



Description

Interconnection Cord, Protection class I, Pin temperature 70 °C, Cable

Approvals

- VDE Certificate Number: 103264
- UL File Number: E45116
- CSA File Number: 32338

References

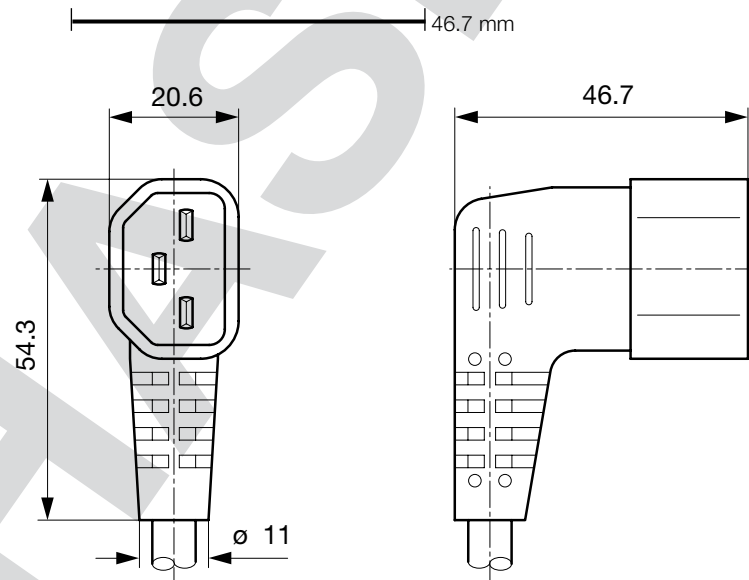
Weblinks

[pdf, General Product Information, Approvals, RoHS, CHINA-RoHS, Mating Connectors, e-Store, SCHURTER-Stock-Check, Distributor-Stock-Check, Accessories](#)

Technical Data

Ratings IEC	10 A / 250 VAC; 50 Hz
Ratings UL/CSA	10 A / 250 VAC; 60 Hz
Dielectric Strength	> 4 kVDC between L-N > 2 kVAC between L/N-PE (1 min/50 Hz)
Allowable Operation Temp.	-25 °C to 70 °C
Degree of Protection	from front side IP 20 acc. to IEC 60529
Protection Class	Suitable for appliances with protection class 1 acc. to IEC 61140
Terminal	moulded
Material: Housing	PVC, black or grey

Dimensions



Config. Code

0408 - R - Type - D - Length

The characters are placeholders for the correspondingly keys of selections from the key tables.
Typ steht für die Dose bzw. 2. Seite, Länge ist die Leitungslänge in mm.

0408 - R - Type - D - Length = cord type

cord type	Configuration key
H03VV-F 3G0,75mm2	C
H05VV-F 3G0,75mm2	G
H05VV-F 3G1,0mm2	I
SVT 3x18AWG	N
SJT 3x18AWG	P

Cord definition is detailed in general product information XXX

0408 - R - Type - D - Length = Cord end 2

Cord end 2
zzzz, 3013

0408 - R - Type - D - Length = Color

Color	Configuration key
jet black; RAL9005	A
silver grey; RAL7001	B

0408 - R - Type - D - Length = Cord length

Cord length
zzzz, 001500, 002000, 002500, 003000, 005000

Cord length in mm

Mating Outlets/Connectors

Category / Description



[ConnectorOverview complete](#)

Appliance Outlet "F-Horizontal", Snap-in Mounting, Front Side, Solder or Quick-connect Terminal	4093
Appliance Outlet "F-Horizontal", Screw-on Mounting, Front Side, Solder or Quick-connect Terminal	4098

[Connectorfurther types to0408](#)