



FCconnect.com

Copyright FCJ



A

C

D

List of "SFV\_\_R-1/2STE1LF" customer document

| DOCUMENT NO. | LIST  |
|--------------|---|
| SC-SFV03     | SPEC.   |
| JSA96144     | CAT.NO.TABLE FOR 0.5mm CONTACT SPACING CONNECTOR (SFV__R-1/2ST_LF)                        |
| JSA96145     | CONNECTOR USED FOR FPC/FFC WITH 0.5mm CONTACT SPACING (SFV__R-1ST_LF)                     |
| JSA96146     | CONNECTOR USED FOR FPC/FFC WITH 0.5mm CONTACT SPACING (SFV__R-2ST_LF)                     |
| JSA96147     | CAT.NO.TABLE FOR PLASTIC TAPE PACKAGED 0.5mm CONTACT SPACING CONNECTOR (SFV__R-1/2STE1LF) |
| JSA96148     | PLASTIC TAPE PACKAGED 0.5mm CONTACT SPACING CONNECTOR (SFV__R-1STE1LF)                    |
| JSA96149     | PLASTIC TAPE PACKAGED 0.5mm CONTACT SPACING CONNECTOR (SFV__R-2STE1LF)                    |
| JSA92456     | RECOMMENDED CABLE (FPC) (SFV__R-1/2ST__)  |
| JSA92457     | RECOMMENDED CABLE (FFC) (SFV__R-1/2ST__)  |
| BJM-SFV101   | HANDLING PROCEDURES   |

|             |          |                |           |  |  |                            |  |            |  |   |  |  |  |        |  |
|-------------|----------|----------------|-----------|--|--|----------------------------|--|------------|--|---|--|--|--|--------|--|
| mat'l. code |          |                |           | surface ISO 1302 <input checked="" type="checkbox"/> |  | tolerance ISO 406 ISO 1101 |  | projection |  | product family 58EF   |  |  |  |        |  |
| ltr         | ecn no   | dr             | date      | tolerances unless otherwise specified                |  |                            |  |            |  | title   |  |  |  |        |  |
| A           | J04-0462 | H.T            | '04/12/17 | angles   |  | linear                     |  |            |  | 0.5mm SPACING FPC/FFC CONNECTOR DOCUMENT LIST (Cat. No. : SFV__R-1/2STE1LF) |  |  |  |        |  |
| B           | J05-0227 | H.T            | '05/4/14  |  |  |                            |  |            |  | dwg no sheet 1 of 1 size  |  |  |  |        |  |
| C           | J06-0372 | H.T            | '06/9/7   |  |  |                            |  |            |  | JSA 96143 A4  |  |  |  |        |  |
| sheet index |          | revision sheet |           | C 1  |  |                            |  |            |  |   |  |  |  | Rev. C |  |
|             |          |                |           |  |  |                            |  |            |  |   |  |  |  |        |  |

form: A4

1

2

A

B

C

D

CAT. NO. & DIMENSIONS

| NO. OF CONTACTS (n) | CAT. NO.         | DIMENSIONS (NOTE2) |         |         |         |
|---------------------|------------------|--------------------|---------|---------|---------|
|                     |                  | A ± 0.2            | B ± 0.2 | C ± 0.1 | D ± 0.1 |
| 4                   | SFV4R-1/2ST__LF  | 7.5                | 5.9     | 1.5     | 2.7     |
| 5                   | SFV5R-1/2ST__LF  | 8.0                | 6.4     | 2.0     | 3.2     |
| 6                   | SFV6R-1/2ST__LF  | 8.5                | 6.9     | 2.5     | 3.7     |
| 7                   | SFV7R-1/2ST__LF  | 9.0                | 7.4     | 3.0     | 4.2     |
| 8                   | SFV8R-1/2ST__LF  | 9.5                | 7.9     | 3.5     | 4.7     |
| 9                   | SFV9R-1/2ST__LF  | 10.0               | 8.4     | 4.0     | 5.2     |
| 10                  | SFV10R-1/2ST__LF | 10.5               | 8.9     | 4.5     | 5.7     |
| 11                  | SFV11R-1/2ST__LF | 11.0               | 9.4     | 5.0     | 6.2     |
| 12                  | SFV12R-1/2ST__LF | 11.5               | 9.9     | 5.5     | 6.7     |
| 13                  | SFV13R-1/2ST__LF | 12.0               | 10.4    | 6.0     | 7.2     |
| 14                  | SFV14R-1/2ST__LF | 12.5               | 10.9    | 6.5     | 7.7     |
| 15                  | SFV15R-1/2ST__LF | 13.0               | 11.4    | 7.0     | 8.2     |
| 16                  | SFV16R-1/2ST__LF | 13.5               | 11.9    | 7.5     | 8.7     |
| 17                  | SFV17R-1/2ST__LF | 14.0               | 12.4    | 8.0     | 9.2     |
| 18                  | SFV18R-1/2ST__LF | 14.5               | 12.9    | 8.5     | 9.7     |
| 19                  | SFV19R-1/2ST__LF | 15.0               | 13.4    | 9.0     | 10.2    |
| 20                  | SFV20R-1/2ST__LF | 15.5               | 13.9    | 9.5     | 10.7    |
| 21                  | SFV21R-1/2ST__LF | 16.0               | 14.4    | 10.0    | 11.2    |
| 22                  | SFV22R-1/2ST__LF | 16.5               | 14.9    | 10.5    | 11.7    |
| 23                  | SFV23R-1/2ST__LF | 17.0               | 15.4    | 11.0    | 12.2    |
| 24                  | SFV24R-1/2ST__LF | 17.5               | 15.9    | 11.5    | 12.7    |
| 25                  | SFV25R-1/2ST__LF | 18.0               | 16.4    | 12.0    | 13.2    |
| 26                  | SFV26R-1/2ST__LF | 18.5               | 16.9    | 12.5    | 13.7    |
| 27                  | SFV27R-1/2ST__LF | 19.0               | 17.4    | 13.0    | 14.2    |
| 28                  | SFV28R-1/2ST__LF | 19.5               | 17.9    | 13.5    | 14.7    |
| 29                  | SFV29R-1/2ST__LF | 20.0               | 18.4    | 14.0    | 15.2    |
| 30                  | SFV30R-1/2ST__LF | 20.5               | 18.9    | 14.5    | 15.7    |
| 31                  | SFV31R-1/2ST__LF | 21.0               | 19.4    | 15.0    | 16.2    |
| 32                  | SFV32R-1/2ST__LF | 21.5               | 19.9    | 15.5    | 16.7    |
| 33                  | SFV33R-1/2ST__LF | 22.0               | 20.4    | 16.0    | 17.2    |
| 34                  | SFV34R-1/2ST__LF | 22.5               | 20.9    | 16.5    | 17.7    |
| 35                  | SFV35R-1/2ST__LF | 23.0               | 21.4    | 17.0    | 18.2    |

CAT. NO. SFV (n) R - 1 ST \_\_ LF

SERIES NAME

NO. OF CONTACTS

RIGHT ANGLE TYPE

FOR FPC/FFC, CONTACT DIRECTION

1. LOWER CONTACT TYPE  
2. UPPER CONTACT TYPE

FOR AUTOMATIC MOUNTING (SMT)

PACKAGE STYLE

LEAD FREE

NOTES

- THIS PRODUCT IS THE CONNECTOR USED FOR FPC AND COPES WITH AUTOMATIC MOUNTING (SMT).
- SEE PART DRAWINGS FOR DIMENSIONS A-D.

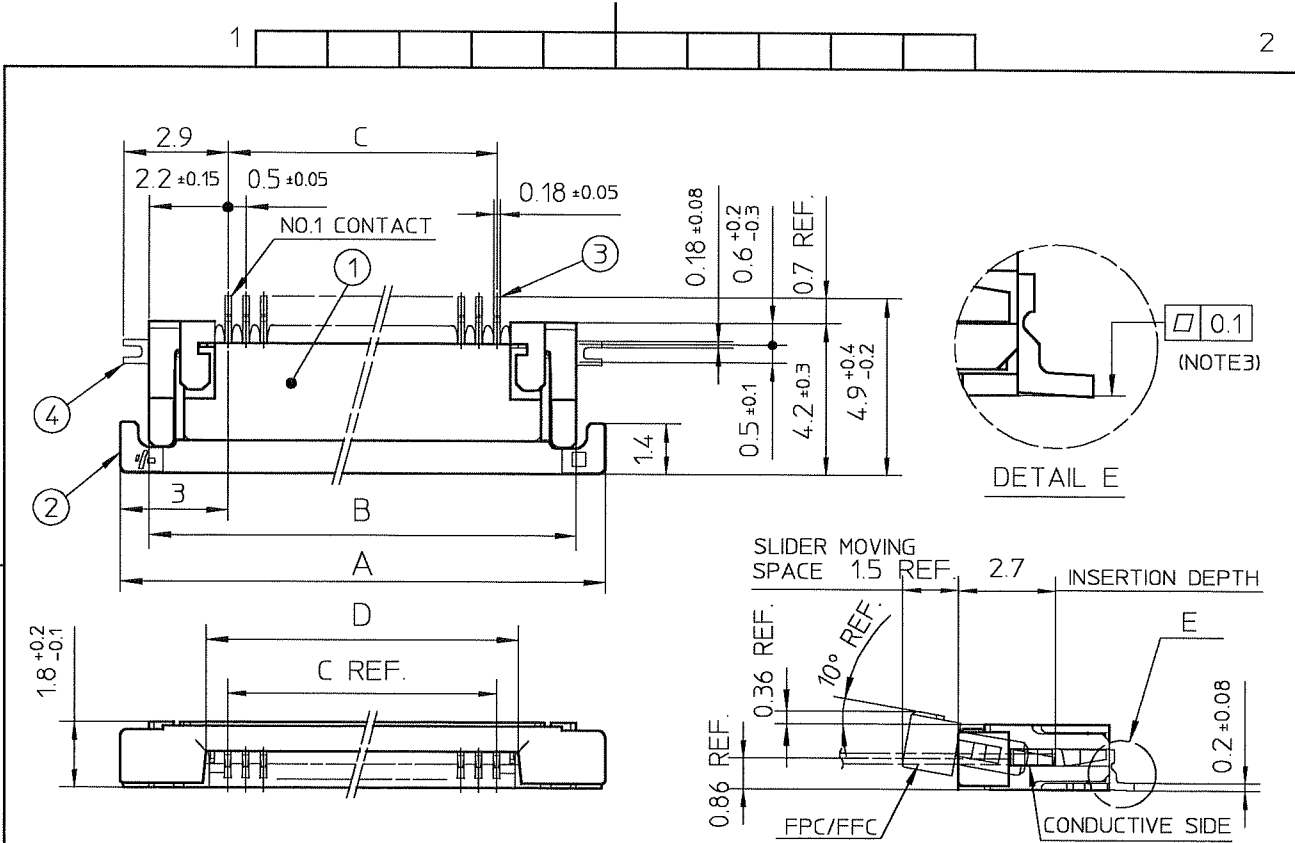


FCIconnect.com

Copyright FCI

|                          |  |                |  |                                       |  |                            |  |            |  |   |  |        |  |
|--------------------------|--|----------------|--|---------------------------------------|--|----------------------------|--|------------|--|---|--|--------|--|
| mat'l. code              |  |                |  | surface ISO 1302 ✓                    |  | tolerance ISO 406 ISO 1101 |  | projection |  | product family 58EF   |  |        |  |
| ltr ecn no dr date       |  |                |  | tolerances unless otherwise specified |  |                            |  |            |  | title   |  |        |  |
| A J04-0462 H.T '04/12/17 |  |                |  | angles linear                         |  |                            |  |            |  | CAT. NO. TABLE FOR 0.5 mm CONTACT SPACING CONNECTOR (Cat. No. : SFV__R-1/2ST__LF) |  |        |  |
| B J05-0227 H.T '05/4/14  |  |                |  |                                       |  |                            |  |            |  | dwg no sheet 1 of 1 size  |  |        |  |
| C J06-0372 H.T '06/9/17  |  |                |  | dr <i>H. Shukla</i> 9/9/06            |  |                            |  |            |  | JSA 96144 A4  |  |        |  |
|                          |  |                |  | engr <i>H. Shukla</i> 9/9/06          |  |                            |  |            |  | type Product Customer Drawing   |  |        |  |
|                          |  |                |  | chr <i>R. Shour</i> 9/8/06            |  |                            |  |            |  |   |  |        |  |
|                          |  |                |  | appd <i>S. Radwan</i> 9/11/06         |  |                            |  |            |  |   |  |        |  |
| sheet index              |  | revision sheet |  | C 1                                   |  |                            |  |            |  |   |  | Rev. C |  |

SC-SFV03 JSA96145, 96146, 96147, 96148, 96149, 92456, 92457 form: A4

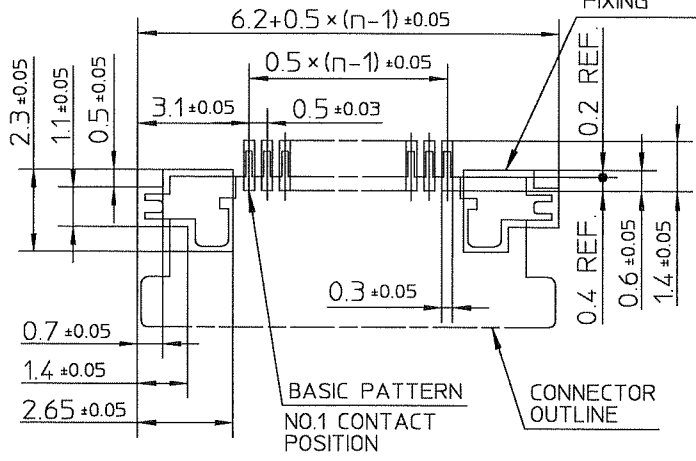


| PT. NO. | PARTS NAME     | MATERIAL                                   | Q'TY | NOTE   |
|---------|----------------|--|------|--|
| 1       | HOUSING        | POLYAMIDE RESIN GLASS REINFORCED (UL94V-0) | 1    | COLOR : BLACK  |
| 2       | SLIDER         | PPS RESIN GLASS REINFORCED (UL94V-0)       | 1    | COLOR : BROWN  |
| 3       | CONTACT        | PHOSPHOR BRONZE                            | n    | PLATING : MATTE PURE TIN<br>Ni UNDER PLATED<br>(LEAD FREE) |
| 4       | MOUNTING PLATE |  | 2    |  |

RECOMMENDED PC BOARD LAYOUT  
(COMPONENT SIDE)

PATTERN FOR MOUNTING PLATE  
FIXING

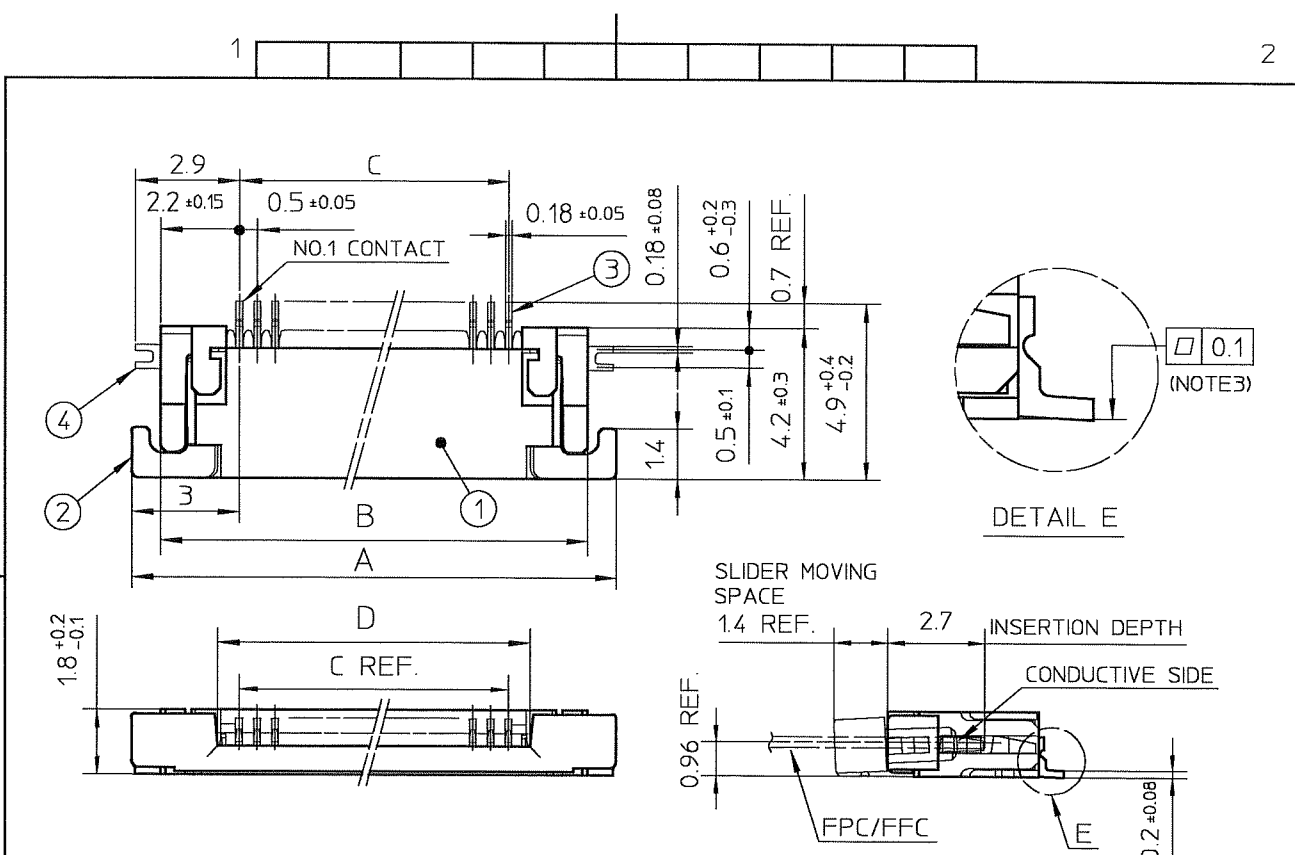
n : NO. OF CONTACTS



- NOTES
- 1.THIS PRODUCT IS THE CONNECTOR USED FOR FPC/FFC AND COPE WITH AUTOMATIC MOUNTING (SMT).
  - 2.THIS PRODUCT IS LOWER CONTACT TYPE CONNECTOR.
  - 3.FLATNESS OF CONTACT TERMINAL AND MOUNTING PLATE MUST BE WITHIN TOLERANCE IN E PORTION DETAILED DRAWING.
  - 4.THIS PRODUCT MEETS EUROPEAN UNION DIRECTIVES AND OTHER COUNTRY REGULATIONS AS DESCRIBED IN GS-22-008.
  - 5.THE HOUSING WILL WITHSTAND EXPOSURE TO 260°C PEAK TEMPERATURE FOR 10 SECONDS IN A REFLOW SOLDERING OVEN.

|                          |  |                |  |                                       |  |                            |  |            |  |   |  |
|--------------------------|--|----------------|--|---------------------------------------|--|----------------------------|--|------------|--|---|--|
| mat'l. code              |  |                |  | surface ISO 1302 ✓                    |  | tolerance ISO 406 ISO 1101 |  | projection |  | product family 58EF   |  |
| ltr ecn no dr date       |  |                |  | tolerances unless otherwise specified |  | angles linear ±0.2         |  | title      |  | CONNECTOR USED FOR FPC/FFC WITH 0.5 mm CONTACT SPACING (Cat No. : SFV__R-1ST__LF) |  |
| A J04-0462 H.T '04/12/17 |  |                |  |                                       |  |                            |  | scale X    |  | dwg no sheet 1 of 1 size  |  |
| B J05-0227 H.T '05/4/14  |  |                |  |                                       |  |                            |  | FCJ        |  | JSA 96145 A4  |  |
| C J05-0710 H.T '05/10/21 |  |                |  |                                       |  |                            |  |            |  | type Product Customer Drawing   |  |
| D J06-0064 H.T '06/2/23  |  |                |  | dr 9/9/06                             |  |                            |  |            |  |   |  |
| E J06-0372 H.T '06/9/17  |  |                |  | engr 9/9/06                           |  |                            |  |            |  |   |  |
|                          |  |                |  | chr 9/8/06                            |  |                            |  |            |  |   |  |
|                          |  |                |  | appd 9/10/06                          |  |                            |  |            |  |   |  |
| sheet index              |  | revision sheet |  | E 1                                   |  |                            |  |            |  | Rev. E  |  |

SC-SFV03 JSA96144 form: A4

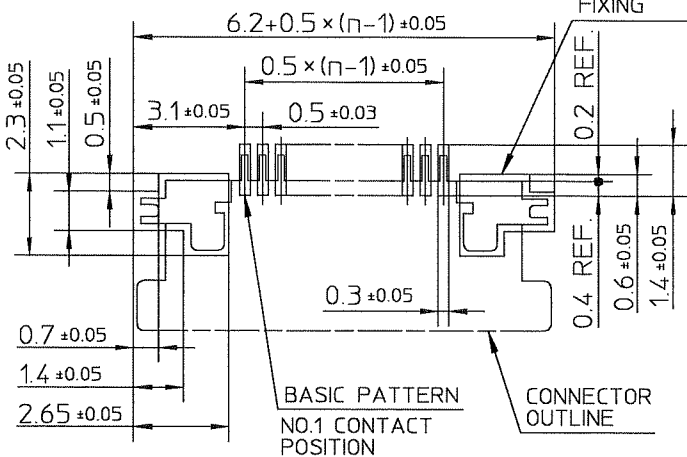


| PT. NO. | PARTS NAME     | MATERIAL                                   | Q'TY | NOTE   |
|---------|----------------|--|------|--|
| 1       | HOUSING        | POLYAMIDE RESIN GLASS REINFORCED (UL94V-0) | 1    | COLOR : BLACK  |
| 2       | SLIDER         | PPS RESIN GLASS REINFORCED (UL94V-0)       | 1    | COLOR : BROWN  |
| 3       | CONTACT        | PHOSPHOR BRONZE                            | n    | PLATING : MATTE PURE TIN<br>Ni UNDER PLATED<br>(LEAD FREE) |
| 4       | MOUNTING PLATE |  | 2    |  |

RECOMMENDED PC BOARD LAYOUT  
(COMPONENT SIDE)

PATTERN FOR MOUNTING PLATE  
FIXING

n : NO. OF CONTACTS



NOTES

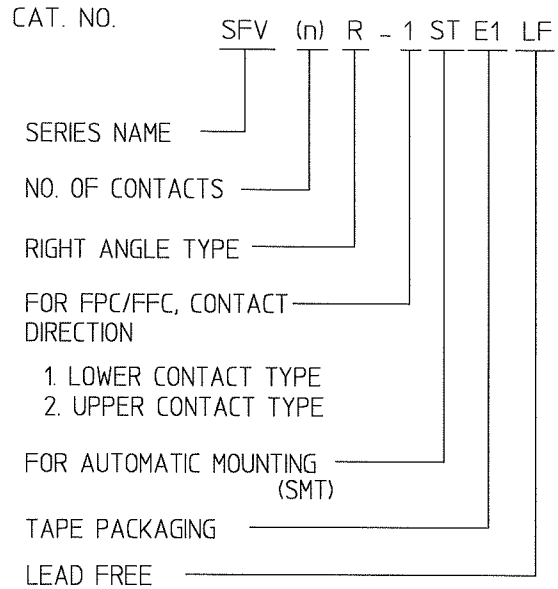
1. THIS PRODUCT IS THE CONNECTOR USED FOR FPC/FFC AND COPES WITH AUTOMATIC MOUNTING (SMT).
2. THIS PRODUCT IS UPPER CONTACT TYPE CONNECTOR.
3. FLATNESS OF CONTACT TERMINAL AND MOUNTING PLATE MUST BE WITHIN TOLERANCE IN E PORTION DETAILED DRAWING.
4. THIS PRODUCT MEETS EUROPEAN UNION DIRECTIVES AND OTHER COUNTRY REGULATIONS AS DESCRIBED IN GS-22-008.
5. THE HOUSING WILL WITHSTAND EXPOSURE TO 260°C PEAK TEMPERATURE FOR 10 SECONDS IN A REFLOW SOLDERING OVEN.

|                          |  |                |  |                                       |  |                            |  |                               |  |   |  |
|--------------------------|--|----------------|--|---------------------------------------|--|----------------------------|--|-------------------------------|--|---|--|
| mat'l. code              |  |                |  | surface ISO 1302 ✓                    |  | tolerance ISO 406 ISO 1101 |  | projection                    |  | product family 58EF   |  |
| litr ecn no dr date      |  |                |  | tolerances unless otherwise specified |  |                            |  | title                         |  | CONNECTION USED FOR FPC/FFC WITH 0.5 mm CONTACT SPACING (Cat. No. : SFV__R-2ST__LF) |  |
| A J04-0462 H.T '04/12/17 |  |                |  | angles                                |  | ±0.2                       |  | scale X                       |  | sheet 1 of 1  |  |
| B J05-0227 H.T '05/4/14  |  |                |  | linear                                |  |                            |  | FCJ                           |  | size A4   |  |
| C J05-0710 H.T '05/10/21 |  |                |  | dr                                    |  | 9/9/06                     |  | dwg no                        |  | JSA 96146   |  |
| D J06-0064 H.T '06/2/23  |  |                |  | engr                                  |  | 9/9/06                     |  | type Product Customer Drawing |  | Rev. E  |  |
| E J06-0372 H.T '06/9/17  |  |                |  | chr                                   |  | 9/8/06                     |  |                               |  |   |  |
|                          |  |                |  | appd                                  |  | 9/11/06                    |  |                               |  |   |  |
| sheet index              |  | revision sheet |  | E 1                                   |  |                            |  |                               |  |   |  |

SC-SFV03 JSA96144 form: A4

CAT. NO. & DIMENSIONS

| NO. OF CONTACTS (n) | CAT. NO.         | DIMENSIONS (NOTE3) |         |         |
|---------------------|------------------|--------------------|---------|---------|
|                     |                  | F ± 5              | G ± 0.3 | H ± 0.1 |
| 4                   | SFV4R-1/2STE1LF  | 20.4               | 16      | —       |
| 5                   | SFV5R-1/2STE1LF  | 20.4               | 16      | —       |
| 6                   | SFV6R-1/2STE1LF  | 20.4               | 16      | —       |
| 7                   | SFV7R-1/2STE1LF  | 28.4               | 24      | —       |
| 8                   | SFV8R-1/2STE1LF  | 28.4               | 24      | —       |
| 9                   | SFV9R-1/2STE1LF  | 28.4               | 24      | —       |
| 10                  | SFV10R-1/2STE1LF | 28.4               | 24      | —       |
| 11                  | SFV11R-1/2STE1LF | 28.4               | 24      | —       |
| 12                  | SFV12R-1/2STE1LF | 28.4               | 24      | —       |
| 13                  | SFV13R-1/2STE1LF | 28.4               | 24      | —       |
| 14                  | SFV14R-1/2STE1LF | 28.4               | 24      | —       |
| 15                  | SFV15R-1/2STE1LF | 28.4               | 24      | —       |
| 16                  | SFV16R-1/2STE1LF | 28.4               | 24      | —       |
| 17                  | SFV17R-1/2STE1LF | 28.4               | 24      | —       |
| 18                  | SFV18R-1/2STE1LF | 28.4               | 24      | —       |
| 19                  | SFV19R-1/2STE1LF | 28.4               | 24      | —       |
| 20                  | SFV20R-1/2STE1LF | 28.4               | 24      | —       |
| 21                  | SFV21R-1/2STE1LF | 28.4               | 24      | —       |
| 22                  | SFV22R-1/2STE1LF | 28.4               | 24      | —       |
| 23                  | SFV23R-1/2STE1LF | 36.4               | 32      | 28.4    |
| 24                  | SFV24R-1/2STE1LF | 36.4               | 32      | 28.4    |
| 25                  | SFV25R-1/2STE1LF | 36.4               | 32      | 28.4    |
| 26                  | SFV26R-1/2STE1LF | 36.4               | 32      | 28.4    |
| 27                  | SFV27R-1/2STE1LF | 36.4               | 32      | 28.4    |
| 28                  | SFV28R-1/2STE1LF | 36.4               | 32      | 28.4    |
| 29                  | SFV29R-1/2STE1LF | 36.4               | 32      | 28.4    |
| 30                  | SFV30R-1/2STE1LF | 36.4               | 32      | 28.4    |
| 31                  | SFV31R-1/2STE1LF | 48.4               | 44      | 40.4    |
| 32                  | SFV32R-1/2STE1LF | 48.4               | 44      | 40.4    |
| 33                  | SFV33R-1/2STE1LF | 48.4               | 44      | 40.4    |
| 34                  | SFV34R-1/2STE1LF | 48.4               | 44      | 40.4    |
| 35                  | SFV35R-1/2STE1LF | 48.4               | 44      | 40.4    |



NOTES

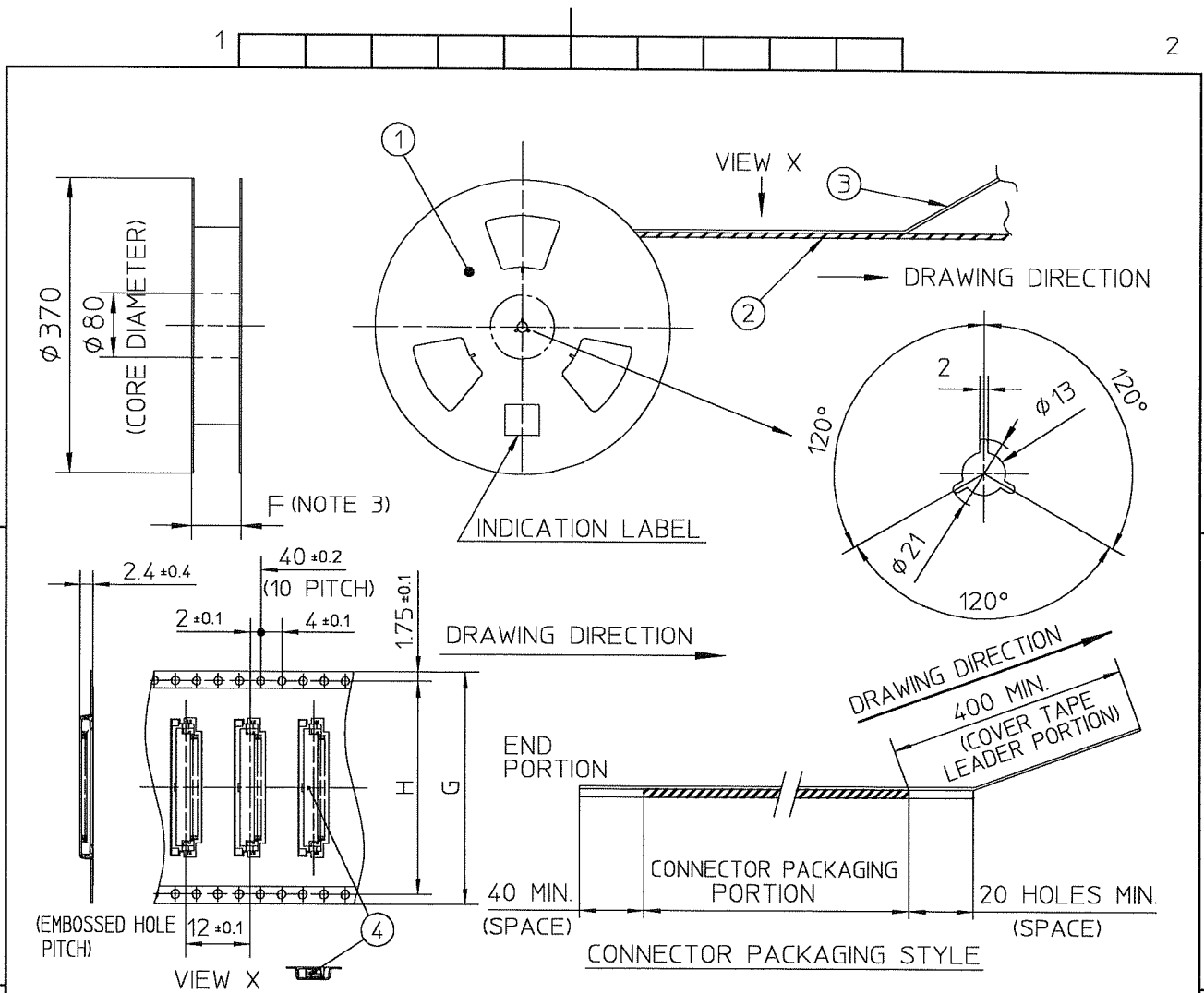
1. THIS PRODUCT IS THE CONNECTOR USED FOR FPC/FFC AND COPES WITH AUTOMATIC MOUNTING (SMT).
2. THIS CATALOG NO. INDICATES PLASTIC TAPE PACKAGED CONNECTOR.
3. SEE PART DRAWINGS FOR DIMENSIONS F~H.



Copyright FCI

|                          |  |                |  |                                       |  |                            |  |            |  |   |  |  |  |
|--------------------------|--|----------------|--|---------------------------------------|--|----------------------------|--|------------|--|---|--|--|--|
| mat'l. code              |  |                |  | surface ISO 1302 ✓                    |  | tolerance ISO 406 ISO 1101 |  | projection |  | product family 58EF   |  |  |  |
| ltr ecn no dr date       |  |                |  | tolerances unless otherwise specified |  | angles linear              |  | scale X    |  | title   |  |  |  |
| A J04-0462 H.T '04/12/17 |  |                |  |                                       |  |                            |  |            |  | CAT. NO. TABLE FOR PLASTIC TAPE PACKAGED 0.5 mm CONTACT SPACING CONNECTOR (Cat. No. : SFV__R-1/2STE1LF) |  |  |  |
| B J05-0227 H.T '05/11/14 |  |                |  |                                       |  |                            |  |            |  | dwg no sheet 1 of 1 size  |  |  |  |
| C J06-0372 H.T '06/9/17  |  |                |  |                                       |  |                            |  |            |  | JSA 96147 A4  |  |  |  |
|                          |  |                |  | dr                                    |  | 9/7/06                     |  | FCI        |  | type Product Customer Drawing   |  |  |  |
|                          |  |                |  | engr                                  |  | 9/7/06                     |  |            |  | Rev. C  |  |  |  |
|                          |  |                |  | chr                                   |  | 9/8/06                     |  |            |  |   |  |  |  |
|                          |  |                |  | appd                                  |  | 9/11/06                    |  |            |  |   |  |  |  |
| sheet index              |  | revision sheet |  | C 1                                   |  |                            |  |            |  |   |  |  |  |

SC-SFV03 JSA96144 form: A4



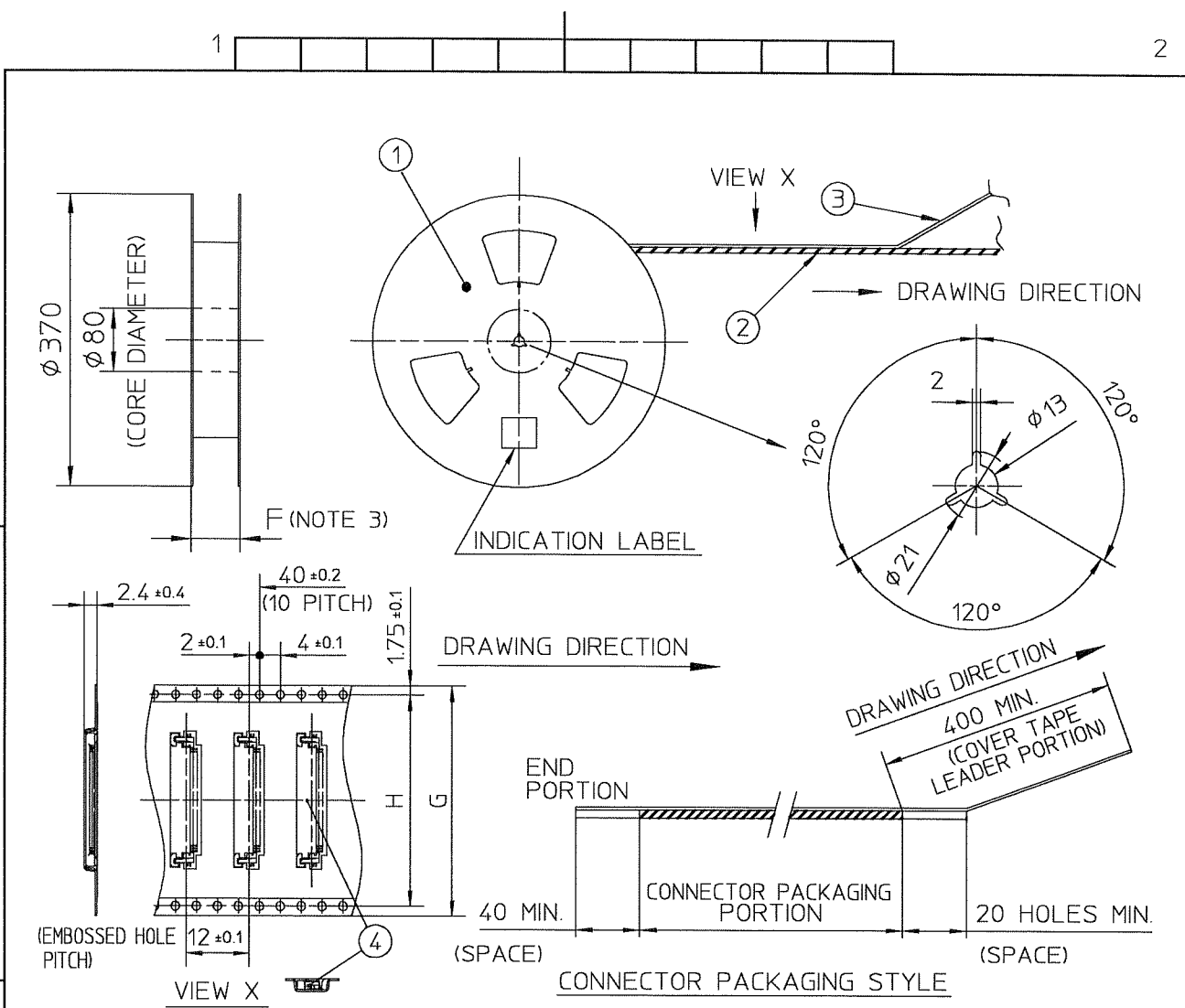
| PT. NO. | PARTS NAME            | CAT. NO.       | MATERIAL          | Q'TY | NOTE                 |
|---------|-----------------------|----------------|-------------------|------|----------------------|
| 1       | REEL                  | —              | CARDBOARD         | 1    | COLOR : WHITE        |
| 2       | PLASTIC (EMBOSS) TAPE | —              | A-PET             | —    | COLOR : TRANSPARENCY |
| 3       | COVER                 | —              | POLYESTER         | —    | COLOR : TRANSPARENCY |
| 4       | CONNECTOR             | SFV__R-1ST__LF | SEE ATTACHED DWG. | 3000 | LOWER CONTACT TYPE   |

NOTES

1. THIS IS PLASTIC TAPE PACKAGED CONNECTOR USED FOR FPC AND COPES WITH AUTOMATIC MOUNTING (SMT).
2. SEE JIS C 0806 (PACKING OF ELECTRONIC COMPONENTS ON CONTINUOUS TAPES (SURFACE MOUNTING DEVICES)) FOR SHAPE AND DIMENSIONS OF PLASTIC (EMBOSS) TAPE AND REEL.
3. F DIMENSION IS PORTION OF THE CORE.

|             |          |  |                    |                                       |        |                |  |   |        |    |
|-------------|----------|--|--------------------|---------------------------------------|--------|----------------|--|---|--------|----|
| mat'l. code |          | surface ISO 1302 <input checked="" type="checkbox"/> |                    | tolerance ISO 406 ISO 1101            |        | projection     |  | product family 58EF   |        |    |
| ltr         | ecn no   | dr   | date               | tolerances unless otherwise specified |        |                |  | title<br>PLASTIC TAPE PACKAGED<br>0.5 mm CONTACT SPACING CONNECTOR<br>(Cat. No. : SFV__R-1STE1LF) |        |    |
| A           | J04-0462 | H.T  | '04/12/17          | angles                                | linear |                |  |   |        | ±5 |
| B           | J05-0227 | H.T  | '05/4/14           | ±5°                                   |        | scale $\times$ |  | dwg no sheet 1 of 1 size  |        |    |
| C           | J06-0372 | H.T  | '06/9/17           |                                       |        |                |  | JSA 96148 A4  |        |    |
|             |          | dr   | <i>H. Ishikawa</i> | 9/7/06                                |        |                |  | type Product Customer Drawing   |        |    |
|             |          | engr   | <i>H. Ishikawa</i> | 9/7/06                                |        |                |  |   |        |    |
|             |          | chr  | <i>R. Shouji</i>   | 9/8/06                                |        |                |  |   |        |    |
|             |          | appd   | <i>S. Oda</i>      | 9/11/06                               |        |                |  |   |        |    |
| sheet index | revision | C  |                    |                                       |        |                |  |   | Rev. C |    |

SC-SFV03 JSA96144 form: A4



| PT. NO. | PARTS NAME            | CAT. NO.     | MATERIAL          | Q'TY | NOTE                 |
|---------|-----------------------|--------------|-------------------|------|----------------------|
| 1       | REEL                  | —            | CARDBOARD         | 1    | COLOR : WHITE        |
| 2       | PLASTIC (EMBOSS) TAPE | —            | A-PET             | —    | COLOR : TRANSPARENCY |
| 3       | COVER                 | —            | POLYESTER         | —    | COLOR : TRANSPARENCY |
| 4       | CONNECTOR             | SFV_R-2ST_LF | SEE ATTACHED DWG. | 3000 | UPPER CONTACT TYPE   |

NOTES

1. THIS IS PLASTIC TAPE PACKAGED CONNECTOR USED FOR FPC AND COPES WITH AUTOMATIC MOUNTING (SMT).
2. SEE JIS C 0806 (PACKING OF ELECTRONIC COMPONENTS ON CONTINUOUS TAPES (SURFACE MOUNTING DEVICES)) FOR SHAPE AND DIMENSIONS OF PLASTIC (EMBOSS) TAPE AND REEL.
3. F DIMENSION IS PORTION OF THE CORE.

|             |                |     |           |                                       |        |                            |  |                               |  |  |  |              |
|-------------|----------------|-----|-----------|---------------------------------------|--------|----------------------------|--|-------------------------------|--|--|--|--------------|
| mat'l. code |                |     |           | surface ISO 1302 ✓                    |        | tolerance ISO 406 ISO 1101 |  | projection                    |  | product family 58EF  |  |              |
| ltr         | ecn no         | dr  | date      | tolerances unless otherwise specified |        |                            |  |                               |  | title  |  |              |
| A           | J04-0462       | H.T | '04/12/17 | angles                                | linear | ±5                         |  |                               |  | PLASTIC TAPE PACKAGED 0.5 mm CONTACT SPACING CONNECTOR (Cat. No. : SFV__R-2STE1LF) |  |              |
| B           | J05-0227       | H.T | '05/4/14  |                                       |        | ±5°                        |  | scale X                       |  | dwg no   |  | sheet 1 of 1 |
| C           | J06-0372       | H.T | '06/9/7   | dr                                    |        |                            |  |                               |  | JSA 96149  |  | A4           |
|             |                |     |           | engr                                  |        |                            |  | type Product Customer Drawing |  |  |  |              |
|             |                |     |           | chr                                   |        |                            |  |                               |  |  |  | Rev.         |
|             |                |     |           | appd                                  |        |                            |  |                               |  |  |  | C            |
| sheet index | revision sheet | C   | 1         |                                       |        |                            |  |                               |  |  |  | Rev. C       |

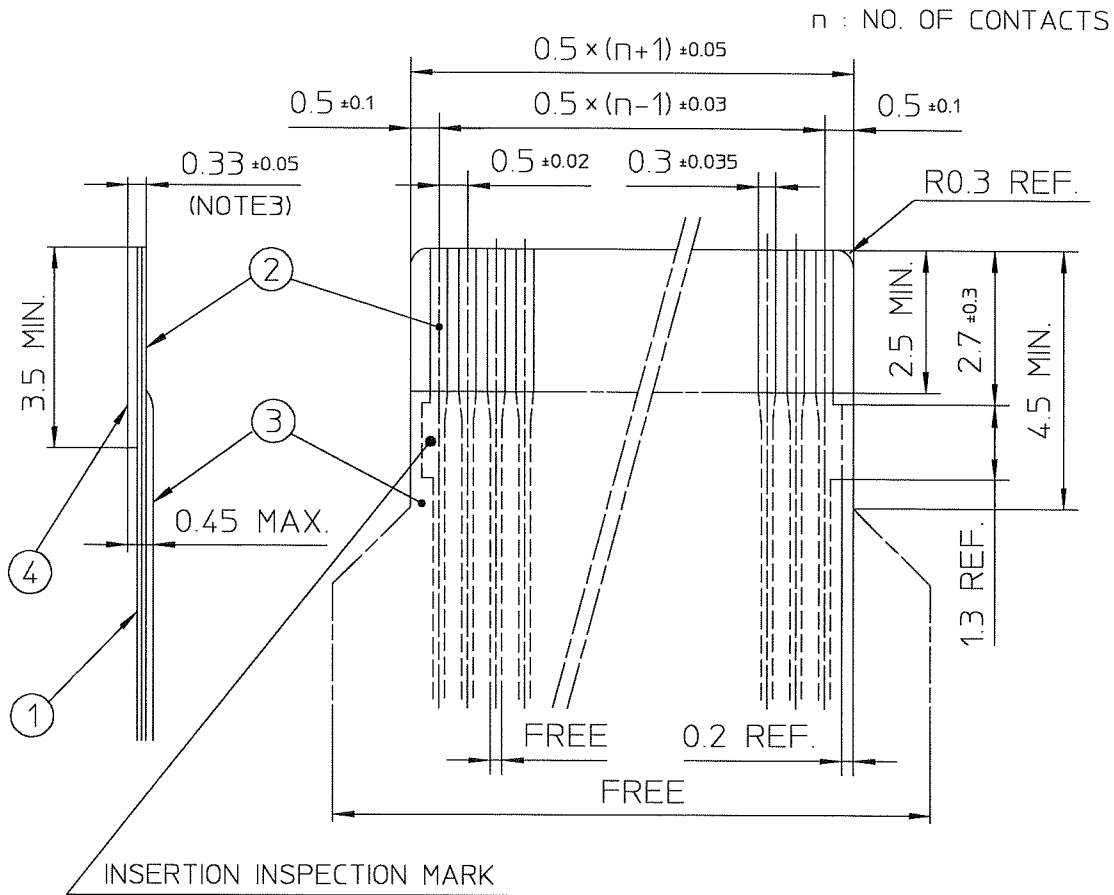
SC-SFV03 JSA96144 form: A4



FCJconnect.com

Copyright FCJ

RECOMMENDED CABLE (FPC)



| PT. NO. | PARTS NAME      | MATERIAL                               | THICKNESS(μm) |
|---------|-----------------|--|---------------|
| 1       | BASE FILM       | POLYIMIDE OR POLYESTER OR EQUAL        | 25            |
| 2       | CONDUCTOR       | COPPER FOIL(PLATING : SOLDER 1μm MIN.) | 35            |
| 3       | OVERLAY         | POLYIMIDE OR POLYESTER OR EQUAL        | —             |
| 4       | SUPPORTING TAPE | POLYESTER OR POLYIMIDE OR EQUAL        | 188           |

NOTES

1. NO BURR AT EACH PORTION.
2. NO PEELING IN COMMON USE.
3. TOTAL THICKNESS LIMIT OF EACH MATERIAL (INCLUDING ADHESIVE AGENT) IS SPECIFIED.

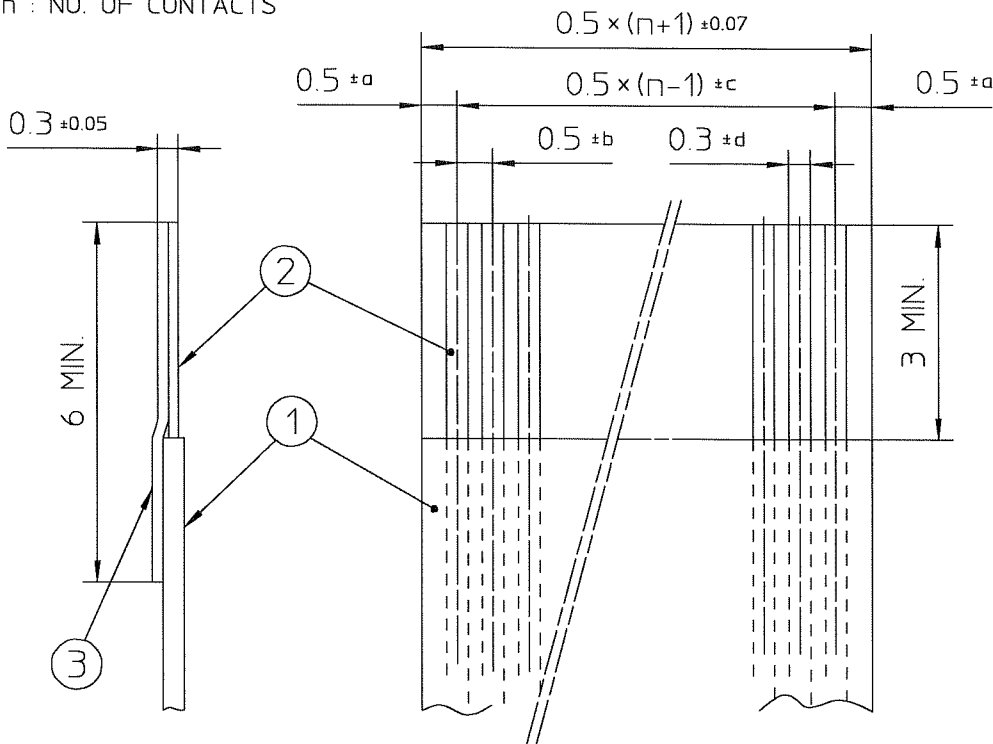
|                          |  |                |  |                                       |  |                            |  |            |  |                             |  |
|--------------------------|--|----------------|--|---------------------------------------|--|----------------------------|--|------------|--|-----------------------------|--|
| mat'l. code              |  |                |  | surface ISO 1302 ✓                    |  | tolerance ISO 406 ISO 1101 |  | projection |  | product family 58EF         |  |
| ltr ecn no dr date       |  |                |  | tolerances unless otherwise specified |  |                            |  |            |  | title                       |  |
| 1 — M.H '94/12/8         |  |                |  | angles linear                         |  |                            |  |            |  | RECOMMENDED CABLE           |  |
| AA J03-0196 H.T '03/5/1  |  |                |  |                                       |  |                            |  |            |  | (Cat. No. : SFV__R-1/2ST__) |  |
| AB J06-0372 H.T '06/9/17 |  |                |  |                                       |  |                            |  |            |  |                             |  |
|                          |  |                |  | dr <i>H. Shouji</i> 9/9/06            |  |                            |  |            |  | dwg no sheet 1 of 1 size    |  |
|                          |  |                |  | enr <i>H. Shouji</i> 9/7/06           |  |                            |  |            |  | JSA 92456 A4                |  |
|                          |  |                |  | chr <i>R. Shouji</i> 9/8/06           |  |                            |  |            |  |                             |  |
|                          |  |                |  | appd <i>S. Andama</i> 9/11/06         |  |                            |  |            |  |                             |  |
| sheet index              |  | revision sheet |  | AB 1                                  |  |                            |  |            |  | Rev. AB                     |  |

SC-SFV01 JSA92450 form: A4



RECOMMENDED CABLE (FFC)

n : NO. OF CONTACTS



| KIND OF FFC (NOTE3) | DIMENSIONAL TOLERANCE |       |       |        |
|---------------------|-----------------------|-------|-------|--------|
|                     | a                     | b     | c     | d      |
| 1                   | ±0.07                 | ±0.04 | ±0.05 | ±0.02  |
| 2                   | ±0.1                  | ±0.03 | ±0.03 | ±0.025 |

| PT. NO. | PARTS NAME      | MATERIAL                             | NOTE                                |
|---------|-----------------|--------------------------------------|-------------------------------------|
| 1       | INSULATOR       | FLAME RESISTING POLYESTER OR EQUAL   | _____                               |
| 2       | CONDUCTOR       | COPPER FOIL:THICKNESS<br>35 OR 50 μm | PLATING: TIN OR SOLDER<br>1 μm MIN. |
| 3       | SUPPORTING TAPE | FLAME RESISTING POLYESTER OR EQUAL   | _____                               |

NOTES

1. NO BURR AT EACH PORTION.
2. NO PEELING IN COMMON USE.
3. EITHER KIND1 OR KIND2 OF FFC CAN ACCEPT DIMENSIONAL TOLERANCE a,b,c AND d.

|             |                |     |           |                                       |                 |                            |  |            |           |  |              |         |      |
|-------------|----------------|-----|-----------|---------------------------------------|-----------------|----------------------------|--|------------|-----------|--|--------------|---------|------|
| mat'l. code |                |     |           | surface ISO 1302 ✓                    |                 | tolerance ISO 406 ISO 1101 |  | projection |           | product family 58EF                              |              |         |      |
| ltr         | ecn no         | dr  | date      | tolerances unless otherwise specified |                 |                            |  |            |           | title  |              |         |      |
| 1           | —              | S.I | '93/9/9   | angles                                |                 | linear                     |  | ← →        |           | RECOMMENDED CABLE<br>(Cat. No. : SFV__R-1/2ST__) |              |         |      |
| 2           | —              | M.H | '94/12/8  |                                       |                 |                            |  | scale X    |           |  |              |         |      |
| AA          | J03-0196       | H.T | '03/5/1   |                                       |                 |                            |  |            |           |  |              |         |      |
| AB          | J06-0372       | H.T | '06/9/7   | dr                                    | <i>K. Saito</i> | 11/27/06                   |  |            | dwg no    |  | sheet 1 of 1 |         | size |
| AC          | J06-0499       | H.T | '06/11/27 | enr                                   | <i>K. Saito</i> | 11/27/06                   |  |            | JSA 92457 |  |              |         | A4   |
|             |                |     |           | chr                                   | <i>R. Brown</i> | 11/27/06                   |  |            |           |  |              |         |      |
|             |                |     |           | appd                                  | <i>S. Madam</i> | 11/28/06                   |  |            |           |  |              |         |      |
| sheet index | revision sheet | AC  | 1         |                                       |                 |                            |  |            |           |  |              | Rev. AC |      |

SC-SFV01 JSA92450 form: A4